

SMA - 50 Ohm

Parts manufactured in a certified ISO 9002 facility

ELECTRICAL SPECIFICATIONS — FLEX CABLE

Impedance: 50 ohms
 Working Voltage: 500 VRMS @ sea level (RG-58)
 Working Voltage: 375 VRMS @ sea level (RG-316)
 Frequency range: 0-12.4 GHz

ELECTRICAL SPECIFICATIONS — SEMI-RIGID CABLE

Impedance: 50 ohms
 Working Voltage: 500 VRMS @ sea level
 Frequency range: 0-18 GHz

PLATING KEY

N - Nickel
 G - Gold
 SS-St. Steel

DIELECTRIC

T - Teflon

MECHANICAL SPECIFICATIONS

Mating: 1/4-36 threaded coupling
 Cabling: Clamp, crimp, and solder available
 Interface: Per MIL-STD-348A, Section 310

CABLE GROUPS

- A ---- RG-178, 178A, 178B, 196, 196A/U
- B ---- RG-174, 188, 188A, 316/U; Alpha 9174, 9316; Belden 8216, 83269, 83284, 84316; Times LMR-100A
- B1 -- RG-316/U Double Shield
- C ---- RG-58, 58A, 58C, 141, 141A; Belden 8219, 8240, 8259, 8262, 9201, 9203, 9310, 9311; CommScope BWC-195, BWC-195R, 0268; Times LMR-195
- C1 -- RG-55, 55A, 55B, 142, 142A, 142B, 223, 400/U; Alpha 9055, 9055B, 9223; Belden 8219, 9907, 83242, 84142
- C2 -- Alpha 9848; CommScope BWC-200, BWC-200R; Times LMR-200, MSI-229274, 9275, 9659, YR2393D; CommScope 5553, 5565, 5552, 5550, 5567, 5571
- I ---- RG-8/U Type; Belden 9913; CommScope BWC-400, BWC-400R, Cushcraft Ultralink TL93605; Times AA-5886, AA-6146, LMR-400, LMR-400 UltraFlex; T-COM-400
- M --- RG-122/U; Belden 82907, 88240, 89907; Motorola White Teflon; Times MSI-15
- SR0 .047 Semi Rigid; M17/151
- SR1 .085 Semi Rigid; RG-405/U; Belden 1671A
- SR2 .141 Semi Rigid; RG-402/U; Belden 1673A
- SR3 .250 Semi Rigid; RG-401/U
- X ---- RG-8X; Belden 9258; CommScope BWC-240, BWC-240R; Micro 8/U; Remeec 1600; Saxton 8315; Times LMR-240, LMR-240 UltraFlex

For a more complete listing of cable groups, please refer to pages 98-100.

PART #	FIG	DESCRIPTION	CBL GRP	NOTES	REPLACES OR EQUIVALENT TO	PLATING		
						BDY	P/C	DIE
RSA-3000-A	1	Male Crimp Plug	A	for RG-178/U		N	G	T
RSA-3000-B			B	for RG-174/U		N	G	T
RSA-3000-B1			B1	for RG-316/U Double Shield		N	G	T
RSA-3000-C	2		C	for RG-58/U		N	G	T
RSA-3000-C1			C1	for RG-142/U		N	G	T
RSA-3000-C2			C2	for Times LMR-200		N	G	T
RSA-3000-I	3		I	for Belden 9913 & Times LMR-400		N	G	T
RSA-3000-X	4		X	for RG-8X & Times LMR-240		N	G	T
RSA-3000-1B	1		B	for RG-174/U		G	G	T
RSA-3000-1B1		B1	for RG-316/U Double Shield		G	G	T	
RSA-3000-1C	2	C	for RG-58/U		G	G	T	
RSA-3000-7-B*	1	B	Stainless Steel, for RG-174/U		SS	G	T	

*Available on Special Order

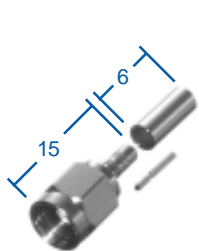


FIG. 1
 RSA-3000-A,
 -B, -B1, -1B, -1B1, -7-B

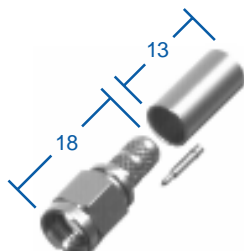


FIG. 2
 RSA-3000-C, -C1,
 -1C, -C2

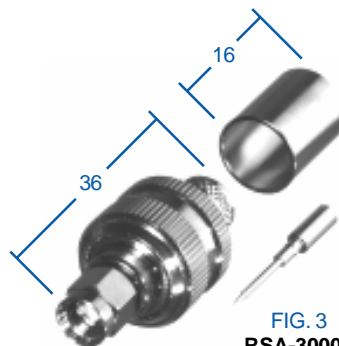


FIG. 3
 RSA-3000-I

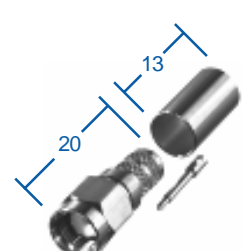


FIG. 4
 RSA-3000-X

We also offer reverse polarity, reverse thread and modified shell SMA connectors. Please see pages 23-25.