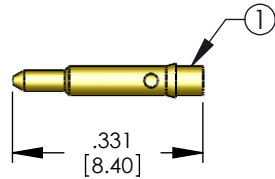
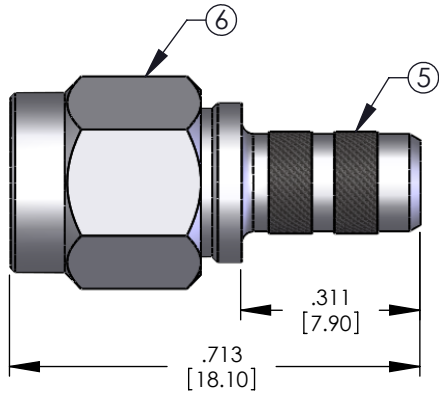
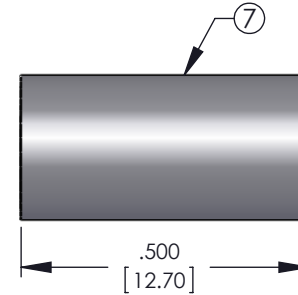


# RSA-3000-C

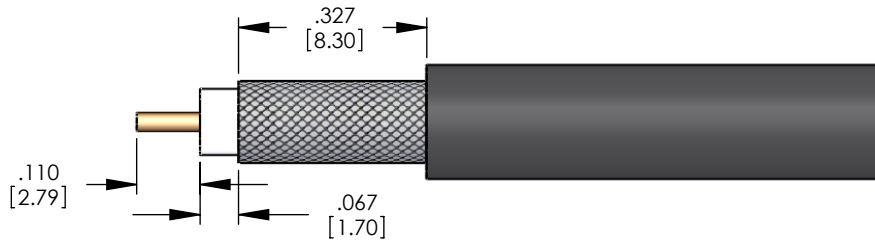
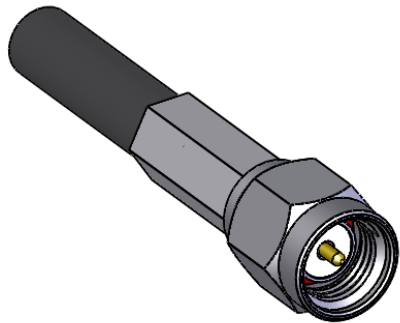
REV	DESCRIPTION	DATE	APPR
D	CHANGE CENTER CONDUCTOR STRIPPING DIMENSIONS	03/14/08	JDM



SOLDER ONLY



RECOMMENDED CRIMP DIE: .213"



RECOMMENDED STRIPPING DIMENSIONS

**SPECIFICATIONS:**

IMPEDANCE: 50 Ohms  
 FREQUENCY RANGE: 0-12.4 GHz  
 INSERTION LOSS(dB):  $0.06 \times \sqrt{f(\text{GHz})}$   
 VSWR: 1.3 MAX.  
 WORKING VOLTAGE: 500 V rms Max. @ Sea Level  
 INSULATION RESISTANCE: 5k M Ohms min.  
 TEMPERATURE RANGE: -65°C TO 85°C  
 FOR RG-58, 58A, 58C, 141, 141A, BELDEN 8240, 9907  
 8259, 8262, 9201, 9203, 9310, 9311 & COMM/SCOPE 0268

ITEM #	PART NUMBER	QTY.	DESCRIPTION	MATERIAL	FINISH
7	066-CXX-001-BN	1	FERRULE	Brass	NICKEL
6	012-30M-002-BN	1	SMA SHELL	Brass	NICKEL
5	001-30M-011-BN	1	BODY	Brass	NICKEL
4	027-30M-000-CX	1	RETAINING RING	BeCu	NONE
3	022-30M-001-LX	1	SMA GASKET	SILICONE RUBBER	NONE
2	010-30X-009-TX	1	INSULATOR	PTFE	NONE
1	009-30M-012-BG	1	SMA PIN	Brass	GOLD

<b>ROHS</b> COMPLIANT	NAME	DATE	<b>RF INDUSTRIES</b> 7610 MIRAMAR RD. SAN DIEGO, CA. 92126 858-549-6340 FAX 858-549-6345	
	DRAWN	C. ZUNIGA		08/29/13
	CHECKED			
UNLESS OTHERWISE SPECIFIED: DIMENSIONS ARE IN INCHES TOLERANCES: DIAMETERS ±.001 ANGULAR: MACH ±1° TWO PLACE DECIMAL ±.005 THREE PLACE DECIMAL ±.003 FINISH 63 <sup>V</sup> MAX.	ENG APPR.		TITLE:	
CABLE GROUP <b>C</b>	<b>PROPRIETARY AND CONFIDENTIAL</b>		<b>SMA PLUG, CRIMP</b>	
CODE 008974	THE INFORMATION CONTAINED IN THIS DRAWING IS THE SOLE PROPERTY OF RF INDUSTRIES. ANY REPRODUCTION IN PART OR AS A WHOLE WITHOUT THE WRITTEN PERMISSION OF RF INDUSTRIES IS STRICTLY PROHIBITED.		SIZE DWG. NO. REV <b>A</b> <b>RSA-3000-C</b> <b>D</b>	
	SCALE: NTS	NOTES:	SHEET 1 OF 1	