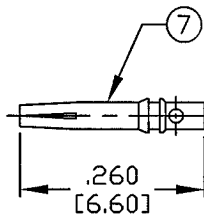
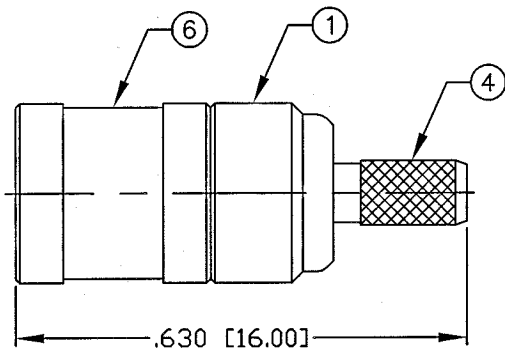


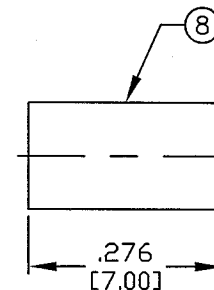
THIS DRAWING CONTAINS INFORMATION PROPRIETARY TO RF INDUSTRIES,
 ANY UNAUTHORIZED USE OF THIS DRAWING IS EXPRESSLY PROHIBITED
 WITHOUT WRITTEN PERMISSION FROM RF INDUSTRIES.
 ANY VIOLATION IS PUNISHABLE UNDER U.S. COPYRIGHT LAWS.

ALL DIMENSIONS ARE REFERENCE ONLY

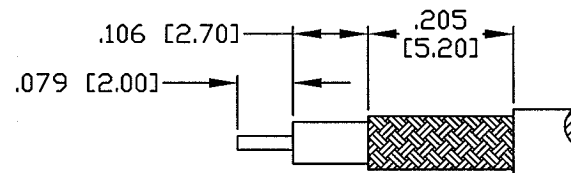
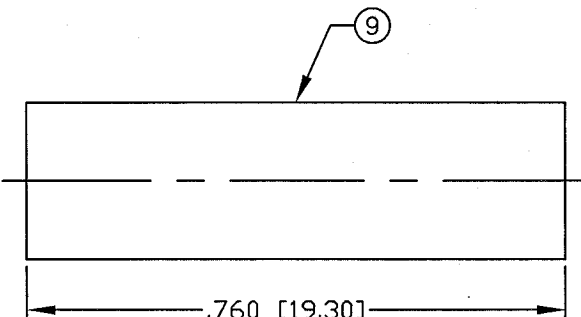
PART NO.		RSB-4000-1B		
REV	DESCRIPTION	DWN	DATE	APPROVED
-	ENGINEERING RELEASE	GGG	09/08/99	JDMc



RECOMMENDED
SOLDER ONLY



RECOMMENDED
CRIMP DIE .130



RECOMMENDED STRIPPING DIM'S

SPECIFICATIONS:

IMPEDANCE: 50 Ohms
 FREQUENCY RANGE: 0-4 GHz
 WORKING VOLTAGE: 335 V rms Max. @ Sea Level
 CONTACT RESISTANCE: 6 m Ohm
 INSULATION RESISTANCE: 1k M Ohms min.
 TEMPERATURE RANGE: -65°C TO 165°C
 FOR RG-174, 188, 188A, 316/U, ALPHA 9174, 9316,
 BELDEN 8216, 83269, 83284, 84316 & TIMES LMR-100A CABLE

1	BODY	1	BRASS	GOLD, 3 μ"
2	INSULATOR	1	PTFE	---
3	INSULATOR	1	PTFE	---
4	FERRULE STUD	1	BRASS	GOLD, 3 μ"
5	RETAINING RING	1	BeCu	---
6	SHELL	1	BRASS	GOLD, 3 μ"
7	CONTACT	1	BeCu	GOLD, 30 μ"
8	FERRULE	1	COPPER	GOLD, 3 μ"
9	TUBING	1	HEAT SHRINK	---
10				
11				
12				
13				
14				
#	DESCRIPTION	QTY	MATERIAL	FINISH

008974	
DRAWN	G. GALLEGOS 11/13/01
CHECKED	JDMc 11-15-01
ORJ DRAWN	G. GALLEGOS 11/13/01
APPROVALS	DATE

UNLESS OTHERWISE SPECIFIED:
 1. REMOVE ALL BURRS
 2. BREAK ALL CORNERS & EDGES .005 R. MAX.
 3. CHAMFER 1ST & LAST THREADS 45°
 4. SURFACE ROUGHNESS 63 FINISH MIL-STD-10
 5. DIAMETERS ON COMMON CENTERS TO BE CONCENTRIC WITHIN .002 T.I.R.
 6. ALL DIMENSIONS ARE AFTER PLATING.

DIMENSIONS ARE IN INCHES AND [MILLIMETERS]
 UNLESS OTHERWISE NOTED TOLERANCES ARE:
 DECIMALS DIAMETER
 .XXX±.003 [.08] .XXX±.001 [.03]
 .XX±.005 [.13]

RF connectors
 DIVISION OF RF INDUSTRIES, LTD.

7610 MIRAMAR RD
 SAN DIEGO, CA 92126
 (858) 549-6340
 (858) 549-6345 FAX

SMB PLUG, CRIMP

SIZE	CABLE GROUP	DWG NO.	REV
A	B	RSB-4000-1B	-
SCALE: NTS		CAD FILE OUTLINE	SHEET 1 OF 1