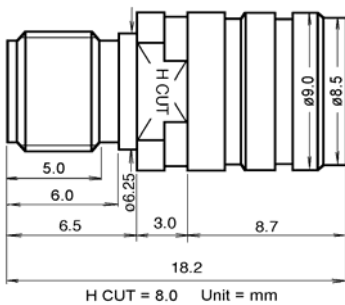


"SNAP-ON/PUSH-ON" SMA ADAPTER

PAT.



#RTM-CSMAP-AD18



* THREAD LESS SMA PLUG

- * Work **SNAP-ON** with Our SNAP-ON SMA Jack
- * Work **PUSH-ON** with Regular SMA Jack
- * SNAP-ON Type Plug
- * Recommend for testing SMA Jack mounted on the housing.
- * Not recommend for testing of PC Board.
- * Suitable for Blind Mate Connection in Narrow Space
- * Suitable for Test Line of finished goods.
- * Connecting Without Hand-Tool
- * No Twisting Torque / No Mechanical Stress
- * Life: > 3,000 Mates
- * Improve Productivity and Cost Saving

Electrical Specification

| | |
|-----------------|---|
| Freq. Range: | DC ~ 26.5GHz |
| Impedance: | 50 OHM |
| V.S.W.R.: | Max. 1.2 (DC~18GHz), Max. 1.3(18~26.5GHz) |
| Insertion Loss: | Max. 0.1dB (18GHz), Max. 0.2dB (26.5GHz) |

MILTRON
160 NETWORK ANALYZER

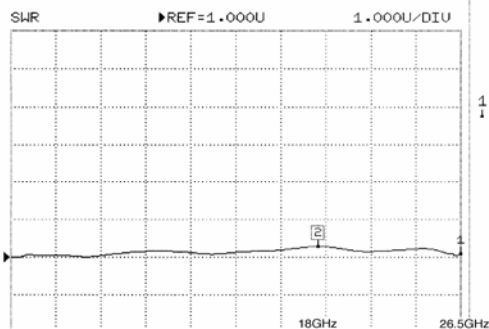
RTM-CSMP-AD18

Page 1

MODEL: DATE: OPERATOR: ERROR CORR: REFL ONLY
 DEVICE ID: OPERATOR: AVERAGING: 1 PTS
 SWEEP DATA: GATE START: - WINDOW: - IF BNDWIDTH: REDUCED
 START: 0.0400 GHz GATE STOP: -
 STOP: 26.4869 GHz GATE: -
 STEP: 79.9 MHz WINDOW: -

S-PARAMETER: -CH1-
 NORMALIZATION: S11 OFF
 REF DELAY: 0.000 ps
 SMOOTHING: 0.0 PERCENT
 DELAY APERTURE: -

S11 FORWARD REFLECTION



CH 1 - S:
0.000 PS
 MARKER 2
18.0974 GHz
1.286

MARKER TO
MARKER TO
1 26.4869 GHz
1.084

Mechanical Specification

| | |
|-----------------|--|
| Holding Torque: | 3Kg(6.6LB) +/- 500g(1.1LB) with SNAP-ON Jack. 2.5Kg(5.5LB) +/-500g (1.1LB) with regular Jack. |
| Standard: | MIL C39012 |
| Life: | > 3,000 Mates |

Material & Finish:

| | |
|-----------------|--------------------------------|
| Shell: | Stainless Steel (Passivate) |
| Outer Contact: | Beryllium Copper (Gold Plated) |
| Center Contact: | Beryllium Copper (Gold Plated) |
| Dielectric: | Teflon |

Improve Productivity! Cost Saving

RF TEC Mfg., Inc.

256 Commerce Dr. Suite 517, Peachtree City, GA 30269, U.S.A
 Tel: 770-487-2187 Fax: 770-486-9499
 e-mail: info@rftec.com http://www.rftec.com