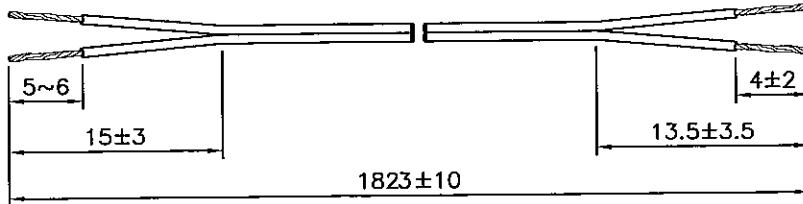
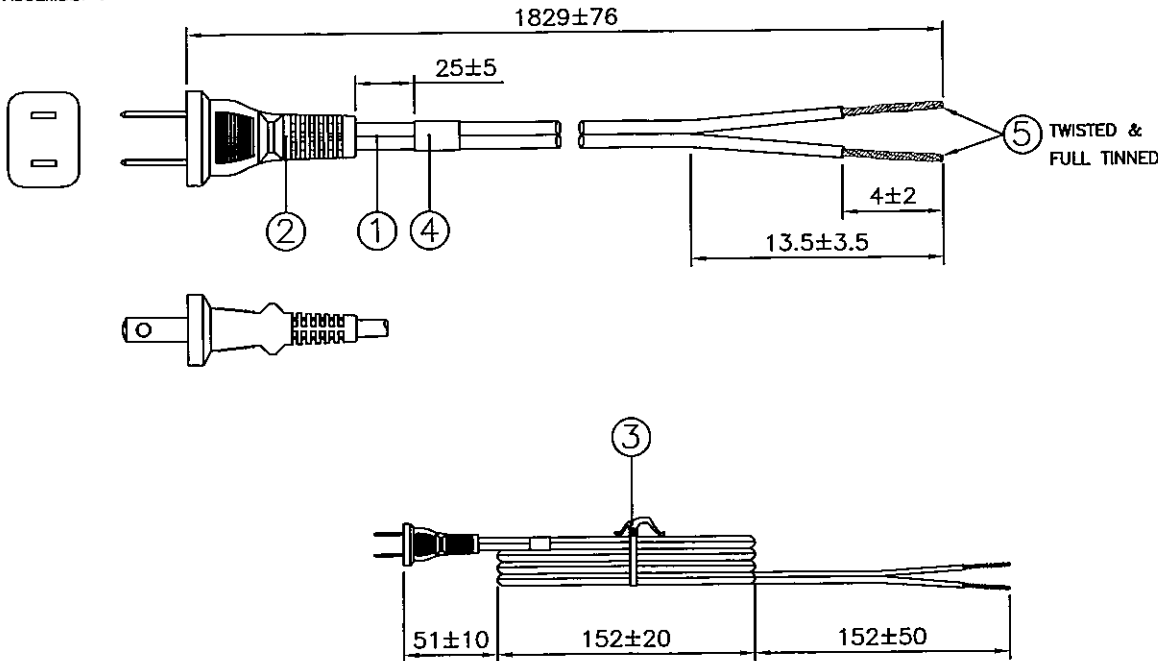


DRAWING NUMBER: REVISION:  
 1121684 E

CABLE CUTTING  
 CABLE SOURCE :  
 1. TA TUN(DONG GUAN).  
 2. VOLEX(BRIGHT).  
 3. VOLEX(EVER UNITED).



ASSEMBLY :



- Notes :
1. ALL DIMENSIONS IN mm.
  2. PLUG MARKING : REFER TO MARKING DRAWING NO. : VP-0101F.
  3. PLUG DETAILS : REFER TO PRODUCT DRAWING NO. : P-0164.
  4. LABEL DETAILS : REFER TO LABEL DRAWING NO. : VL-0234.
  5. THIS PART TO BE MANUFACTURED IN ZHONGSHAN (CHINA) ONLY.

REV.	ECR REF. NO.	DESCRIPTION	DATE
D	180657	CHANGE THE QTY OF CARTON PAPER '901024' FM. '0.0267' TO '0.0134 & 0.0134' AS SHOWN ON PAGE 2.	30/11/18
		ADD IN EPE FOAM '904335' AS ALTERNATE MATERIAL FOR THE TOP AND BOTTOM LAYER PADS ON PAGE 2.	
		ADD IN CABLE SOURCE OF 'VOLEX(BRIGHT)' & 'VOLEX(EVER UNITED)' ON PAGE 1.	
E	200499		22/09/20

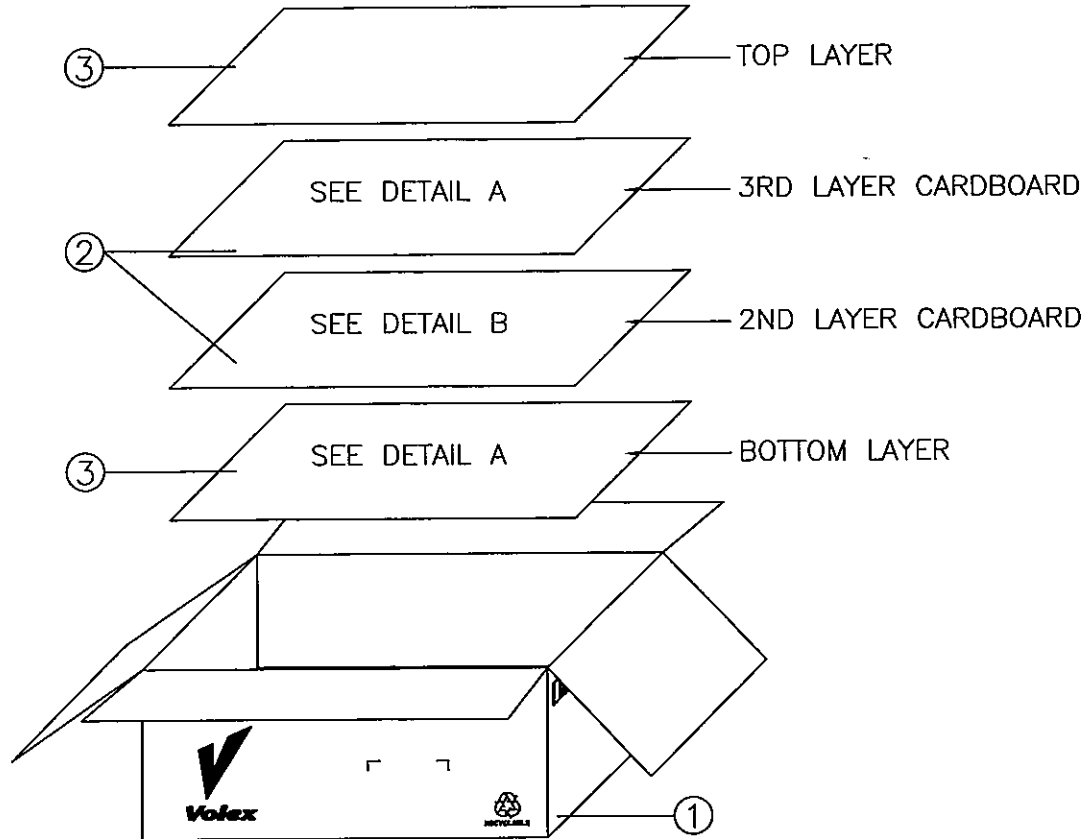
5	SOLDER BAR(SN/AG3.0)	915015	OR
	LEAD FREE SOLDER BAR(Sn96.5/Ag3.5)	915005	0.064g
4	PRINTED LABEL	VL-0234	1
3	6" PE TIE BLK	6310056	1
2	IP40G NL792B BLK	4100017	-
	MOLDED PLUG ME301R (10A 125V)	ME301R	1
1	HPN 18/2 105°C BLK	1610028	1.823M
S/N	DESCRIPTION	ITEM NUMBER	QTY

TITLE :		NORTH-AMERICAN POWER SUPPLY CORD (CS-LF0001)		PAGE : 1/2
CUSTOMER :		IEWC		HG10-128-14
CUSTOMER PART NUMBER :		RW5433 REV.B		DWG. TYPE
F/G CODE :		RW5433-AVW		MARK UP
SPEC NO.:		---		
SALES :	QA :	ENGRG :	CHECKED BY :	DRAWN BY :
N.A.	N.A.	Feng	AWJ	ALLIE
DATE :	DATE :	DATE :	DATE :	DATE :
N.A.	N.A.	22/10/20	22/9/20	22/09/20

**Volex (Asia) Pte Ltd**  
 Confidential property of Volex.  
 Information contained herein shall not be disclosed to others, reproduced or used for any other purposes except as authorized in writing by an authorized official of Volex Asia.

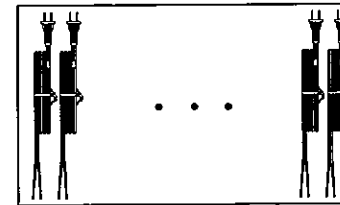
DRAWING NUMBER :

1121684

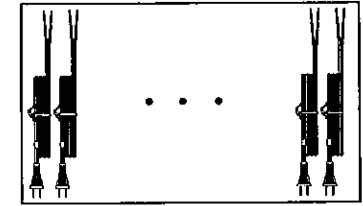


**PACKAGING INSTRUCTION**

1. 50 PCS PER LAYER, 3 LAYERS PER CARTON.
2. ALL CORDS LAYOUT AS DETAIL.
3. PACKAGING : 150 PCS PER CARTON.



DETAIL A



DETAIL B

**NOTE :**

1.) ALL DIMENSIONS IN mm.

3	EPE FOAM 550X315X3MM	904335	OR
3	CARTON PAPER 550X305MM	901024	0.0134
2	CARTON PAPER 550X305MM	901024	0.0134
1	LONG CARTON 560X330X250MM	901011	0.0067

S/N	DESCRIPTION	ITEM NUMBER	QTY
REVISION	E	TITLE :	
PAGE	2/2	PACKAGING SPEC.	
SCALE	N.T.S.	Volox (Asia) Pte Ltd	
REFERENCE :		Confidential property of Volox.	
DESCRIPTION : CARTON BOX		Information contained herein shall not be disclosed to others, reproduced or used for any other purposes except as authorized in writing by an authorized official of Volox Asia.	