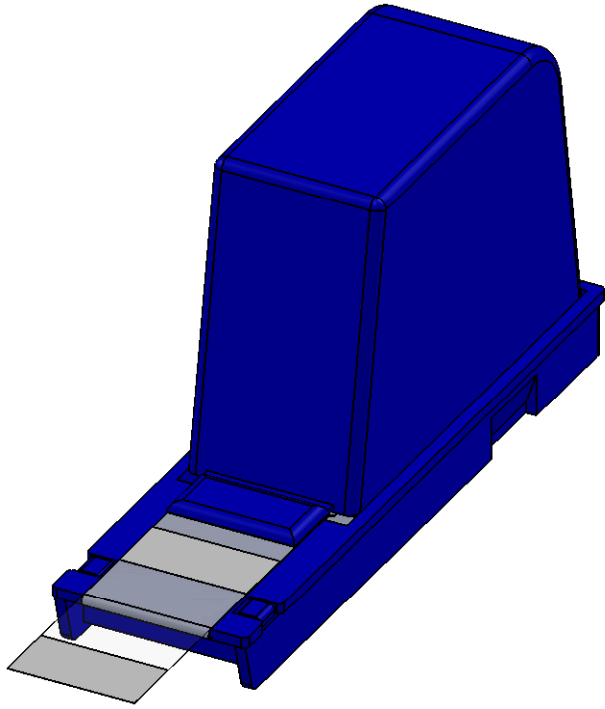
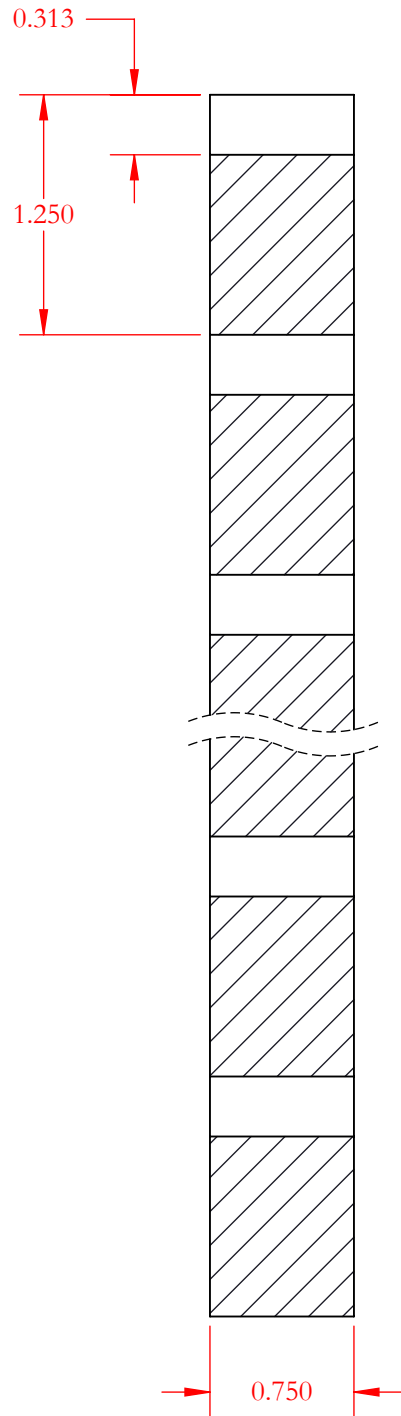


REVISIONS			
REV.	DESCRIPTION	DATE	APPROVED



Includes 300 labels per dispenser

Clear



DIMENSIONS ARE IN INCHES  
TOLERANCES:  
FRACTIONAL  $\pm 1/32$   
TWO PLACE DECIMAL  $\pm 0.01$   
THREE PLACE DECIMAL  $\pm 0.005$   
ANGLES:  $\pm 1^\circ$

# RWD-51

Description:	Write-On Self-Laminating Label Booklet			Width:	0.75	Margins:	0.00	<b>PROPRIETARY AND CONFIDENTIAL</b>  THIS DESIGN IS THE PROPERTY OF ACCESSIBLE PRODUCTS CO. AND SHALL NOT BE USED OR REPRODUCED WITHOUT WRITTEN CONSENT.
Customer:	-			Height:	1.25	Web Width:	0.75	
Material:	727	Liner:	50 lb.	Write on Height:	0.3125	Minimum Wire Size:	0.10	
Date:	4/27/2012	Drawn By:	R. Henry	Horizontal Repeat:	0.75	Maximum Wire Size:	0.30	
Dwg. Number:	RWD-51			Vertical Repeat:	1.25	Scale:	1:1	