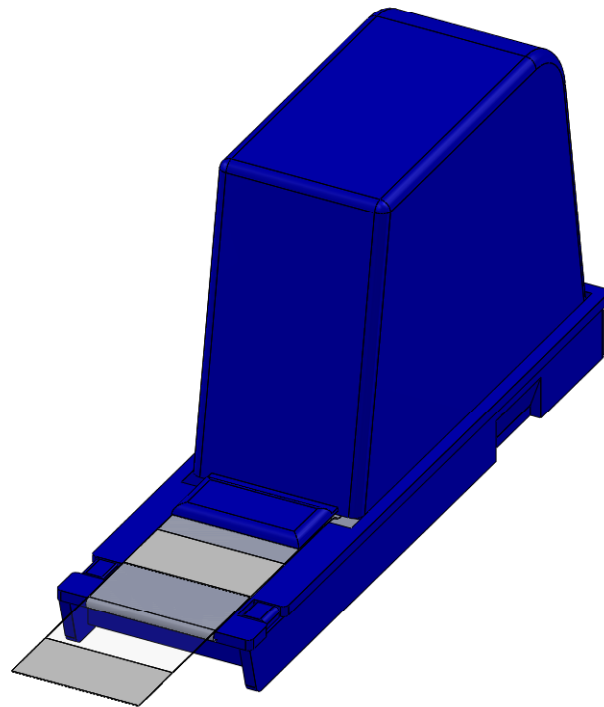
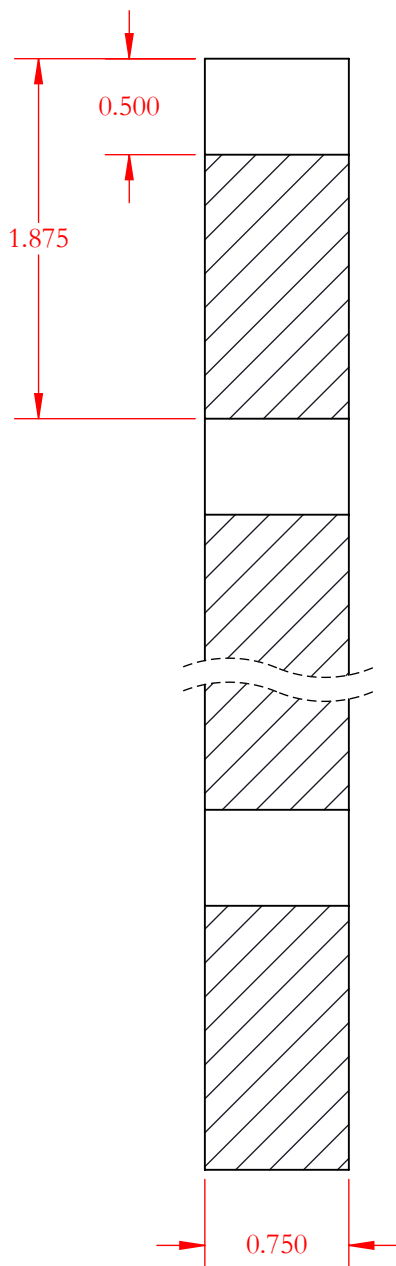


REVISIONS			
REV.	DESCRIPTION	DATE	APPROVED



Includes 150 labels per dispenser

 Clear



DIMENSIONS ARE IN INCHES
TOLERANCES:
FRACTIONAL $\pm 1/32$
TWO PLACE DECIMAL ± 0.01
THREE PLACE DECIMAL ± 0.005
ANGLES: $\pm 1^\circ$

RWD-52

Description:	Write-On Self-Laminating Label Booklet			Width:	0.75	Margins:	0.00	PROPRIETARY AND CONFIDENTIAL THIS DESIGN IS THE PROPERTY OF ACCESSIBLE PRODUCTS CO. AND SHALL NOT BE USED OR REPRODUCED WITHOUT WRITTEN CONSENT.
Customer:	-			Height:	1.875	Web Width:	0.75	
Material:	727	Liner:	50 lb.	Write on Height:	0.50	Minimum Wire Size:	0.16	
Date:	4/27/2012	Drawn By:	R. Henry	Horizontal Repeat:	0.75	Maximum Wire Size:	0.44	
Dwg. Number:	RWD-52			Vertical Repeat:	1.875	Scale:	1:1	