


**Middle Atlantic Products**

EXCEPTIONAL SUPPORT &amp; PROTECTION™

# SBX Series Wall Mount Enclosure



## Economical wall mount rack for small systems

### Features

- 7 space (12-1/4") and 10 space (17-1/2") racking height
- Removable backpan
- Standard locking front door swings 180 degrees
- Deep rail-to-door clearance provides flexibility unlike flush door designs
- 11-gauge threaded rack rails
- Large pull-box sized laser KO in backpan
- 14-3/4" cabinet depth, 1-1/2" door depth
- Attractive and durable black textured powder coat finish



### Architects' and Engineers' Specifications

EIA compliant 19" wall mount equipment rack shall be Middle Atlantic Products model # SBX-\_\_\_ (7,10). Overall dimensions of rack shall be 22.3" W x 17" D x \_\_\_ (15.5", 20.5"), H with \_\_\_ (7,10) rackspaces of useable height and 14.75" useable depth. Weight capacity of SBX-\_\_\_ (7,10) shall be \_\_\_ (75, 100) lbs. Rack shall be constructed of the following materials: top and bottom shall be 16-gauge steel, sides and door shall be 18-gauge steel, all rack elements shall be phosphate pre-treated and have a black powder coat finish. Rack shall come equipped with one pair of 11-gauge steel rackrail with tapped 10-32 mounting holes in universal EIA spacing with black e-coat finish and marked rackspaces. Rack shall include factory installed door with lock and key and security screws and security bit for tamper-proof backpan mating. Welded-on sides include vertical slotted vent pattern at top and bottom. Rack shall have four each on top and bottom 1/2" or 3/4" cable knockouts, and six cable knockouts on backpan, four 1-1/2" or 1", and 1/2" or 3/4". Rack shall have fan knockouts on top and bottom and allow for the

installation of up to two 4-1/2" fans. Rack shall be a two piece construction allowing for mounting of backpan to wall and preloading of rack, prior to installing rack to wall. SBX shall be GREENGUARD Indoor Air Quality Certified and GREENGUARD Gold Certified. SBX shall be RoHS EU Directive 2002/95/EC compliant. Rack shall be manufactured by an ISO 9001 and ISO 14001 registered company. Rack shall be warranted to be free from defects in materials or workmanship under normal use and conditions for the lifetime of the product.

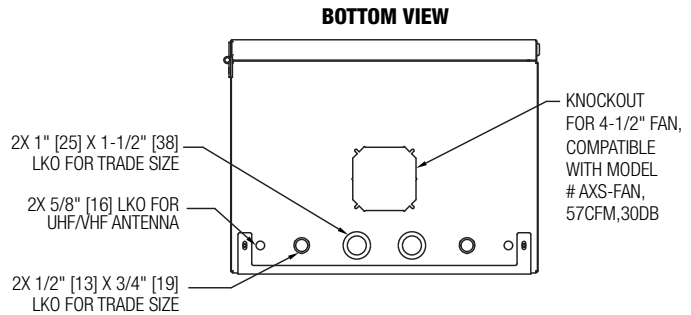
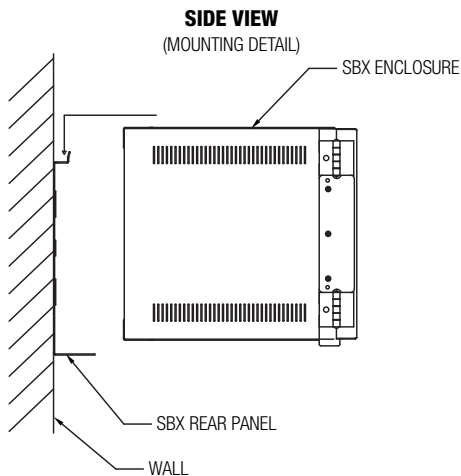
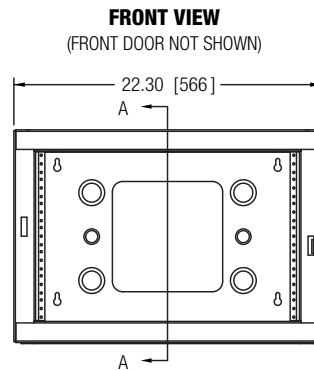
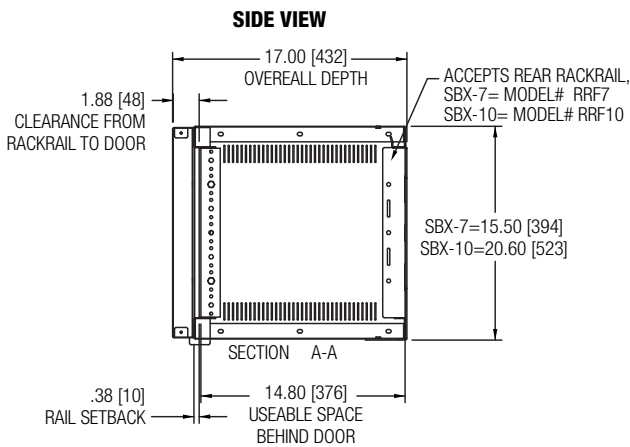
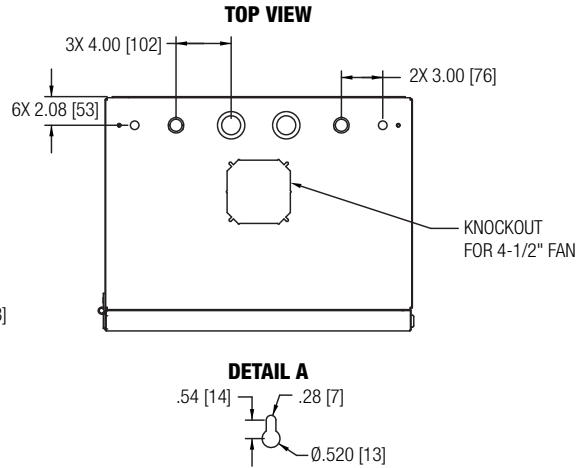
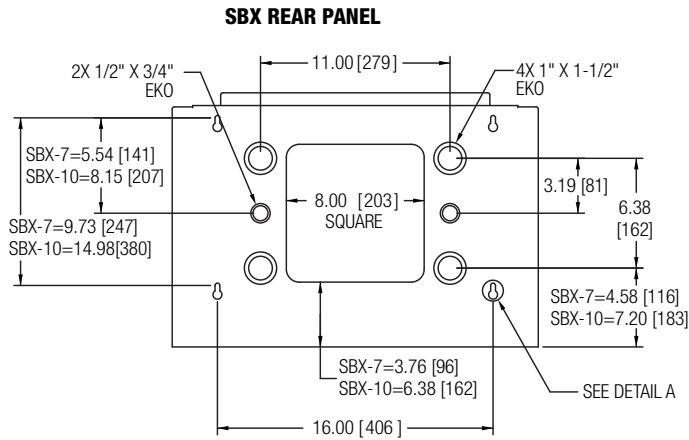
#### OPTIONS

- Fan shall provide 57CFM, 30Db, and be model # AXS-FAN
- Rear rail kit 11-gauge, 10-32 threaded, sold in pairs, shall be model # RREFX (7, 10)

**CUSTOMIZABLE SPECIFICATION CLIPS AVAILABLE AT MIDDLEATLANTIC.COM**

# SBX Series basic dimensions

All dimensions in inches unless otherwise noted [All dimensions in bracket are in millimeters]



Part #	Racking Height	Weight Capacity
SBX-7	12-1/4" (7 space)	75 lbs.
SBX-10	17-1/2" (10 space)	100 lbs.

