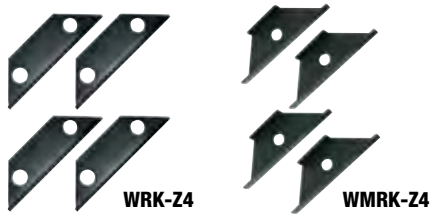


# Enclosure Options

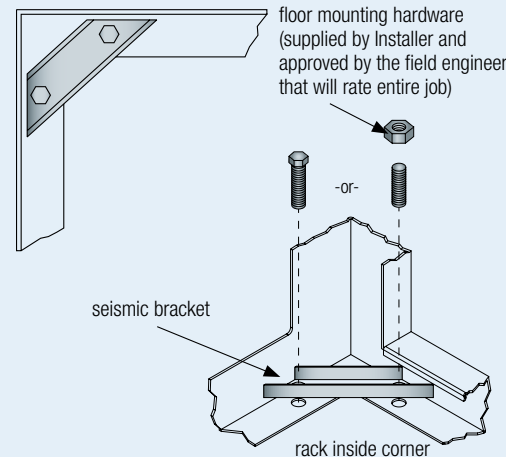
## Seismic Floor Anchor Brackets

When properly installed, seismic floor anchor brackets bring any Seismic Certified DRK, WRK, MRK, VMRK, VRK, ERK, SC, SCQ, SCRK, SCQRK and WMRK Series enclosure to applicable Zone 4, Seismic Design Category (SDC) "D" and Seismic Use Group III Upper Floor Essential Equipment rating and have an  $I_p$  rating of 1.5. Includes four brackets.

| Part #  | Fits                        |
|---------|-----------------------------|
| WRK-Z4  | WRK Series                  |
| MRK-Z4  | MRK, DRK, VMRK Series       |
| VRK-Z4  | VRK Series                  |
| ERK-Z4  | ERK Series                  |
| SC-Z4   | SC, SCQ, SCRK, SCQRK Series |
| WMRK-Z4 | WMRK Series                 |



**BGR and EGR options are shown on rack series pgs.**

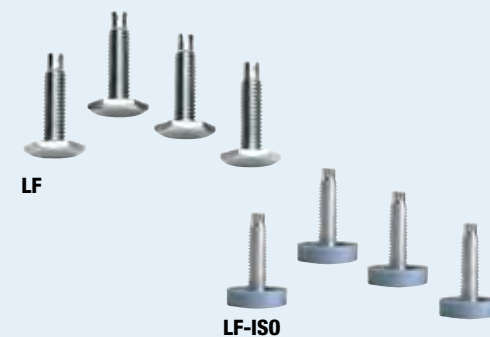


## Leveling Feet

Adjustable leveling feet fit Middle Atlantic Products floor standing steel racks and enclosures (excludes VRK Series). Isolation Leveling Feet feature protective rubber cover to isolate racks from the floor. Flat-blade and hex drive allows for adjustment. Also can be used in conjunction with recessed caster bases for MRK, WRK & DRK Series racks. Set of four. NOTE: Raises enclosure from 1/8" to 1" off floor.

| Part #  | Description                  |
|---------|------------------------------|
| LF      | leveling feet                |
| LF-ISO  | isolation leveling feet      |
| LF-WMRK | WMRK isolation leveling feet |

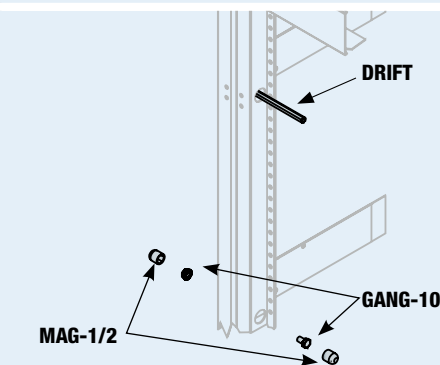
**BGR and EGR options are shown on rack series pgs.**



## Ganging Hardware

Time-saving ganging hardware provides easy field alignment and joining of multi-bay enclosures. Available hardware includes drift pins, 1/2" magnetized sockets and enough 5/16" flange nuts and bolts to gang up to 10 racks or consoles.

| Part #   | Description                                      |
|----------|--|
| DRIFT    | set of two tapered drift pins                    |
| MAG-1/2  | set of two 1/2" magnetic sockets                 |
| GANG-10  | 5/16" nuts/bolts to gang 10 racks or consoles    |
| GANG-10T | 5/16" bolts for ganging BGR via threaded inserts |



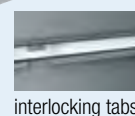
## Side Panels

The new sides (37 spaces and above) are horizontally split with an easier to manage interlocking design. Same user-installed keylock option for additional security if desired – as is the standard on all our universal side panels. NOTE: Each side panel adds 5/8" to width of rack.

| Part #     | Description          | Fits                                  | Part #     | Description          | Fits                                  |
|------------|----------------------|---------------------------------------|------------|----------------------|---------------------------------------|
| SPN-24-267 | 2 full-height panels | fits racks 24 space & 26" or 27" deep | SPN-42-48  | 4 half-height panels | fits racks 42 space & 48" deep        |
| SPN-24-312 | 2 full-height panels | fits racks 24 space & 31" or 32" deep | SPN-44-267 | 4 half-height panels | fits racks 44 space & 26" or 27" deep |
| SPN-24-36  | 2 full-height panels | fits racks 24 space & 36" deep        | SPN-44-312 | 4 half-height panels | fits racks 44 space & 31" or 32" deep |
| SPN-37-267 | 4 half-height panels | fits racks 37 space & 26" or 27" deep | SPN-44-36  | 4 half-height panels | fits racks 44 space & 36" deep        |
| SPN-37-312 | 4 half-height panels | fits racks 37 space & 31" or 32" deep | SPN-44-423 | 4 half-height panels | fits racks 44 space & 42" or 43" deep |
| SPN-40-267 | 4 half-height panels | fits racks 40 space & 26" or 27" deep | SPN-45-36  | 4 half-height panels | fits racks 45 space & 36" deep        |
| SPN-40-312 | 4 half-height panels | fits racks 40 space & 31" or 32" deep | SPN-45-42  | 4 half-height panels | fits racks 45 space & 42" deep        |
| SPN-42-36  | 4 half-height panels | fits racks 42 space & 36" deep        | SPN-45-48  | 4 half-height panels | fits racks 45 space & 48" deep        |
| SPN-42-42  | 4 half-height panels | fits racks 42 space & 42" deep        | SPN-54-312 | 4 half-height panels | fits racks 54 space & 31" deep        |



2 piece side panels (lock in top panel is not shown)



interlocking tabs



# High Security Monitoring Consoles

## Steel Welded Consoles Ship from Stock

### Structural Features

- Heavy-duty 14-gauge fully welded construction provides a 1,500 lb. weight capacity per bay
- Unique 'zero-space' wedge allows consoles to connect corner-to-corner, requiring no additional space
- Front and rear rackrail standard
- Innovative slide out and rotating equipment rack available, provides convenient rear access to equipment connections
- Pre-installed leveling feet provide height adjustment
- Available in a durable textured black powder coat finish



EIA/TIA Compliant

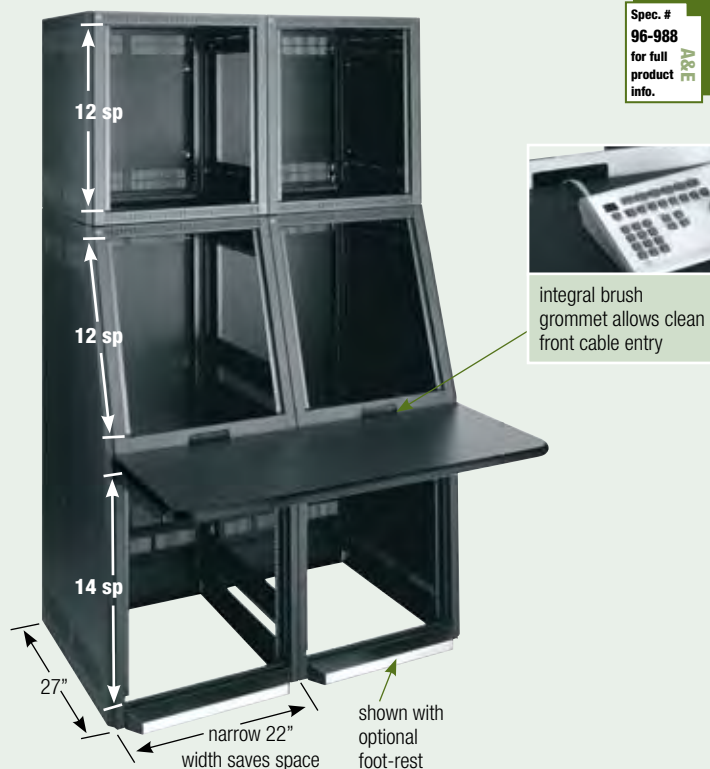


### Code Compliancy

- Seismic Certified to the 1997 UBC and 2001 CBC Seismic Zone 4 and the 2000 IBC, 2003 IBC, 2002 ASCE Standard 7, and NFPA 5000 Seismic Use Group III lateral force requirements for protecting 375 lbs. of essential equipment in upper floor installations when used with optional SC-Z4 (see pg. 31) seismic floor anchor brackets with an  $I_p$  value of 1.5 (does not include '-S' consoles with the slide out rotating rack bay)
- Grounding/bonding stud in base of console facilitates the proper grounding and bonding of electronic equipment, as per NEBS
- Base console UL Listed in the US and Canada

## The Convective Series™

Spec. #  
**96-988**  
for full  
product  
info.  
A&E



integral brush grommet allows clean front cable entry

Monitoring consoles provide advanced functionality at a competitive price and have been engineered to provide natural, convective cooling to extend equipment life and reduce maintenance.

### Thermal Management

- Keylocked lift-off side panels and rear doors feature engineered ventilation locations to facilitate convective cooling

## The Quiet-Cool Series™

Spec. #  
**96-989**  
for full  
product  
info.  
A&E

ships full assembled



Monitoring consoles ideal for use in isolating noise created by DVRs, hard drive arrays and other equipment, which can have detrimental effects on the operator's attention and critical decision making ability. Engineered active thermal management ensures equipment stays cool, extending equipment life and reducing maintenance requirements.

### Thermal Management

- Keylocked lift-off solid side panels help manage airflow, and includes acoustic dampening material for sound isolation
- Standard gasketed front and rear doors provide sound isolation from noisy equipment, ensure effective thermal management, and feature a 3-point lock for security

For full ordering info, please visit [www.middleatlantic.com/sec/orderGuide.htm](http://www.middleatlantic.com/sec/orderGuide.htm)

High Security Monitoring Consoles



# SCRK/SCQRK Series Enclosures

The SCRK/SCQRK Series 19" enclosures complement Quiet-Cool Series™ and Convective Series™ Monitoring Consoles. Available in full height and short versions, these enclosures can be used stand-alone or ganged to a console bay. (Quiet-Cool Series only available in short version)

## Structural Features

- Fully welded construction, combined with 16-gauge steel tops, bottoms, and sides, provides a 2,500 lb. weight capacity
- Locking rear door standard for additional security. SCQRK Series also includes locking gasketed solid front door
- Available with innovative slide out and rotating rack bay which provides convenient rear access to equipment connections
- Standard front and rear adjustable 11-gauge, 10-32 threaded rackrail with numbered rackspace increments to speed equipment mounting
- Pre-installed leveling feet allow height adjustment
- Available in a durable textured black powder coat finish

## Thermal Management

- SCQRK features gasketed front and rear doors, acoustic dampening material and fans for active thermal management
- Front and side ventilation locations on SCRK optimize passive convection
- Configurable open top on 44 space SCRK comes with standard vented top for passive thermal management, additional top options available

## Cable Management

- Laser knockouts for cable pass-through & ganging, aligns with all SCRK/SCQRK consoles
- 1/2", 5/8", 3/4", 1" and 1-1/2" electrical knockouts found on removable split rear plates, top knockout plate additionally includes 1/2" 'D' UHF/VHF antenna knockouts
- Multiple lacing points and slotted rail brackets add cable management convenience to SCRK/SCQRKs
- Removable rear plates allow cable bundles to be easily passed over or under the standard key-locking rear door

## Code Compliance

- Grounding/bonding stud in the base of enclosure facilitates proper grounding and bonding of electronic equipment, as per NEBS and NEC standards
- Seismic Certified to the 1997 UBC and 2001 CBC Seismic Zone 4 and the 2000 IBC, 2003 IBC, 2002 ASCE Standard 7, and NFPA 5000 Seismic Use Group III lateral force requirements for protecting 750 lbs. of essential equipment in upper floor installations when used with optional SC-Z4 (see pg. 31) seismic floor anchor brackets with an Ip value of 1.5 (does not include '-S' racks with the slide out rotating rack bay)
- UL Listed in the US and Canada



SCRK-4427BK



SCQRK-442BK shown ganged to console bays with custom top option

| SCRK Convective Series Enclosures |                    |                |                   |                                      |                 |               |
|-----------------------------------|--------------------|----------------|-------------------|--------------------------------------|-----------------|---------------|
| Part #                            | Racking Height     | Overall Height | Recommended Power | Includes Slide Out Rotating Rack Bay | Weight Capacity | Useable Depth |
| SCRK-1327BK                       | 22-3/4" (13 space) | 27-3/4"        | <b>C</b>          | no                                   | 2,500 lbs.      | 24"           |
| SCRK-1327BK-S                     | 22-3/4" (13 space) | 27-3/4"        | <b>C</b>          | yes**                                | 200 lbs.        | 23"           |
| SCRK-4427BK                       | 77" (44 space)     | 81-7/8"        | <b>N P R T</b>    | no                                   | 2,500 lbs.      | 24"           |

| SCQRK Quiet-Cool Series Enclosures |                    |                |                   |                                      |                 |               |
|------------------------------------|--------------------|----------------|-------------------|--------------------------------------|-----------------|---------------|
| Part #                             | Racking Height     | Overall Height | Recommended Power | Includes Slide Out Rotating Rack Bay | Weight Capacity | Useable Depth |
| SCQRK-1327BK                       | 22-3/4" (13 space) | 27-3/4"        | <b>C</b>          | no                                   | 2,500 lbs.      | 24"           |
| SCQRK-1327BK-S                     | 19-1/4" (11 space) | 27-3/4"        | <b>C</b>          | yes**                                | 200 lbs.        | 23"           |

\*\*Models w/ slide out rotating rack bay include factory-installed foot-rests

For SCRK/SCQRK Series enclosure options, please visit [www.middleatlantic.com/sec/scrk\\_Opt.htm](http://www.middleatlantic.com/sec/scrk_Opt.htm)

SCRK/SCQRK Series Enclosures

