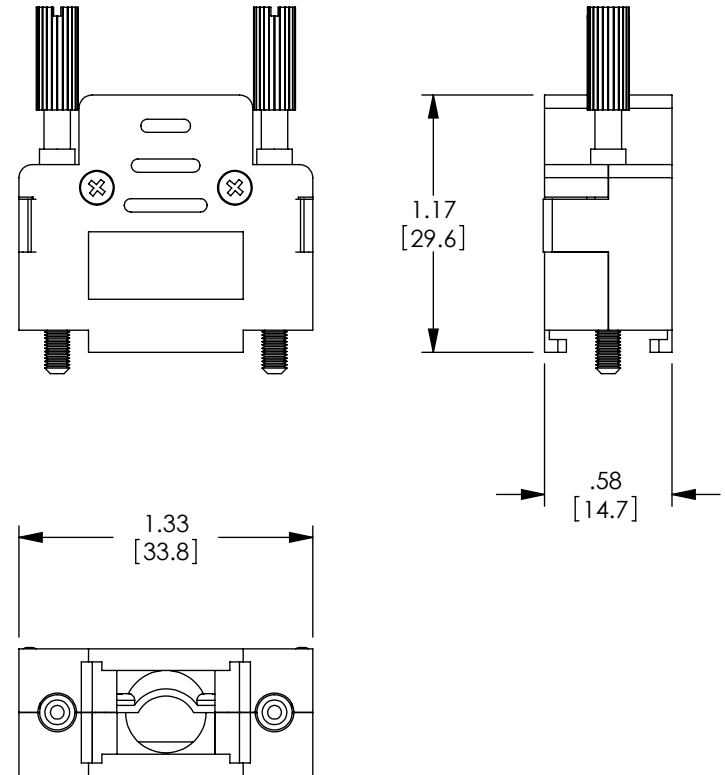
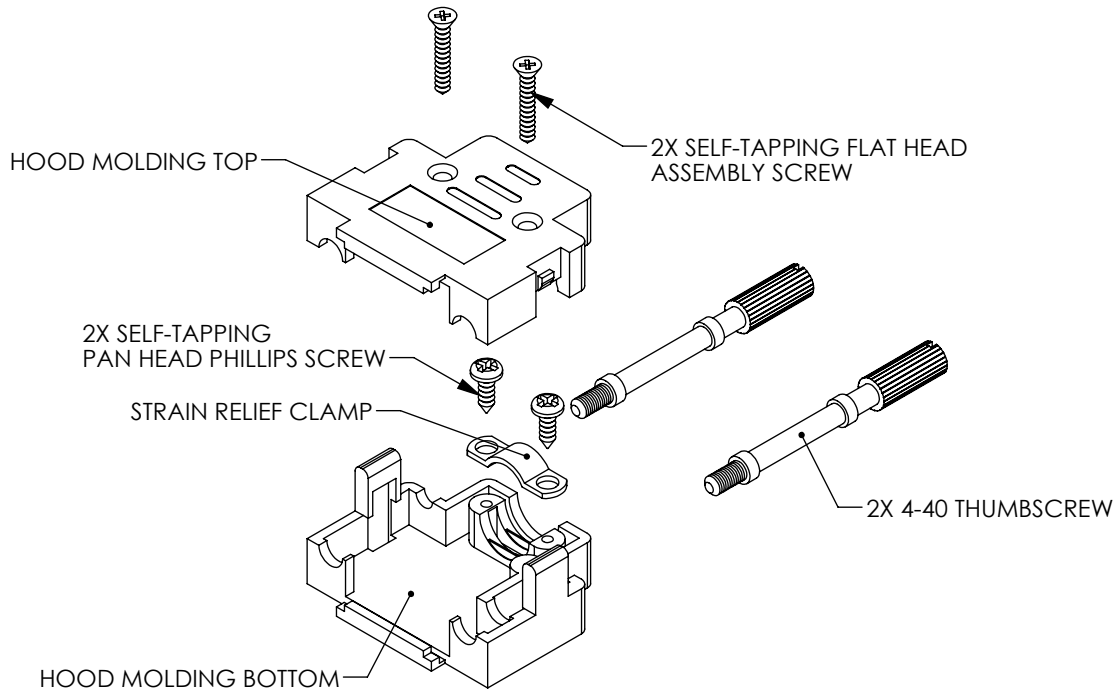


THE INFORMATION CONTAINED IN THIS DRAWING IS THE SOLE PROPERTY OF L-COM, INC. ANY REPRODUCTION IN PART OR WHOLE WITHOUT THE WRITTEN PERMISSION OF L-COM, INC. IS PROHIBITED.

REVISIONS			
REV	DESCRIPTION	DATE	APPROVED
A	INITIAL RELEASE	6/1/2004	T. CLARK
B	ECN 4624: REVISED MATERIALS AND FINISHES, NEW FORMAT	3/19/10	D. FRISIELLO



NOTES:

MATERIAL:
 HOOD MOLDING: ABS THERMOPLASTIC
 THUMBSCREW: STEEL
 SELF-TAPPING SCREW: STEEL
 STRAIN RELIEF CLAMP: STEEL

FINISH:
 HOOD MOLDING: METALIZED, CHROME ALL SURFACES
 THUMBSCREW: NICKEL PLATED
 SELF-TAPPING SCREW: NICKEL PLATED
 STRAIN RELIEF CLAMP: NICKEL PLATED

COMPONENT ASSEMBLY SHALL BE INDIVIDUALLY PACKAGED IN ACCORDANCE WITH L-COM SPECIFICATION PS-0031.

ALL DIMENSIONS ARE FOR REFERENCE ONLY.

RoHS Compliant ✓

UNLESS OTHERWISE SPECIFIED, DIMENSIONS ARE IN INCHES [mm] DIMENSIONAL TOLERANCES: .X = ±.1 .XX = ±.02 .XXX = ±.005 ANGULAR TOLERANCES: ALL = ± 1°	APPROVALS T. CLARK CHECKED BY D. PARHAM APPROVED BY R. CARRICK	DATE 5/24/2004 6/1/2004 6/1/2004		45 BEECHWOOD DRIVE NORTH ANDOVER, MA 01845	
	CATEGORY DATA		PRODUCT DESCRIPTION DB9/HDB15 METALLIZED HOOD KIT		
	CONFIGURATION DETAILS OF UNDIMENSIONED FEATURES MAY VARY		SIZE A	FSCM NO. 43321	DWG. NO. SDRS09HOT
	PROJECTION 		COLOR VARIATIONS MAY OCCUR		REV. B
SCALE: NONE			CAD FILE: SDRS09HOT.SLDDRW		
				SHEET 1 OF 1	