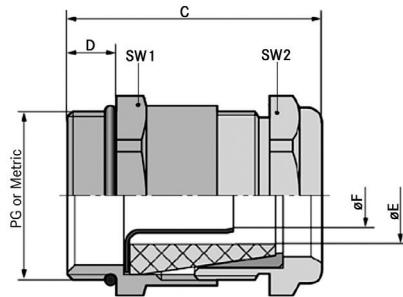


SKINDICHT® SHVE Cable Clamp

Nickel-Plated Brass Strain Relief with Earthing Sleeve for EMI Protection, PG & Metric Thread

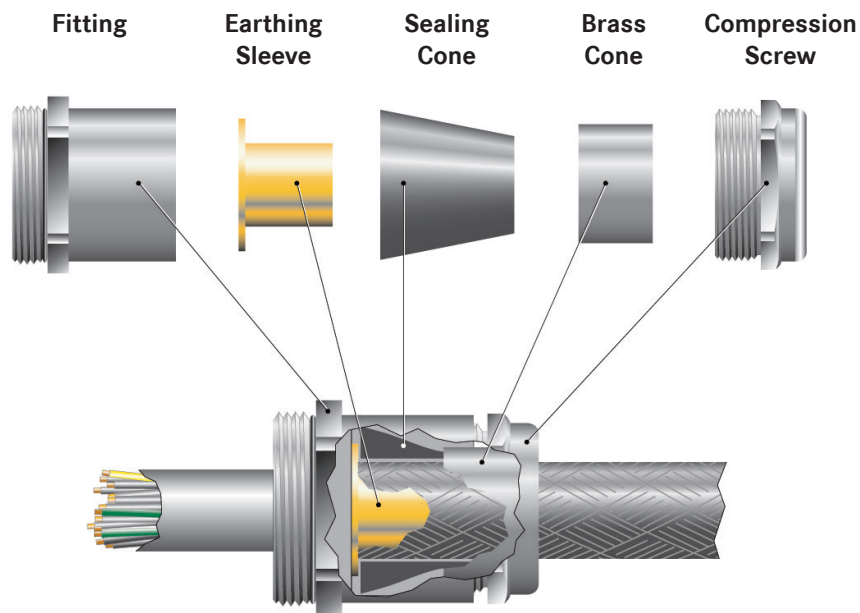


The SKINDICHT® SHVE is a compact strain relief cable gland with a cylindrical grounding sleeve designed to provide maximum EMC protection when used with copper- and steel-shielded cables.

Application Advantage

- Provides excellent EMI protection
- The inner sealing cone prevents the entry of dust, moisture, and oil

Approvals



Technical Data

Material:		Locknuts:	Add SM locknuts, page 545
- Body:	Nickel-plated brass	Temperature Range:	-20°C to +80°C
- Earthing sleeve:	Polished brass	IP Protection:	IP68, 10 bar
- Sealing cone:	CR		
- O-ring:	Perbunan® (NBR)		

Perbunan® is a registered trademark of BAYER AG. Photographs are not to scale and are not true representations of the products in question. For current information go to our website. If not otherwise specified, all values relating to the product are nominal values.

SKINDICHT® SHVE Cable Clamp

Part Number	Connection Thread	PG Thread Compression Screw	Clear Width of Sealing Cone	Clear Width of Earthing Sleeve	øE Outer Jacket Diameter (inches)	øF Inner Jacket Diameter (inches)	SW Wrenching Flats (inches)		C Max. Overall Length (inches)	D Thread Length (inches)	Standard Pack Size
							SW1	SW2			
SKINDICHT® SHVE: PG											
52010400	PG 9	PG 9	0.236	0.126	0.158 - 0.229	0.087- 0.126	0.67	0.67	1.123	0.236	25
52010405	PG 9	PG 9	0.276	0.126	0.197 - 0.268	0.087- 0.126	0.67	0.67	1.123	0.236	25
52010415	PG 9	PG 9	0.236	0.142	0.158 - 0.229	0.102- 0.142	0.67	0.67	1.123	0.236	25
52010420	PG 9	PG 9	0.276	0.142	0.197 - 0.268	0.102- 0.142	0.67	0.67	1.123	0.236	25
52010440	PG 11	PG 11	0.276	0.177	0.197 - 0.268	0.138- 0.177	0.79	0.79	1.221	0.236	25
52010450	PG 11	PG 11	0.355	0.177	0.268 - 0.347	0.138- 0.177	0.79	0.79	1.221	0.236	25
52010460	PG 9	PG 13	0.355	0.197	0.268 - 0.347	0.138- 0.197	0.87	0.87	1.281	0.217	25
52010490	PG 11	PG 13	0.355	0.197	0.268 - 0.347	0.138- 0.197	0.87	0.87	1.281	0.217	25
52005070	PG 13	PG 13	0.355	0.197	0.268 - 0.347	0.138- 0.197	0.87	0.87	1.458	0.236	25
52010470	PG 9	PG 13	0.355	0.236	0.268 - 0.347	0.177- 0.236	0.87	0.87	1.281	0.217	25
52010500	PG 11	PG 13	0.355	0.236	0.268 - 0.347	0.177- 0.236	0.87	0.87	1.281	0.217	25
52005080	PG 13	PG 13	0.355	0.236	0.268 - 0.347	0.177- 0.236	0.87	0.87	1.458	0.236	25
52010480	PG 9	PG 13	0.433	0.276	0.335 - 0.426	0.217- 0.276	0.87	0.87	1.281	0.217	25
52010510	PG 11	PG 13	0.433	0.276	0.335 - 0.426	0.217- 0.276	0.87	0.87	1.281	0.217	25
52005090	PG 13	PG 13	0.433	0.276	0.335 - 0.426	0.217- 0.276	0.87	0.87	1.458	0.236	25
52010520	PG 11	PG 16	0.433	0.315	0.335 - 0.426	0.236- 0.315	0.95	0.95	1.379	0.217	25
52010560	PG 13	PG 16	0.433	0.315	0.335 - 0.426	0.236- 0.315	0.95	0.95	1.399	0.236	25
52005100	PG 16	PG 16	0.433	0.315	0.335 - 0.426	0.236- 0.315	0.95	0.95	1.478	0.236	25
52010530	PG 11	PG 16	0.512	0.355	0.426 - 0.504	0.276- 0.355	0.95	0.95	1.379	0.217	25
52010570	PG 13	PG 16	0.512	0.355	0.426 - 0.504	0.276- 0.355	0.95	0.95	1.399	0.236	25
52005110	PG 16	PG 16	0.512	0.355	0.426 - 0.504	0.276- 0.355	0.95	0.95	1.478	0.236	25
52010540	PG 11	PG 16	0.512	0.394	0.426 - 0.504	0.315- 0.394	0.95	0.95	1.379	0.217	25
52010580	PG 13	PG 16	0.512	0.394	0.426 - 0.504	0.315- 0.394	0.95	0.95	1.399	0.236	25
52005120	PG 16	PG 16	0.512	0.394	0.426 - 0.504	0.315- 0.394	0.95	0.95	1.478	0.236	25
52010550	PG 11	PG 16	0.591	0.433	0.473 - 0.583	0.355- 0.433	0.95	0.95	1.379	0.217	25
52010590	PG 13	PG 16	0.591	0.433	0.473 - 0.583	0.355- 0.433	0.95	0.95	1.399	0.236	25
52005130	PG 16	PG 16	0.591	0.433	0.473 - 0.583	0.355- 0.433	0.95	0.95	1.478	0.236	25
52010600	PG 16	PG 21	0.630	0.473	0.552 - 0.623	0.394- 0.473	1.18	1.18	1.517	0.256	25
52005140	PG 21	PG 21	0.630	0.473	0.552 - 0.623	0.394- 0.473	1.18	1.18	1.714	0.276	25
52010610	PG 16	PG 21	0.630	0.512	0.552 - 0.623	0.433- 0.512	1.18	1.18	1.517	0.256	25
52005150	PG 21	PG 21	0.630	0.512	0.552 - 0.623	0.433- 0.512	1.18	1.18	1.714	0.276	25
52010620	PG 16	PG 21	0.709	0.552	0.623 - 0.701	0.473- 0.552	1.18	1.18	1.517	0.256	25
52005160	PG 21	PG 21	0.709	0.552	0.623 - 0.701	0.473- 0.552	1.18	1.18	1.714	0.276	25
52010630	PG 16	PG 21	0.709	0.591	0.623 - 0.701	0.512- 0.591	1.18	1.18	1.517	0.256	25
52005170	PG 21	PG 21	0.709	0.591	0.623 - 0.701	0.512- 0.591	1.18	1.18	1.714	0.276	25
52010640	PG 16	PG 21	0.788	0.630	0.690 - 0.780	0.552- 0.630	1.18	1.18	1.517	0.256	25
52005180	PG 21	PG 21	0.788	0.630	0.690 - 0.780	0.552- 0.630	1.18	1.18	1.714	0.276	25
52005190	PG 29	PG 29	0.867	0.670	0.768 - 0.859	0.591- 0.670	1.58	1.58	1.872	0.315	10
52005200	PG 29	PG 29	0.867	0.709	0.768 - 0.859	0.630 - 0.709	1.58	1.58	1.872	0.315	10
52005210	PG 29	PG 29	0.946	0.749	0.847 - 0.938	0.670 - 0.749	1.58	1.58	1.872	0.315	10
52005240	PG 29	PG 29	1.024	0.749	0.926 - 1.017	0.670 - 0.749	1.58	1.58	1.872	0.315	10
SKINDICHT® SHVE-M: Metric											
52106860	M16 x 1.5	PG 9	0.236	0.126	0.177 - 0.229	0.087 - 0.123	0.71	0.67	1.044	0.197	25
52106870	M16 x 1.5	PG 9	0.276	0.126	0.177 - 0.268	0.087 - 0.127	0.71	0.67	1.044	0.197	25
52106880	M16 x 1.5	PG 9	0.236	0.142	0.217 - 0.229	0.102 - 0.125	0.71	0.67	1.044	0.197	25
52106890	M16 x 1.5	PG 9	0.276	0.142	0.217 - 0.268	0.102 - 0.145	0.71	0.67	1.044	0.197	25
52106910	M20 x 1.5	PG 11	0.276	0.177	0.118 - 0.268	0.138 - 0.178	0.87	0.79	1.221	0.236	25
52106920	M20 x 1.5	PG 11	0.355	0.177	0.236 - 0.347	0.138 - 0.175	0.87	0.79	1.221	0.236	25
52106930	M20 x 1.5	PG 13	0.355	0.197	0.256 - 0.347	0.138 - 0.197	0.87	0.87	1.261	0.236	25
52106940	M20 x 1.5	PG 13	0.355	0.236	0.236 - 0.347	0.177 - 0.234	0.87	0.87	1.261	0.236	25
52106950	M20 x 1.5	PG 13	0.433	0.276	0.315 - 0.426	0.217 - 0.273	0.87	0.87	1.261	0.236	25
52106960	M20 x 1.5	PG 16	0.433	0.315	0.335 - 0.426	0.236 - 0.312	0.95	0.95	1.359	0.236	25
52106970	M20 x 1.5	PG 16	0.512	0.355	0.394 - 0.504	0.276 - 0.355	0.95	0.95	1.359	0.236	25
52106980	M20 x 1.5	PG 16	0.512	0.394	0.394 - 0.504	0.315 - 0.394	0.95	0.95	1.359	0.236	25
52106990	M20 x 1.5	PG 16	0.591	0.433	0.493 - 0.583	0.355 - 0.435	0.95	0.95	1.359	0.236	25
52107000	M25 x 1.5	PG 21	0.63	0.473	0.512 - 0.623	0.394 - 0.479	1.18	1.18	1.537	0.276	25
52107010	M25 x 1.5	PG 21	0.63	0.512	0.512 - 0.623	0.433 - 0.512	1.18	1.18	1.537	0.276	25
52107020	M25 x 1.5	PG 21	0.709	0.552	0.611 - 0.701	0.473 - 0.552	1.18	1.18	1.537	0.276	25
52107030	M25 x 1.5	PG 21	0.709	0.591	0.591 - 0.701	0.512 - 0.591	1.18	1.18	1.537	0.276	25
52107040	M25 x 1.5	PG 21	0.788	0.630	0.690 - 0.780	0.552 - 0.630	1.18	1.18	1.537	0.276	25
52107050	M32 x 1.5	PG 29	0.867	0.670	0.749 - 0.859	0.591 - 0.671	1.58	1.58	1.793	0.315	10
52107060	M32 x 1.5	PG 29	0.867	0.709	0.709 - 0.938	0.630 - 0.709	1.58	1.58	1.793	0.315	10
52107070	M32 x 1.5	PG 29	0.946	0.749	0.788 - 0.938	0.670 - 0.749	1.58	1.58	1.793	0.315	10
52107080	M32 x 1.5	PG 29	1.024	0.749	0.906 - 1.017	0.670 - 0.749	1.58	1.58	1.793	0.315	10