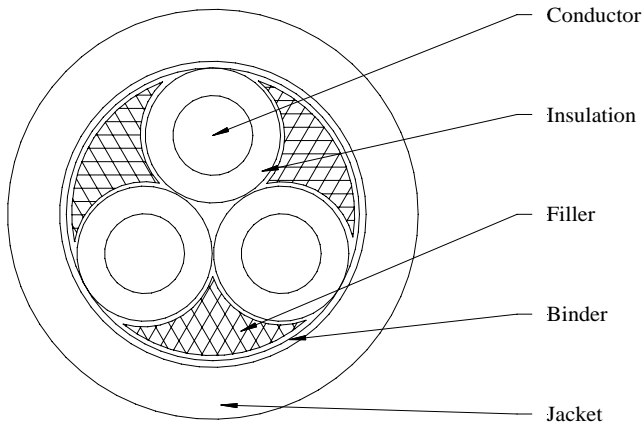


3 CONDUCTOR 18 AWG FLEXIBLE CORD



ELECTRICAL CHARACTERISTICS

Conductor DC Resistance: 0.068 Ohms/ft Nominal @ 20°C

SAFETY CERTIFICATION

UL Listing: Type SJT as specified in Article 400 of the National Electrical Code

CSA Certification: Type SJT FT1

RoHS Compliance: In Accordance to European Directive 2002/95/EC, Issue 13.2.2003

CONSTRUCTION

Single Component

Conductor: 18 AWG 16/30 Tin Plated Copper, 0.045 Inch Diameter

Insulation: 0.0325 Inches of XPbT, 0.110 Inch Diameter

Final Assembly

Core: 3 Singles (#1-3) Cabled Together with Fibrillated Polypropylene Filler in Each Interstice

Binder: Polyester Tape, 25% Overlap

Jacket: 0.035 Inches of Flexible XPbT, Color – Oyster Gray

Diameter: 0.310 Inches Nominal

Print Legend (Black Ink): “(UL) TYPE SJT 3C/18 AWG (0.824 mm²) 105°C 300V MADISON CABLE CSA TYPE SJT 105°C 300V FT1 RoHS COMPLIANT {Date Code}”¹”

¹ Date code is a 4-digit code with the first 2 digits identifying the calendar week and the last 2 digits identifying the calendar year of manufacture. Example - 0206 for cable manufactured the second week of 2006.

COLOR CODE

Conductor #	Insulation Color
1	Black
2	White
3	Green

Note: This cable is based upon GE Medical 1005200-P3 with enhanced RoHS Compliance

125 Goddard Memorial Drive • Worcester, MA 01603 USA
 Tel: (508) 752-2884 Toll-Free: (877) MADISON Fax: (508) 752-4230

REVISION HISTORY

Rev #	Date	By	Description
1	09/09/08	RL	Initial Release

Spec Number:	101-7986	Prepared By:	R. Lemos		
Part Number:	03TJALF016	Reviewed By:	K. Arsenault	M. Dupuis	
Customer:					Page
Customer #:					1 of 1

Users should evaluate the suitability of this product for their application. Contact factory for latest revision of specification. Tyco Electronics reserves the right to make changes in materials or processing, which do not affect compliance with any specification, without notification to the Buyer.