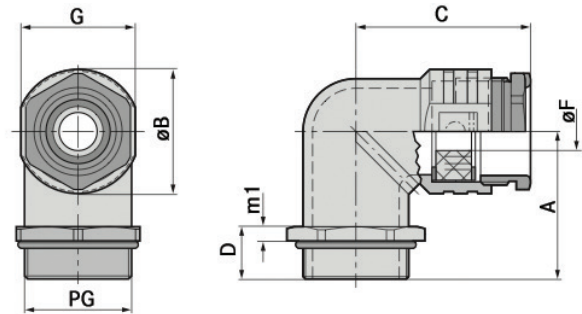


## SKINDICHT® RWV Cable Gland

Nickel-Plated Die Cast Zinc 90° Elbow Strain Relief with PG Thread



The SKINDICHT® RWV metallic cable gland has a compact 90° elbow design, constructed of corrosion-resistant nickel-plated die-cast zinc with an internal neoprene seal. The SKINDICHT® RWV elbow cable gland can also be used in conjunction with any SKINTOP® PG metallic fitting shown in the catalog to achieve desired connections.

### Application Advantage

- Compact, durable 90° strain relief
- Ideal for applications where space is an issue and cables must run parallel to the housing unit

### Approvals



### Technical Data

<b>Material:</b>		<b>Locknuts:</b>	Add SM locknuts, page 534
- Body:	Die-cast zinc	<b>Temperature Range:</b>	
- Pressure screw:	Nickel-plated brass	- with sealing ring:	-20°C to +80°C
- Nut:	Nickel-plated brass	- without sealing ring:	-20°C to +100°C
- Bushing:	CR	<b>IP Protection:</b>	IP55
- O-ring:	NBR		

Part Number	Thread Type & Size	A (in)	øB (in)	G (in)	øF Incised Sealing Ring Size (in)	C Max. Overall Length (in)	D Thread Length (in)	Standard Pack Size
<b>SKINDICHT® RWV</b>								
52004180	PG 7	0.808	0.603	0.552	0.197	1.024	0.335	25
52004190	PG 9	0.926	0.721	0.670	0.197 / 0.315	1.103	0.374	25
52004200	PG 11	1.024	0.863	0.788	0.276 / 0.394 / 0.493	1.241	0.394	25
52004210	PG 13	1.123	0.946	0.867	0.276 / 0.414 / 0.512 / 0.630	1.359	0.414	25
52004220	PG 16	1.221	1.028	0.946	0.315 / 0.414 / 0.532 / 0.630	1.399	0.433	10
52005420	PG 21	1.320	1.281	1.182	0.433 / 0.591 / 0.709 / 0.788	1.675	0.453	10
52004225	PG 29	1.694	1.655	1.576	0.749 / 0.906 / 1.064 / 1.221	1.931	0.512	10

Photographs are not to scale and are not true representations of the products in question.

If not otherwise specified, all values relating to the product are nominal values. For current information go to our website.