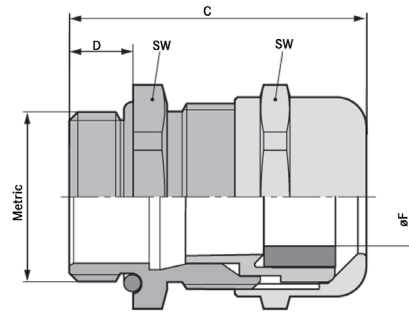
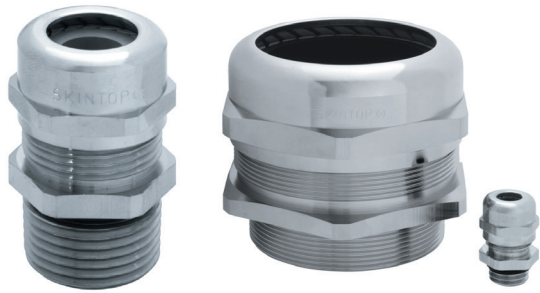


SKINTOP® MS-M-XL/MSR-M-XL

Nickel-Plated Brass Strain Relief with Extended Metric Thread



Similar Products

- SKINTOP® MS-M/MSR-M

Complete the Installation

SKINTOP® DIX Bushing: page 548

Plugs: page 550

SKINTOP® MS-M-XL/MSR-M-XL is a superior quality, liquid-tight, metallic cable gland intended for applications where ruggedness, durability, and long threads are required.

Application Advantage

- Ideal for heavy wall applications or for use with locknuts where tapped holes cannot be provided
- Suitable for use in areas with high demands on special mechanical and chemical stability
- The heavy duty SKINTOP® design provides great pull-out strength and very reliable strain relief
- Extended temperature range due to the nickel-plated brass body
- Generous high-quality neoprene bushing and perbunan O-ring provide a liquid-tight and dust-proof hermetic seal

Approvals



Technical Data

Material:	Nickel-plated brass	Temperature Range:	-40°C to +100°C
- Body:	Nickel-plated brass	- Static:	-40°C to +100°C
- Insert:	Polyamide	- Dynamic:	-25°C to +100°C
- Bushing:	CR	IP Protection:	70 PSI
- O-ring:	NBR	- Seal:	IP68, 10 bar (Exceeds NEMA 6/6P pressure rating) IP69K
Locknuts:	Add SM-M locknuts, page 545		

Part Number	Thread Type & Size	øF Clamping Range (inches)	øF Clamping Range (mm)	SW Wrenching Flats (inches)	C Overall Length (inches)	D Thread Length (inches)	Standard Pack Size
SKINTOP® MS-M-XL: Standard							
53112005	M12 x 1.5	0.118 - 0.275	3.0 - 7.0	0.630	1.292	0.472	100
53112015	M16 x 1.5	0.177 - 0.394	4.5 - 10.0	0.788	1.457	0.472	50
53112025	M20 x 1.5	0.275 - 0.512	7.0 - 13.0	0.945	1.556	0.472	50
53112035	M25 x 1.5	0.354 - 0.669	9.0 - 17.0	1.142	1.635	0.472	25
53112045	M32 x 1.5	0.433 - 0.827	11.0 - 21.0	1.418	1.899	0.591	25
53112055	M40 x 1.5	0.748 - 1.103	19.0 - 28.0	1.773	2.107	0.591	10
53112065	M50 x 1.5	1.063 - 1.379	27.0 - 35.0	2.127	2.245	0.591	5
SKINTOP® MSR-M-XL: Reducer Bushing							
53112105	M12 x 1.5	0.039 - 0.197	1.0 - 5.0	0.630	1.292	0.472	100
53112115	M16 x 1.5	0.078 - 0.275	2.0 - 7.0	0.788	1.457	0.472	50
53112125	M20 x 1.5	0.197 - 0.394	5.0 - 10.0	0.945	1.556	0.472	50
53112135	M25 x 1.5	0.236 - 0.512	6.0 - 13.0	1.142	1.635	0.472	25
53112145	M32 x 1.5	0.275 - 0.591	7.0 - 15.0	1.418	1.899	0.591	25
53112155	M40 x 1.5	0.591 - 0.906	15.0 - 23.0	1.773	2.107	0.591	10
53112165	M50 x 1.5	0.866 - 1.142	22.0 - 29.0	2.127	2.245	0.591	5

Photographs are not to scale and are not true representations of the products in question. For current information go to our website. If not otherwise specified, all values relating to the product are nominal values.