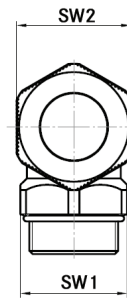
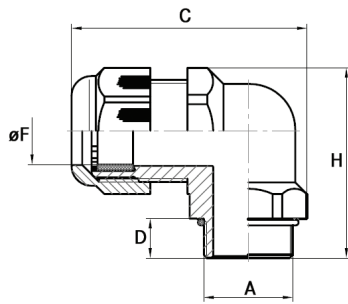


SRW Right Angle Gland

90° Elbow Strain Relief with PG Thread



The SKINTOP® SRW right angle gland is a liquid-tight, easy-to-assemble, 90° strain relief cable gland with a PG thread.





Application Advantage

- The right angle gland is ideal wherever cables run parallel to the housing wall
- Oil- and chemical-resistant

Approvals



Technical Data

 Material:		 Color:	Black (RAL 9005), UV resistant Gray (RAL 7001)
- Body:	Polyamide		
- Bushing:	CR		
 Locknut:	Included	 Protection:	IP68, 5 bar (Exceeds NEMA 6/6P pressure rating)
 Temperature Range:	-20°C to +100°C		

Part Number	Thread Type & Size	øF Clamping Range		SW Wrenching Flats (inches)		C Overall Length (inches)	H Height (inches)	D Thread Length (inches)	Standard Pack Size	
		(inches)	(mm)	SW1	SW2					
SRW Right Angle Gland: Standard										
R2107	R1107	PG 7	0.157 - 0.315	4 - 8	0.591	0.748	1.457	1.339	0.315	100
R2109	R1109	PG 9	0.197 - 0.394	5 - 10	0.748	0.866	1.192	1.457	0.315	100
R2111	R1111	PG 11	0.236 - 0.472	6 - 12	0.866	0.945	1.930	1.548	0.315	50
R2113	R1113	PG 13	0.394 - 0.551	10 - 14	0.945	1.063	2.088	1.694	0.354	50
R2116	R1116	PG 16	0.433 - 0.669	11 - 17	1.063	1.142	2.265	1.899	0.394	50
R2121	R1121	PG 21	0.591 - 0.827	15 - 21	1.300	1.418	2.679	2.233	0.433	25
R2129	R1129	PG 29	0.827 - 1.103	21 - 28	1.654	1.812	3.408	2.679	0.433	10
SRW Right Angle Gland: Reducer Bushing										
R2207	R1207	PG 7	0.078 - 0.236	2 - 6	0.591	0.748	1.457	1.339	0.315	100
R2209	R1209	PG 9	0.118 - 0.275	3 - 7	0.748	0.866	1.192	1.457	0.315	100
R2211	R1211	PG 11	0.197 - 0.354	5 - 9	0.866	0.945	1.930	1.548	0.316	50
R2213	R1213	PG 13	0.275 - 0.472	7 - 12	0.945	1.063	2.088	1.694	0.354	50
R2216	R1216	PG 16	0.315 - 0.669	8 - 17	1.063	1.142	2.265	1.899	0.394	50
R2221	R1221	PG 21	0.472 - 0.827	12 - 21	1.300	1.418	2.679	2.233	0.433	25
R2229	R1229	PG 29	0.748 - 1.103	19 - 28	1.654	1.812	3.408	2.679	0.433	10

Photographs are not to scale and are not true representations of the products in question.
For current information go to our website. If not otherwise specified, all values relating to the product are nominal values.