

# THERMASHIELD WRAP

- Economical And Easy To Install
- Cuts Easily With Scissors
- Reflects Radiant Heat
- Insulates Delicate Wires And Components
- Resists Gasoline And Engine Chemicals

**Put-Ups**

Nominal Size	Part #	Sheet Width	Wall Thickness ±0.008"	Bulk Spool	Shop Spool	Retail	Clam	Bag	Available Colors	Lbs/100'
1/2"	TWN0.50	1 1/2"	0.025"	200'	100'	n/a	10'	n/a	Silver	2.60
3/4"	TWN0.75	2 1/4"	0.025"	200'	100'	n/a	10'	n/a	Silver	4.00
1"	TWN1.00	3 3/4"	0.025"	200'	100'	n/a	10'	n/a	Silver	5.10
1 1/4"	TWN1.25	4 1/2"	0.025"	200'	100'	n/a	10'	n/a	Silver	5.70
1 1/2"	TWN1.50	5 1/4"	0.025"	200'	100'	n/a	10'	n/a	Silver	6.50
1 3/4"	TWN1.75	6"	0.025"	100'	50'	n/a	5'	n/a	Silver	7.40
2"	TWN2.00	6 1/2"	0.025"	100'	50'	n/a	5'	n/a	Silver	8.40
2 1/4"	TWN2.25	7 1/2"	0.025"	100'	50'	n/a	5'	n/a	Silver	9.50

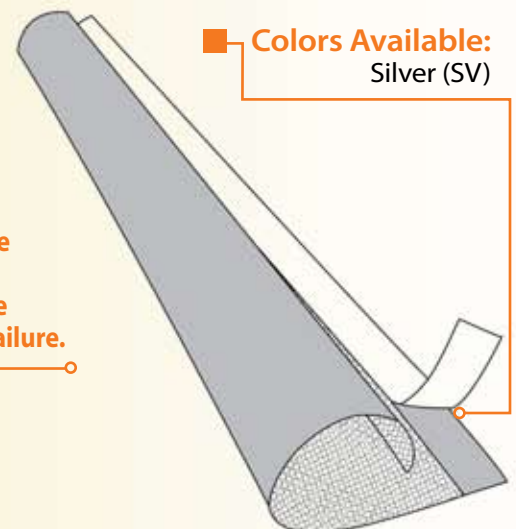


**Cut Cleanly  
 Scissors**

## Reflective Aluminized Surface Bonded To Insulating Fiberglass

THERMASHIELD creates a buffer between your wires, hoses and cables and the high temperature environments they are required to perform in. ThermaShield is engineered by laminating an aluminum heat shield to a layer of strong fiberglass insulation. This system provides superior protection from radiant heat by reflecting it away from sensitive electronics, wiring and hoses.

THERMASHIELD WRAP (TWN). When component disassembly isn't an option, TWN is the solution. Designed to fit securely around existing assemblies and hard to reach components, the flat material is joined along the edge with a strip of permanent, high temperature adhesive. The aggressive bonding agent will securely adhere anywhere along the width of the material, affording maximum protection and allowing a snug fit around odd-shaped connectors and terminations.



**Colors Available:  
 Silver (SV)**

**When applied, the aluminum laminate reflects heat away and the insulating fiberglass backing protects the fragile contents from thermal damage and failure.**

<b>Material</b>	<b>Aluminum Laminated Fiberglass</b>
<b>Grade</b>	<b>TWN</b>
<b>Wall Thickness</b>	<b>.025"</b>
<b>Drawing Number</b>	<b>TF001TW-WD</b>





**THERMASHIELD WRAP**



**Abrasion Resistance**  
**Very High**

**Abrasion Test Machine**  
**Taber 5150**

**Abrasion Test Wheel**  
**Calibrase H-18**

**Abrasion Test Load**  
**500g**

**Room Temperature**  
**70°F**

**Humidity**  
**57%**

**Foil Layer Worn Through**  
**1,000 Test Cycle**

**Fiberglass Layer Worn Through - Material Destroyed**  
**1,300 Test Cycles**



Rating \_\_\_\_\_  
\_\_\_\_ Non Combustible / Will not Burn



**Chemical Resistance**

1=No Effect    4=More Affected  
2=Little Effect    5=Severely Affected  
3=Affected

Aromatic Solvents	_____	1
Aliphatic Solvents	_____	1
Chlorinated Solvents	_____	1
Weak Bases	_____	1
Salts	_____	1
Strong Bases	_____	1
Salt Water 0-S-1926	_____	1
Hydraulic Fluid MIL-H-5606	_____	1
Lube Oil MIL-L-7808	_____	1
De-Icing Fluid MIL-A-8243	_____	1
Strong Acids	_____	2
Strong Oxidants	_____	2
Esters/Keytones	_____	1
UV Light	_____	1
Petroleum	_____	1
Fungus ASTM G-21	_____	1
Halogen Free	_____	Yes
RoHS	_____	Yes
SVHC	_____	

**Melt Point**  
*ASTM D-2117*  
**2,048°F (1,120°C)**

**Maximum Continuous**  
*Mil-I-23053*  
**491°F (255°C)**

**Minimum Continuous**  
**-76°F (-60°C)**



**PHYSICAL PROPERTIES**

Monofilament Diameter \_\_\_\_\_ NA  
*ASTM D-204*

Flammability Rating \_\_\_\_\_ Non Combustible

Recommended Cutting \_\_\_\_\_ Scissor

Colors \_\_\_\_\_ 1

Wall Thickness \_\_\_\_\_ .025

www.techflex.com