

# SOLUTION 1

## CEILING MOUNT

Includes TWO (2) Each : C10X/BU/WS, ERD8U, SSB-3



### GENERAL DESCRIPTION

The **SOLUTION 1** is a complete speaker/transformer/baffle solution for ceiling installations. Each installer package includes two (2) C10X/BU/WS - The 8C10PAX - 8" O.D. dual cone loudspeaker with a 10 oz. magnet and a TBLU - 5W-25/70V transformer mounted on a BR8WS - round, steel, stud mount baffle. Also included are two (2) SSB-3 - rust-resistant steel, load bearing supports and two (2) ERD8U - 275 CID, round, steel back boxes.

**\* SHIPPED AS A COMPLETE PAIR IN ONE CARTON**

### INTENDED USE - Indoor Environment

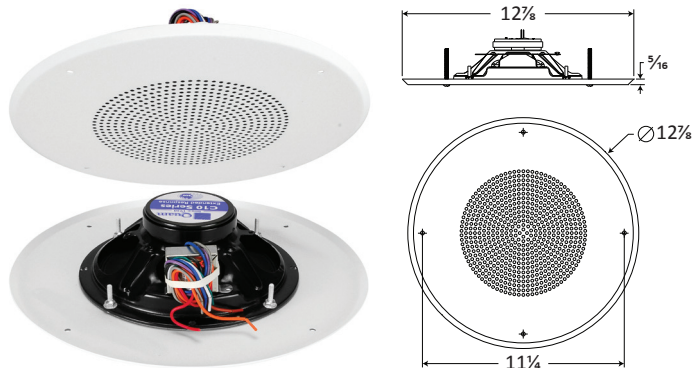
<b>Installation</b>	Downward-Firing in a 24" Wide, Drop-Tile Ceiling
<b>Program Material</b>	Signal Tones, Voice, and Music

### AUDIO SPECIFICATIONS

<b>Average Sensitivity</b>	95 dB SPL, 1W/ 1M
<b>Loudspeaker Power Rating</b>	20W RMS, EIA 426A Standard
<b>Calculated Output</b>	102dB SPL, 5W/ 1M
<b>Magnet Type &amp; Weight</b>	BeFe Ceramic, 10 oz. Nominal
<b>Frequency Response</b>	60Hz - 17 kHz EIA 426A Standard
<b>Nominal Coverage Angle</b>	90° Included Angle, -6 dB / 2 kHz, Half space
<b>Audio Connection</b>	7" Color Coded Leads

### SYSTEM COMPONENTS

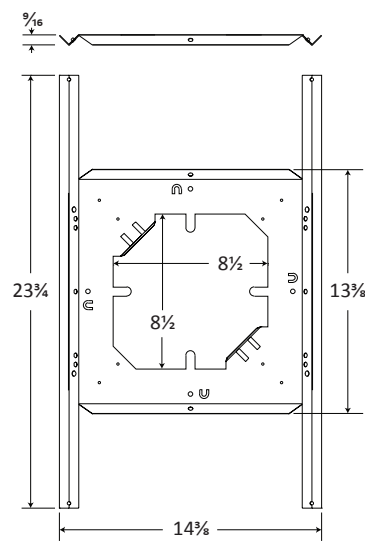
<b>Loudspeaker</b>	8C10PAX
<b>Transformer</b>	5W-25/70V : 5 tap, Color Coded Leads (5W, 2.5W, 1.25W, 0.63W, 0.31W)
<b>Baffle</b>	BR8WS
<b>Back Box</b>	ERD8U
<b>Mounting Support</b>	SSB-3



C10X/BU/WS



ERD8U



SSB-3