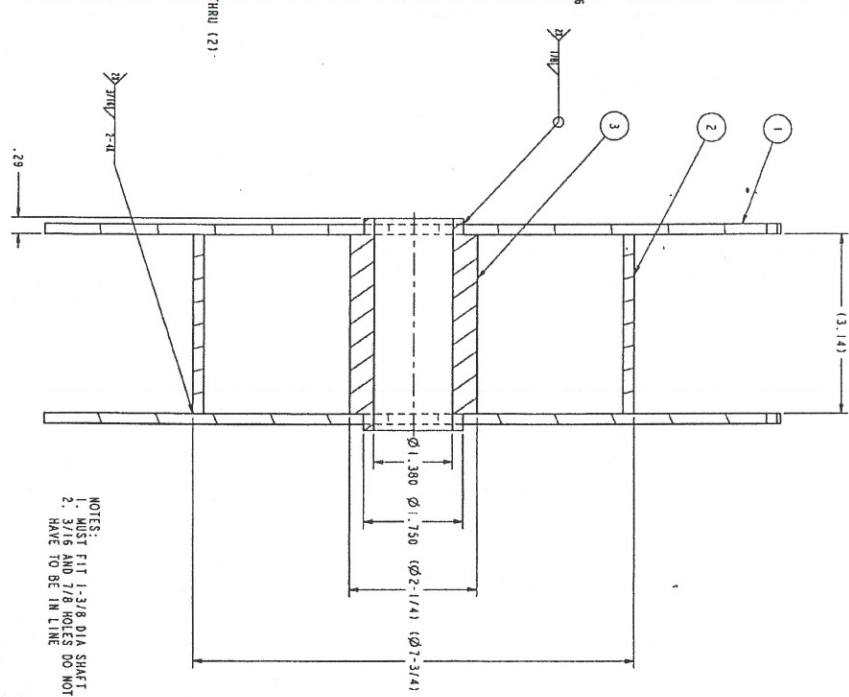
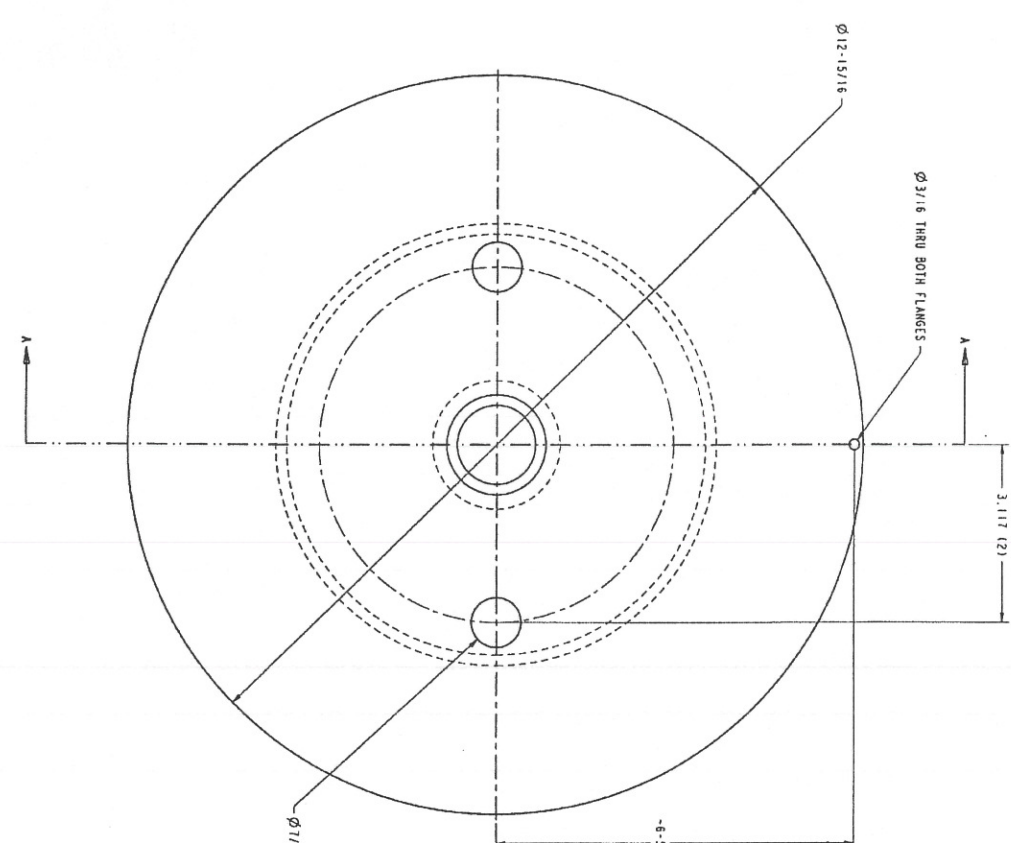


REV	DATE	BY	CHKD	DESCRIPTION
1				ISSUED FOR FABRICATION



NOTES:
 1. MUST FIT 1-3/8 DIA SHAFT
 2. 3/16 AND 7/8 HOLES DO NOT HAVE TO BE IN LINE

NOTE: DIMENSIONS UNLESS OTHERWISE SPECIFIED ARE IN INCHES

QTY	DESCRIPTION	UNIT
1	12-15/16 DIA X 7 GA W/S	1
1	7-3/4 OD X 1/4 WALL X 3/16 HRS	1
1	3-1/4 OD X 7/16 WALL X 3/16 HRS	1

PROJECT: GBAO INC. - MINNEAPOLIS, MN 55440
 DRAWING NO: F96182
 DATE: 04/18/88

SMALL

F96182
 04/18/88