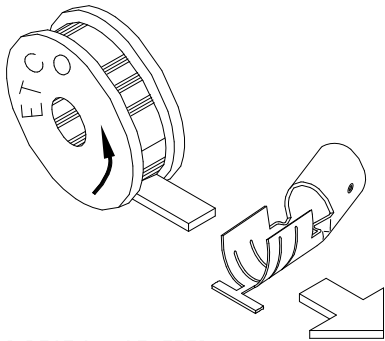
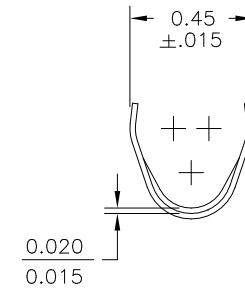
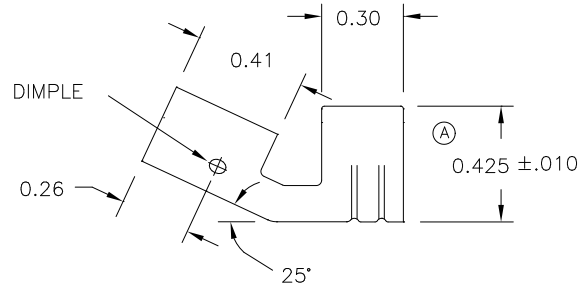
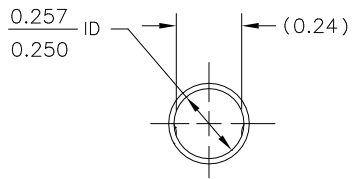
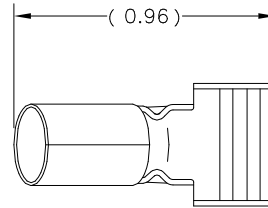


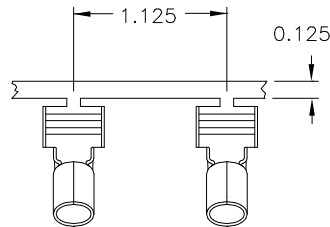
CUSTOMER PRINT

(A) FOR MAXIMUM PERFORMANCE AND RELIABILITY, ALWAYS USE ETCO ENGINEERED IGNITION TERMINALS WITH ETCO AUTOMOTIVE INSULATORS.

NOTE:  
PART MAY BE COATED WITH A LIGHT FILM OF LUBRICATION USED IN THE MANUFACTURING PROCESS.



DIRECTION OF FEED  
FROM REEL  
TOWARD APPLICATION



REV.	DESCRIPTION	DATE	TOLERANCES UNLESS SPECIFIED	
			FRACTIONS ±	ANGLES ±
A	ADD TAPERED RIB, NOTE, $.425 \pm .010$	7/16/93	$.000 \pm .005$	± 2°
			$.00 \pm .010$	
DO NOT SCALE DRAWING				
ETCO INCORPORATED AUTOMOTIVE DIVISION 3004 62ND AVENUE EAST BRADENTON, FLORIDA 34203 (941) 756-8426				
SPARK PLUG TERMINAL				
MATERIAL			0.020 BZS	DATE
				4-03-89
DRAWN BY	CHECKED BY	SCALE	PART NO.	
C.N.P.		2:1 1:1	SP15-115	