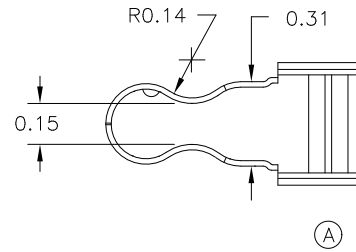


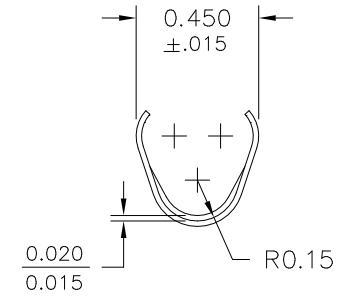
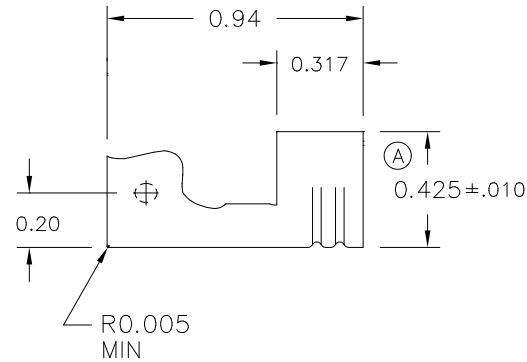
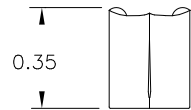
CUSTOMER PRINT

(A)

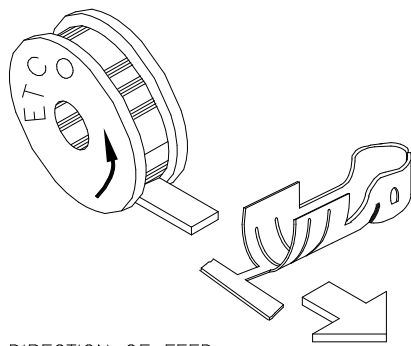
FOR MAXIMUM PERFORMANCE AND RELIABILITY,  
ALWAYS USE ETCO ENGINEERED IGNITION TERMINALS  
WITH ETCO AUTOMOTIVE INSULATORS.



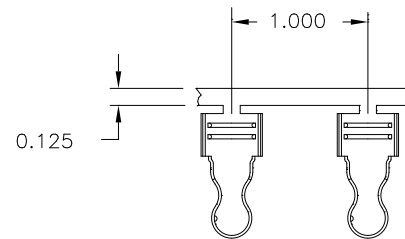
(A)



NOTE:  
PART MAY BE COATED WITH A LIGHT  
FILM OF LUBRICATION USED IN THE  
MANUFACTURING PROCESS.



DIRECTION OF FEED  
FROM REEL  
TOWARD APPLICATION



REV.	DESCRIPTION	DATE	TOLERANCES UNLESS SPECIFIED	
			FRACTIONS ±	ANGLES ±
A	ADD TAPERED RIB, NOTE, .425±.010, OMIT .797	7/16/93	.000 ± .005	± 2°
			.00 ± .010	
DO NOT SCALE DRAWING				
ETCO INCORPORATED AUTOMOTIVE DIVISION 3004 62ND AVENUE EAST BRADENTON, FLORIDA 34203 (941) 756-8426				
90° IGNITION TERMINAL				
MATERIAL			DATE	
.020 BZS			5-1-89	
DRAWN BY	CHECKED BY	SCALE	PART NO.	
CNP		2:1 1:1	SP35	