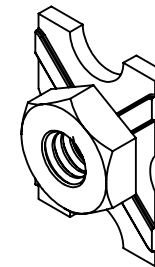
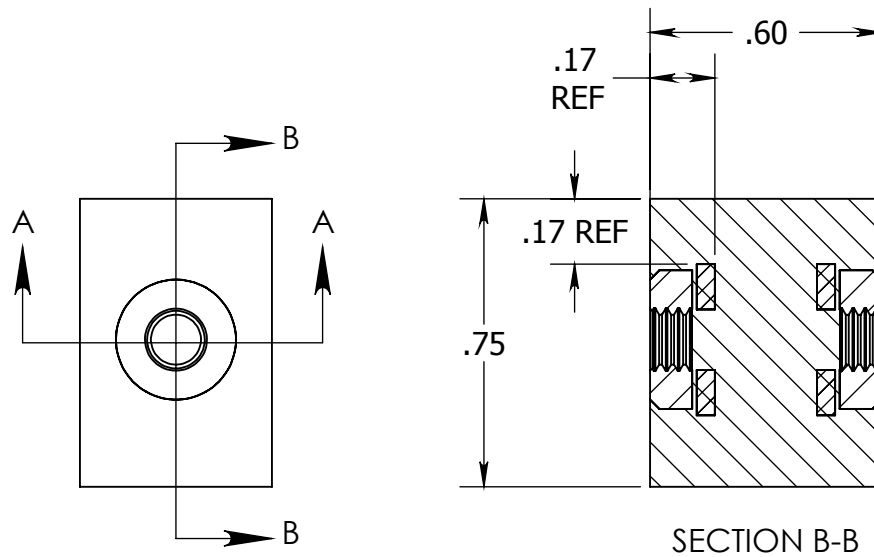


MATERIAL: 50 ±5 DUROMETER BLACK SORBOTHANE  
WITH FLAME RETARDANT  
PART NUMBER: 0578890



REV.1: MATERIAL MADE WITH FLAME RETARDANT

DRAWN BY: MTR  
DATE: 2/1/2011

SOBOTHANE® AND ALL  
INSERTS ARE RoHS COMPLIANT

DIMENSIONS ARE IN INCHES  
TOLERANCES UNLESS OTHER-  
WISE STATED:  
ANGULAR: ± 0.5 DEGREE  
TWO PLACE DECIMAL: ± 0.030

DO NOT SCALE DRAWING

**Sorbothane Inc**

8-32 THREAD  
FEMALE / FEMALE  
ISOLATOR

KEITHLEY INSTRUMENTS

|                  |                            |                  |
|------------------|----------------------------|------------------|
| SIZE<br><b>A</b> | DWG. NO.<br><b>101029B</b> | REV.<br><b>1</b> |
|------------------|----------------------------|------------------|