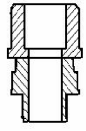
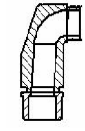

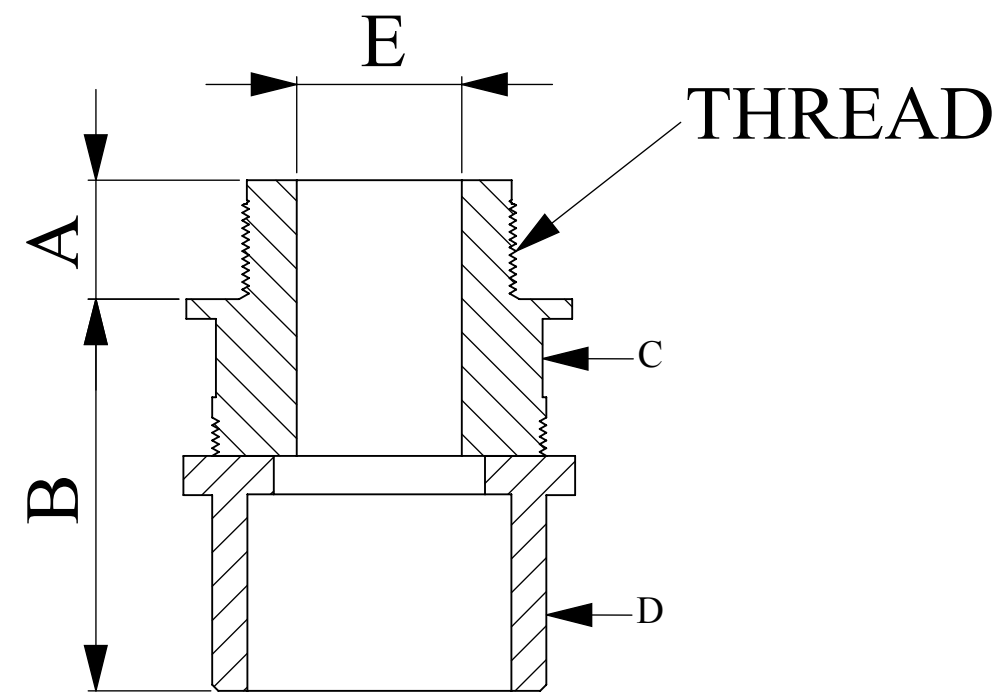
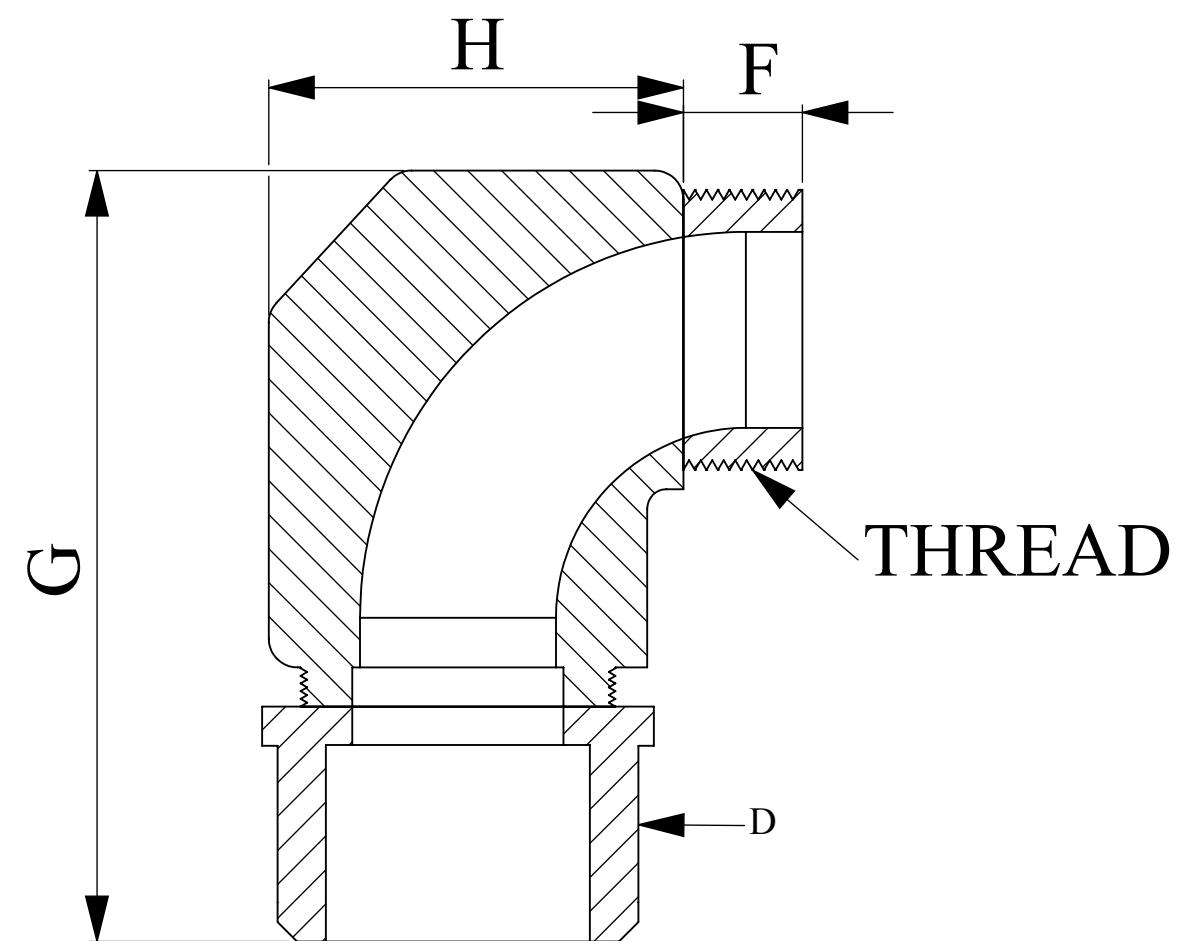
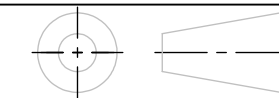


PART NUMBER		THREAD TYPE AND SIZE	FITS NOMINAL CONDUIT SIZE	DIMENSIONS INCHES (MM)								
Straight  Black	Elbows  Black			A Thread Length Straight	B Body Length Straight	C Hex Body Straight	D Hex Dome Nut 	E Inside Diameter Straight	F Thread Length Elboes	G Elbows Length Elbows	H Elbow Height Elbows	I Inside Diameter Elbows
ST07AA-BK ST09AA-BK	ET09AA-BK	PG71/4" NPT PG9	8 10	.31(8) .31(8)	1.02(26) .98(25)	.75(19) .75(19)	.87(22) .87(22)	.31(8) .43(11)31(8) 2.24(57)	.94(24) .94(24)	.43(11) .43(11)
ST11AA-BK ST11NA-BK	ET11AA-BK ET11NA-BK	PG11 3/8" NPT	12 12	.31(8) .55(14)	1.02(26) 1.06(27)	.87(22) .87(22)	.94(24) .94(24)	.55(14) .47(12)	.31(8) .32(8.1)	2.54(64) 2.54(64)	1.14(29) 1.14(29)	.55(14) .47(12)
ST16AA-BK ST16NA-BK	ET16AA-BK ET16NA-BK	PG16 1/2" NPT	17 17	.31(55) .39(10)	1.10(28) 2.20(56)	1.06(27) 1.38(35)	1.18(30) 1.18(30)	.55(14) .55(14)	.31(40) .40(10.2)	2.68(68) 2.68(68)	1.30(33) 1.30(33)	.55(14) .55(14)
ST21AA-BK ST21NA-BK	ET21AA-BK ET21NA-BK	PG21 3/4" NPT	23 23	.39(10) .51(13)	1.34(34) 1.34(34)	1.46(37) 1.46(37)	1.50(37) 1.50(37)	.57(14.5) .75(19)	.39(10) .43(11)	3.11(79) 3.11(79)	1.61(41) 1.61(41)	.57(14.5) .75(19)
ST29AA-BK ST29NA-BK	ET29AA-BK ET29NA-BK	PG29 1" NPT	29 29	.39(10) .75(19)	1.34(34) 1.34(34)	1.81(46) 1.81(46)	1.81(46) 1.81(46)	1.22(31) 1.02(26)	.39(10) .43(11)	3.74(95) 3.74(95)	2.16(55) 2.16(55)	1.22(31) 1.02(26)
ST36AA-BK ST48AA-BK		PG36 PG48	37 50	.59(15) .71(18)	1.77(45) 1.97(50)	2.16(55) 2.56(65)	2.16(55) 2.56(65)	1.55(39.5) 2.03(51.5)



Third angle projection



14853 E HINDSDALE AVE, SUITE d
CENTENNAIL, CO 80112-4240, USA
TEL: +1-303-699-1135
TOLL FREE: +1-800-456-9012
E MAIL: info@sealconusa.com,
WEBSITE: WWW.SEALCONUSA.COM

