

NOTES:

1. DESCRIPTION. SLEEVING, ELECTRICAL, SPIRAL-CUT CABLE WRAP WITH SPLINES.

2. REFERENCED DOCUMENTS. UNLESS OTHERWISE SPECIFIED, REFERENCED DOCUMENTS OF THE ISSUE IN EFFECT ON THE DATE OF THE PURCHASE ORDER OR SUBCONTRACT, SHALL FORM A PART OF THIS DRAWING TO THE EXTENT SPECIFIED HEREIN. WHENEVER REFERENCED DOCUMENTS CONFLICT WITH THIS DRAWING, THIS DRAWING SHALL GOVERN.

3. REQUIREMENTS

3.1 MATERIAL. TETRAFLUOROETHYLENE (TFE) IN ACCORDANCE WITH ASTM D3295, COLOR NATURAL.

3.2 MECHANICAL

3.2.1 DESIGN AND CONSTRUCTION. SLEEVING SHALL BE OF THE DESIGN, CONSTRUCTION AND PHYSICAL DIMENSIONS AND TOLERANCES SPECIFIED IN FIGURES 1 AND 2, OUTLINE DRAWINGS, AND TOLERANCE BLOCK, SHEET 1.

3.2.2 THE SLEEVING SHALL BE PURCHASED WITH EITHER A LEFT OR RIGHT CUT AS SHOWN IN TABLE I AND FIGURES 1 AND 2.

3.2.3 MINIMUM ACCEPTABLE LENGTH SHALL BE SPECIFIED BY THE PROCURING ACTIVITY ON THE PURCHASE ORDER.

3.3 ENVIRONMENTAL. SHALL BE IN ACCORDANCE WITH NAVORD DOCUMENT OD32195 WHERE APPLICABLE.

3.3.1 TEMPERATURE RANGE. -67°C TO $+260^{\circ}\text{C}$.

3.4 MARKING. IDENTIFY UNIT PACKAGES WITH MANUFACTURER'S NAME OR SYMBOL AND PART NUMBER IN ACCORDANCE WITH MIL-STD-130. ADDITIONAL MARKING AT THE MANUFACTURER'S OPTION.

SIZE	CODE IDENT NO.	NAVSEA DWG NO.	
A	53711	6322061	
SCALE	NONE	REV -	SHEET 2

3.5 WORKMANSHIP. SLEEVING SHALL BE PROCESSED IN SUCH A MANNER AS TO BE UNIFORM IN QUALITY AND SHALL BE FREE FROM ANY DEFECTS THAT AFFECT LIFE, SERVICEABILITY, OR APPEARANCE AND SHALL CONFORM WITH MIL-STD-454, REQUIREMENT 9, AS APPLICABLE.

4. QUALITY ASSURANCE PROVISIONS. AQL 4.0 PERCENT, LEVEL II, IN ACCORDANCE WITH MIL-STD-105. ALL MATERIAL, CONSTRUCTION AND DIMENSIONS SHALL COMPLY.

SUGGESTED SOURCE(S) OF SUPPLY:

ZEUS INDUSTRIAL PRODUCTS, INC
FSCM NO. 32039
RARITAN, NJ 08869
MFR PART NUMBER: SEE TABLE I

IDENTIFICATION OF THE "SUGGESTED SOURCE(S) OF SUPPLY" HEREON IS NOT TO BE CONSTRUED AS A GUARANTEE OF PRESENT OR CONTINUED AVAILABILITY AS A SOURCE OF SUPPLY FOR THE ITEM(S).

APPLICABLE DOCUMENTS:

OD 32195

SIZE	CODE IDENT NO.	NAVSEA DWG NO.	
A	53711	6322061	
SCALE	NONE	REV	SHEET
		-	3

TABLE I

NAVSEA PART NUMBER	SPIRAL CUT	MANUFACTURER'S PART NUMBER
		ZEUS
6322061-1	RIGHT (FIGURE 1)	TFE-1/4 IDSCSPLR NATURAL
6322061-2	LEFT (FIGURE 2)	TFE-1/4 IDSCSPLL NATURAL

SIZE A	CODE IDENT NO. 53711	NAVSEA DWG NO. 6322061	
SCALE NONE	REV -	SHEET 4	

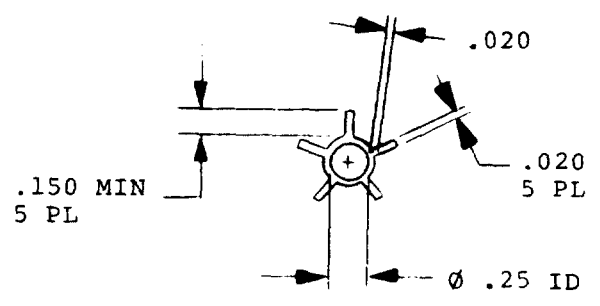
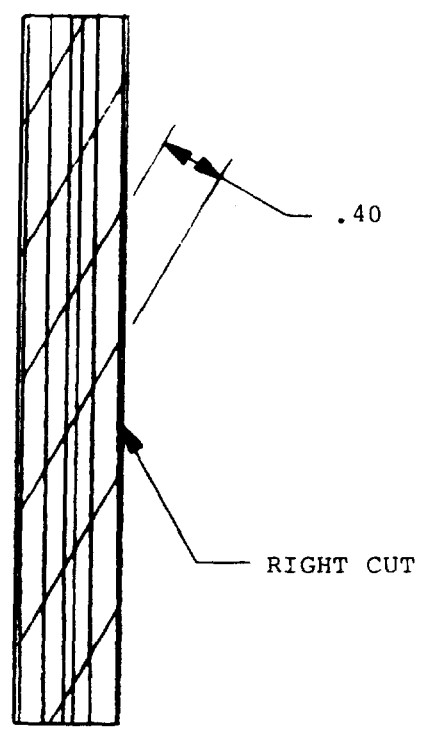


FIGURE 1. OUTLINE DRAWING, RIGHT CUT

SIZE A	CODE IDENT NO. 53711	NAVSEA DWG NO. 6322061	
SCALE 1/1	REV -	SHEET 5	

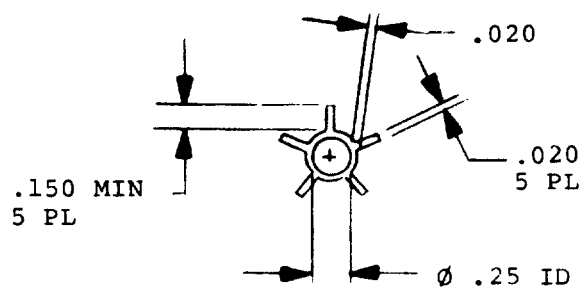
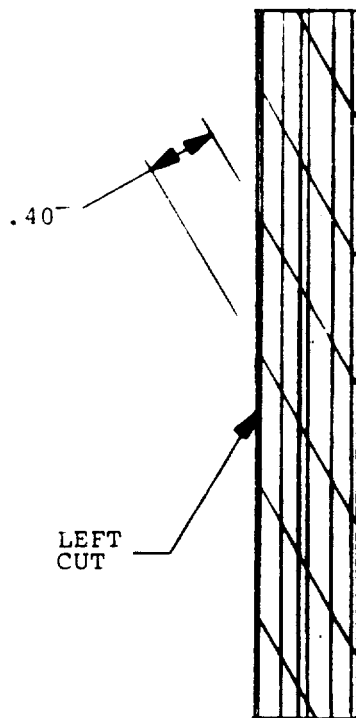


FIGURE 2. OUTLINE DRAWING, LEFT CUT

SIZE A	CODE IDENT NO. 53711	NAVSEA DWG NO. 6322061
SCALE 1/1	REV -	SHEET 6