



Lutze Inc. Cable Fittings and Accessories



USA Selection Guide V. 2.8

Lutze Inc.
13330 South Ridge Dr
Charlotte, NC 28273
Phone 704-504-0222 Fax 704-504-0223
Toll free 1-800-447-2371
www.lutze.com info@lutze.com



Lutze TOP-T Table of Contents ●

PLASTIC CABLE FITTINGS 3 - 8

NPT Fittings	3
FPNPT	
LPNPT	
Pg Fittings	4
FPPG	
LPPG	
Pg Elbow and Kink Protection Fittings	5
FPPG	
Metric Fittings	
FPM	
LPM	
Pg Reducer and Pg Enlarger	7
RPPG	
EPPG	
Metric Reducer, Metric Enlarger, Pg to Metric Adapters	8
RPM	
EPM	
APPG	

METAL CABLE FITTINGS 9 - 16

NPT Fittings	9
FMNPT	
LMNPT	
Pg Fittings	10
FMPG	
LMPG	
Metric Fittings	11
FMM	
LMM	
Metric Fittings EMC	12
FMM	
LMM	
Pg Reducer and Pg Enlarger	13
RMPG	
EMPG	
Pg to NPT, Metric to Pg and Metric to NPT Adapters	14
AMPG	
AMM	
Metric Reducer and Metric Enlarger	15
RMM	
EMM	
Metric Blanking Plug	16

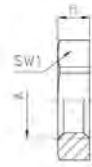
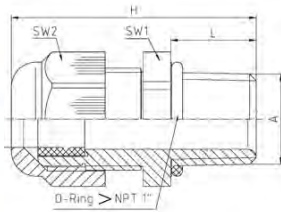
SPECIALTY FITTINGS & ACCESSORIES 17 - 18

Cablefix	17
Multihole Insert TPE Pg, Metric, NPT	18

TECHNICAL REFERENCE AND PART NUMBER KEY 19

Lutze TOP-T Fittings NPT •

Plastic NPT



Characteristics:

- Integrated strain relief
- Wide sealing and clamping range
- Easy to install
- Temperature range -20°C - +100°C / +14 - +212 F
- Protection Grade IP68 – 5 bar

Fitting Specifications:

Dome nut	Polyamide PA6 V-2
Sealing Ring	Polychloroprene-Nitrile rubber CR/NBR
Gland body	Polyamide PA6 V-2
Connecting thread	NPT
Color	Black Gray RAL 7001

Locknut specifications:

- For secure tightening of cable glands and accessories
- Hexagonal locknut Polyamide PA6 GF30
- Internal thread NPT

Part No.	Thread A	Clamping Range Ø C	L mm	SW1 mm	SW2 mm	H mm
----------	----------	--------------------	------	--------	--------	------

FITTINGS GRAY

FPNPT38G	NPT 3/8"	5-10	15.5	22	22	44.5
FPNPT12G	NPT 1/2"	10-14	15	27	27	47.5
FPNPT34G	NPT 3/4"	14-18	15	33	33	52
FPNPT10G	NPT 1"	19-25	18	42	42	60.5

FITTINGS BLACK

FPNPT38B	NPT 3/8"	5-10	15.5	22	22	44.5
FPNPT12B	NPT 1/2"	10-14	15	27	27	47.5
FPNPT34B	NPT 3/4"	14-18	15	33	33	52
FPNPT10B	NPT 1"	19-25	18	42	42	60.5

REDUCED CLAMPING RANGE

FPNPT38B-R	NPT 3/8"	3-7	15.5	22	22	44.5
FPNPT12B-R	NPT 1/2"	7-12	15	27	27	47.5
FPNPT34B-R	NPT 3/4"	9-16	15	33	33	52
FPNPT10B-R	NPT 1"	12-20	18	42	42	60.5

LOCKNUTS GRAY

LPNPT38G	NPT 3/8"			22		5
LPNPT12G	NPT 1/2"			27		6
LPNPT34G	NPT 3/4"			36		7
LPNPT10G	NPT 1"			42		7

LOCKNUTS BLACK

LPNPT38B	NPT 3/8"			22		5
LPNPT12B	NPT 1/2"			27		6
LPNPT34B	NPT 3/4"			36		7
LPNPT10B	NPT 1"			42		7

1-800-447-2371 – www.lutze.com



Lutze TOP-T Fittings Pg ●

Plastic Pg



Part No.	Thread A	Clamping Range Ø C	L mm	SW1 mm	SW2 mm	H mm
----------	----------	--------------------	------	--------	--------	------

FITTINGS BLACK

FPPG7B	Pg 7	3-6.5	8	15	15	30.5
FPPG9B	Pg 9	4-8	8	19	19	34
FPPG11B	Pg 11	5-10	8	22	22	37
FPPG13B	Pg 13.5	6-12	9	24	24	39
FPPG16B	Pg 16	10-14	10	27	27	42.5
FPPG21B	Pg 21	13-18	11	33	33	47.5
FPPG29B	Pg 29	18-25	11	42	42	53
FPPG36B	Pg 36	22-32	13	53	53	61
FPPG42B	Pg 42	30-38	13	60	60	65
FPPG48B	Pg 48	34-44	14	65	65	67

FITTINGS GRAY

FPPG7G	Pg 7	3-6.5	8	15	15	30.5
FPPG9G	Pg 9	4-8	8	19	19	34
FPPG11G	Pg 11	5-10	8	22	22	37
FPPG13G	Pg 13.5	6-12	9	24	24	39
FPPG16G	Pg 16	10-14	10	27	27	42.5
FPPG21G	Pg 21	13-18	11	33	33	47.5
FPPG29G	Pg 29	18-25	11	42	42	53
FPPG36G	Pg 36	22-32	13	53	53	61
FPPG42G	Pg 42	30-38	13	60	60	65
FPPG48G	Pg 48	34-44	14	65	65	67

REDUCED CLAMPING RANGE

FPPG7G-R	Pg 7	2-5	8	15	15	30.5
FPPG9G-R	Pg 9	2-6	8	19	19	34
FPPG11G-R	Pg 11	3-7	8	22	22	37
FPPG13G-R	Pg 13.5	5-9	9	24	24	39
FPPG16G-R	Pg 16	7-12	10	27	27	42.5
FPPG21G-R	Pg 21	9-16	11	33	33	47.5
FPPG29G-R	Pg 29	12-20	11	42	42	53
FPPG36G-R	Pg 36	20-26	13	53	53	61

LOCKNUTS BLACK

LPPG7B	Pg 7			19		5
LPPG9B	Pg 9			22		5
LPPG11B	Pg 11			24		5
LPPG13B	Pg 13.5			27		6
LPPG16B	Pg 16			30		6
LPPG21B	Pg 21			36		7
LPPG29B	Pg 29			46		7
LPPG36B	Pg 36			60		8
LPPG42B	Pg 42			65		8
LPPG48B	Pg 48			70		8

LOCKNUTS GRAY

LPPG7G	Pg 7			19		5
LPPG9G	Pg 9			22		5
LPPG11G	Pg 11			24		5
LPPG13G	Pg 13.5			27		6
LPPG16G	Pg 16			30		6
LPPG21G	Pg 21			36		7
LPPG29G	Pg 29			46		7
LPPG36G	Pg 36			60		8
LPPG42G	Pg 42			65		8
LPPG48G	Pg 48			70		8

Characteristics:

- Integrated strain relief
- Wide sealing and clamping range
- Easy to install
- Temperature range -20°C - +100°C / +14 - +212 F
- Protection Grade IP68 – 5 bar

Fitting Specifications:

Dome nut	Polyamide PA6 V-2
Sealing Ring	Polychloroprene-Nitrile rubber CR/NBR
Gland body	Polyamide PA6 V-2
Connecting thread	Pg as per DIN 40430
Color	Black Gray RAL 7001

Locknut specifications:

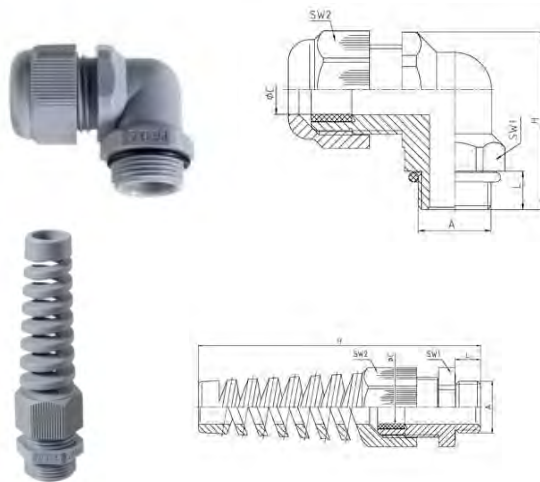
- For secure tightening of cable glands and accessories
- Hexagonal locknut Polyamide PA6 GF30
- Internal thread Pg as per DIN 40430

1-800-447-2371 – www.lutze.com



Lutze TOP-T Fittings Pg ●

Plastic Pg Elbow and Kink Protection



Part No.	Thread A	Clamping Range Ø C	L mm	SW1 mm	SW2 mm	H mm
ELBOW GRAY						
FPPG7G-E	Pg 7	4-8	8	15	19	34
FPPG9G-E	Pg 9	5-10	8	19	22	37
FPPG11G-E	Pg 11	6-12	8	22	24	39.3
FPPG13G-E	Pg 13	10-14	9	24	27	43
FPPG16G-E	Pg 16	11-17	10	27	29	48.2
FPPG21G-E	Pg 21	15-21	11	33	36	56.7
FPPG29G-E	Pg 29	21-28	11	42	46	68

Elbow Characteristics:

- For applications with space limitations due to construction dimensions
- Integrated strain relief
- Wide sealing and clamping range
- Easy to install
- Temperature range -20°C - +100°C /
 +14 - +212 F
- Protection Grade IP68 – 5 bar

KINK PROTECTION GRAY

FPPG7G-KP	Pg 7	3-6.5	8	15	15	63
FPPG9G-KP	Pg 9	4-8	8	19	19	74
FPPG11G-KP	Pg 11	5-10	8	22	22	87
FPPG13G-KP	Pg 13	6-12	9	24	24	98
FPPG16G-KP	Pg 16	10-14	10	27	27	112
FPPG21G-KP	Pg 21	13-18	11	33	33	130

Kink Protection Characteristics:

- For movable flexible cables
- With spiral top
- Integrated anchorage
- Wide sealing and clamping range
- Easy to install
- Protection Grade IP68 – 5 bar

Fitting Specifications:

Dome nut	Polyamide PA6 V-2
Sealing Ring	Polychloroprene-Nitrile rubber CR/NBR
Elbow	Polyamide PA6 V-2
Gland body	Polyamide PA6 V-2
Connecting thread	Pg as per DIN 40430
O- Ring	Nitrile rubber NBR
Color	Gray RAL 7001

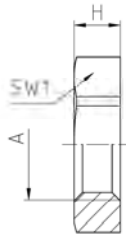
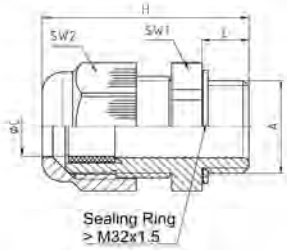
Please see previous page for the matching Pg locknut specifications.

1-800-447-2371 – www.lutze.com



Lutze TOP-T Fittings Metric •

Plastic Metric



Part No.	Thread A	Clamping Range Ø C	L mm	SW1 mm	SW2 mm	H mm
FITTINGS BLACK						
FPM12B	M12x1.5	3-6	8	15	15	31
FPM16B	M16x1.5	5-10	8	20	20	35.5
FPM20B	M20x1.5	8-13	8	24	24	36
FPM25B	M25x1.5	11-17	8	29	29	43
FPM32B	M32x1.5	15-21	10	36	36	50
FPM40B	M40x1.5	19-28	10	46	46	51
FPM50B	M50x1.5	27-35	12	55	55	61.5
FPM63B	M63x1.5	32-42	12	68	68	65.5

FITTINGS GRAY						
FPM12G	M12x1.5	3-6	8	15	15	31
FPM16G	M16x1.5	5-10	8	20	20	35.5
FPM20G	M20x1.5	8-13	8	24	24	36
FPM25G	M25x1.5	11-17	8	29	29	43
FPM32G	M32x1.5	15-21	10	36	36	50
FPM40G	M40x1.5	19-28	10	46	46	51
FPM50G	M50x1.5	27-35	12	55	55	61.5
FPM63G	M63x1.5	32-42	12	68	68	65.5

REDUCED CLAMPING RANGE						
FPM12G-R	M12x1.5	2-5	8	15	15	31
FPM16G-R	M16x1.5	3-10	8	20	20	35.5
FPM20G-R	M20x1.5	5-13	8	24	24	36
FPM25G-R	M25x1.5	8-17	8	29	29	43
FPM32G-R	M32x1.5	12-21	10	36	36	50
FPM40G-R	M40x1.5	16-28	10	46	46	51
FPM50G-R	M50x1.5	21-35	12	55	55	61.5
FPM63G-R	M63x1.5	27-48	12	68	68	65.5

LOCKNUTS BLACK						
LPM12B	M12x1.5			17		5
LPM16B	M16x1.5			22		5
LPM20B	M20x1.5			27		6
LPM25B	M25x1.5			32		6
LPM32B	M32x1.5			41		7
LPM40B	M40x1.5			50		7
LPM50B	M50x1.5			60		8
LPM63B	M63x1.5			75		8

LOCKNUTS GRAY						
LPM12G	M12x1.5			17		5
LPM16G	M16x1.5			22		5
LPM20G	M20x1.5			27		6
LPM25G	M25x1.5			32		6
LPM32G	M32x1.5			41		7
LPM40G	M40x1.5			50		7
LPM50G	M50x1.5			60		8
LPM63G	M63x1.5			75		8

Characteristics:

- Integrated strain relief
- Wide sealing and clamping range
- Easy to install
- Temperature range -20°C - +100°C / +14 - +212 F
- Protection Grade IP68 – 5 bar

Fitting Specifications:

Dome nut	Polyamide PA6 V-2
Sealing Ring	Polychloroprene-Nitrile rubber CR/NBR
Gland body	Polyamide PA6 V-2
Connecting thread	metric as per EN 60423
Inner Sealing Ring	Evoprene TPE
Color	Black Gray RAL 7001

Locknut specifications:

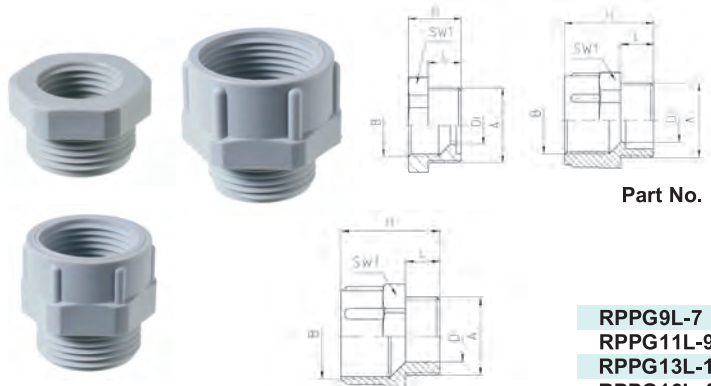
- For secure tightening of cable glands and accessories
- Hexagonal locknut Polyamide PA6 GF30

1-800-447-2371 – www.lutze.com



Lutze TOP-T Fitting Accessories Pg •

Plastic Pg Reducer and Pg Enlarger



Reducer Characteristics:

- Reduction of threaded or clearance holes to smaller thread size
- Temperature range -30°C - +100°C / -22 - +212 F
- Reduction Polyamide PA6 GF30
- Internal/External thread Pg as per DIN 40430
- Color Light Gray RAL 7035
- * taller model

Enlarger Characteristics:

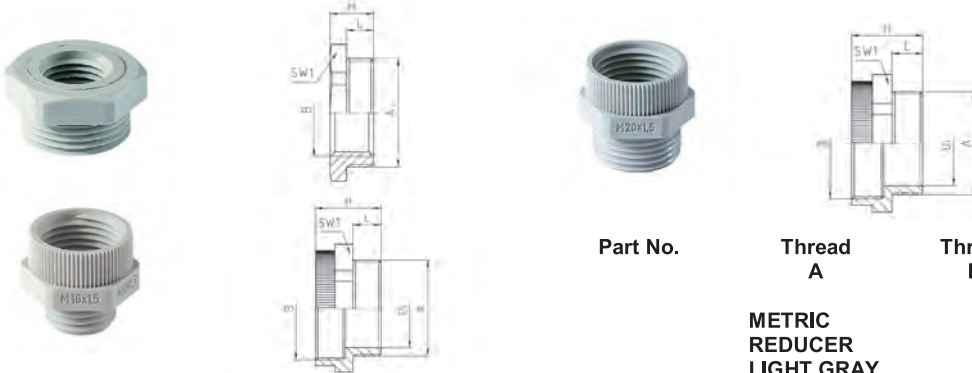
- Enlarger of threaded or clearance holes to larger thread size
- Temperature range -30°C - +100°C / -22 - +212 F
- Enlarger Polyamide PA6 GF30
- Internal/External thread Pg as per DIN 40430
- Color Light Gray RAL 7035

Part No.	Thread A	Thread B	L mm	SW1 mm	H mm	Di mm
REDUCER LIGHT GRAY						
RPPG9L-7	Pg 9	Pg 7	8	19	20.5*	
RPPG11L-9	Pg 11	Pg 9	8	22	22.5*	
RPPG13L-11	Pg 13.5	Pg 11	9	24	24*	
RPPG16L-13	Pg 16	Pg 13.5	10	27	27*	
RPPG21L-13	Pg 21	Pg 13.5	11	32	16	
RPPG21L-16	Pg 21	Pg 16	11	32	16	
RPPG29L-16	Pg 29	Pg 16	11	40	17	
RPPG29L-21	Pg 29	Pg 21	11	40	17	
RPPG36L-21	Pg 36	Pg 21	13	50	19	
RPPG36L-29	Pg 36	Pg 29	18	50	24	
RPPG42L-29	Pg 42	Pg 29	18	55	24	
RPPG42L-36	Pg 42	Pg 36	18	55	24	
ENLARGER LIGHT GRAY						
EPPG7L-9	Pg 7	Pg 9	7	19	20	8.5
EPPG9L-11	Pg 9	Pg 11	8	22	23	10
EPPG11L-13	Pg 11	Pg 13.5	8	24	23	13.5
EPPG13L-16	Pg 13.5	Pg 16	9	27	26	15
EPPG16L-21	Pg 16	Pg 21	9	32	29	16
EPPG21L-29	Pg 21	Pg 29	10	42	32	22.5
EPPG29L-36	Pg 29	Pg 36	11	53	35.5	30.5
EPPG36L-42	Pg 36	Pg 42	13	60	40.5	39.5

1-800-447-2371 – www.lutze.com

Lutze TOP-T Fitting Accessories Metric ●

Plastic Metric Reducer, Metric Enlarger and Pg to Metric Adapters



Reducer Characteristics:

- Reduction of threaded or clearance holes to smaller thread size
- Temperature range -30°C - +100°C / -22 - +212 F
- Reduction Polyamide PA6 GF30
- Internal/External thread Metric as per EN 60423
- Color Light Gray RAL 7035

Enlarger Characteristics:

- Enlarger of threaded or clearance holes to larger thread size
- Temperature range -30°C - +100°C / -22 - +212 F
- Enlarger Polyamide PA6 GF30
- Internal/External thread Metric as per EN 60423
- Color Light Gray RAL 7035

Adapter Characteristics:

- Adapter from Pg to metric threaded holes
- Temperature range -30°C - +100°C / -22 - +212 F
- Adapter Polyamide PA6 GF30
- Internal thread Metric as per EN 60423
- External thread Pg as per DIN 40430
- Color Light Gray RAL 7035

Part No.	Thread A	Thread B	L mm	SW1	H mm	Di mm
METRIC REDUCER LIGHT GRAY						
RPM16L-12	M16x1.5	M12x1.5	8	24	12	
RPM20L-12	M20x1.5	M12x1.5	8	24	12	
RPM20L-16	M20x1.5	M16x1.5	8	24	12	
RPM25L-16	M25x1.5	M16x1.5	8	29	14	
RPM25L-20	M25x1.5	M20x1.5	8	29	14	
RPM32L-20	M32x1.5	M20x1.5	10	36	16	
RPM32L-25	M32x1.5	M25x1.5	10	36	16	
RPM40L-25	M40x1.5	M25x1.5	10	46	16	
RPM40L-32	M40x1.5	M32x1.5	10	55	16	
RPM50L-32	M50x1.5	M32x1.5	12	55	18	
RPM50L-40	M50x1.5	M40x1.5	12	55	18	

Part No.	Thread A	Thread B	L mm	SW1	H mm	Di mm
METRIC ENLARGER LIGHT GRAY						
EPM12L-16	M12x1.5	M16x1.5	8	20	20.5	7
EPM16L-20	M16x1.5	M20x1.5	8	24	20.5	11
EPM20L-25	M20x1.5	M25x1.5	8	30	21	15
EPM25L-32	M25x1.5	M32x1.5	8	37	23	19
EPM32L-40	M32x1.5	M40x1.5	10	45	25	26

Part No.	Thread A	Thread B	L mm	SW1	H mm	Di mm
Pg TO METRIC ADAPTER LIGHT GRAY						
APPG7L-M12	Pg 7	M12x1.5	8	15	20	7.5
APPG9L-M12	Pg 9	M12x1.5	8	19	20	10.5
APPG9L-M16	Pg 9	M16x1.5	8	20	20	10.5
APPG11L-M16	Pg 11	M16x1.5	8	22	20	13.5
APPG11L-M20	Pg 11	M20x1.5	8	24	20	13.5
APPG13L-M16	Pg 13.5	M16x1.5	9	24	21	15
APPG13L-M20	Pg 13.5	M20x1.5	9	24	21	15
APPG16L-M20	Pg 16	M20x1.5	10	27	22	17.5
APPG16L-M25	Pg 16	M25x1.5	10	30	22.5	17.5
APPG21L-M32	Pg 21	M32x1.5	11	37	25.5	22.5
APPG29L-M32	Pg 29	M32x1.5	11	42	25.5	30.5

1-800-447-2371 – www.lutze.com



Lutze TOP-T Fittings NPT ●

Metal NPT



Part No.	Thread A	Clamping Range Ø C	L mm	SW1 mm	SW2 mm	H mm
NPT FITTINGS						
FMNPT38	NPT 3/8"	3-9	8	20	20	33
FMNPT12	NPT 1/2"	5-13	10	24	24	37.5
FMNPT34	NPT 3/4"	8-16	11	30	30	40.5
FMNPT10	NPT 1"	12-21	14	40	40	44
LOCKNUTS						
LMNPT38	NPT 3/8"			22		5
LMNPT12	NPT 1/2"			24		6
LMNPT34	NPT 3/4"			30		7

Characteristics:

- Integrated strain relief
- Anti-twist design
- Wide sealing and clamping range
- Easy to install
- Temperature range -20°C - +100°C /
 +14 - +212 F
- Protection Grade IP68 – 5 bar

Fitting Specifications:

Design allows for shield termination	
Dome nut	Brass CuZn39Pb3, nickel-plated
Clamping insert	Polyamide PA6 V-2
Sealing ring	Polychloroprene-Nitrile rubber CR/NBR
Inner sealing ring	Evoprene TPE
Gland body	Brass CuZn39Pb3, nickel-plated
Connecting thread	NPT

Locknut specifications:

- For secure tightening of cable glands and accessories
- Temperature range up to +200°C / +392 F
- Hexagonal locknut Brass CuZn39Pb3,
 nickel-plated
- Internal Thread NPT

1-800-447-2371 – www.lutze.com



Lutze TOP-T Fittings Pg ●

Metal Pg



Part No.	Thread A	Clamping Range Ø C	L mm	SW1 mm	SW2 mm	H mm
FITTINGS Standard						
FMPG7	Pg 7	3-6.5	5	14	14	24
FMPG9	Pg 9	4-8	6	17	17	29
FMPG11	Pg 11	5-10	6	20	20	29.5
FMPG13	Pg 13.5	6-12	6.5	22	22	31.5
FMPG16	Pg 16	10-14	6.5	24	24	31.5
FMPG21	Pg 21	13-18	7	30	30	34
FMPG29	Pg 29	18-25	8	40	40	39
FMPG36	Pg 36	24-32	9	50	50	45
FMPG42	Pg 42	30-38	10	57	57	49
FMPG48	Pg 48	34-44	10	64	64	52

FITTINGS LONG THREAD						
FMPG7-L	Pg 7	3-6.5	15	14	14	34
FMPG9-L	Pg 9	4-8	15	17	17	38
FMPG11-L	Pg 11	5-10	15	20	20	38.5
FMPG13-L	Pg 13.5	6-12	15	22	22	40
FMPG16-L	Pg 16	10-14	15	24	24	40
FMPG21-L	Pg 21	13-18	15	30	30	42
FMPG29-L	Pg 29	18-25	15	40	40	46

REDUCED CLAMPING RANGE						
FMPG7-R	Pg 7	2-5	5	14	14	24
FMPG9-R	Pg 9	2-6	6	17	17	29
FMPG11-R	Pg 11	3-7	6	20	20	29.5
FMPG13-R	Pg 13.5	5-9	6.5	22	22	31.5
FMPG16-R	Pg 16	7-12	6.5	24	24	31.5
FMPG21-R	Pg 21	9-16	7	30	30	34
FMPG29-R	Pg 29	12-20	8	40	40	39
FMPG36-R	Pg 36	20-26	9	50	50	45

LOCKNUTS						
LMPG7	Pg 7			15		2.8
LMPG9	Pg 9			18		2.8
LMPG11	Pg 11			21		3
LMPG13	Pg 13.5			23		3
LMPG16	Pg 16			26		3
LMPG21	Pg 21			32		3.5
LMPG29	Pg 29			41		4
LMPG36	Pg 36			51		5
LMPG42	Pg 42			65		5
LMPG48	Pg 48			69		5.5

Characteristics:

- Integrated strain relief
- Anti-twist design
- Wide sealing and clamping range
- Easy to install
- Temperature range -20°C - +100°C / +14 - +212 F
- Protection Grade IP68 – 5 bar

Fitting Specifications:

Dome nut	Brass CuZn39Pb3, nickel-plated
Clamping insert	Polyamide PA6 V-2
Sealing ring	Polychloroprene-Nitrile rubber CR/NBR
Gland body	Brass CuZn39Pb3, nickel-plated
Connecting thread	Pg as per DIN 40430
Inner sealing ring	Evoprene TPE
O-ring	Nitrile rubber NBR

Locknut specifications:

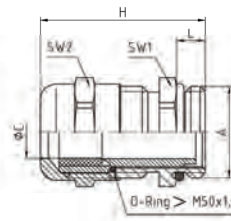
- For secure tightening of cable glands and accessories
- Temperature range up to +200°C / +392 F
- Hexagonal locknut Brass CuZn39Pb3, nickel-plated

1-800-447-2371 – www.lutze.com



Lutze TOP-T Fittings Metric ●

Metal Metric



Part No.	Thread A	Clamping Range Ø C	L mm	SW1 mm	SW2 mm	H mm
FITTINGS						
FMM12	M12x1.5	3-6	5	14	14	25
FMM16	M16x1.5	5-9	5	17	17	30
FMM20	M20x1.5	9-13	6	22	22	33.5
FMM25	M25x1.5	11-16	7	27	27	36.5
FMM32	M32x1.5	14-21	8	34	34	38
FMM40	M40x1.5	19-27	8	43	43	41
FMM50	M50x1.5	24-35	9	55	55	49.5
FMM63	M63x1.5	32-42	10	65	65	52.5

Characteristics:

- Integrated strain relief
- Anti-twist design
- Wide sealing and clamping range
- Easy to install
- Temperature range -20°C - +100°C / +14 - +212 F
- Protection Grade IP68 – 5 bar

FITTINGS LONG THREAD						
FMM12-L	M12x1.5	3-6	10	14	14	30
FMM16-L	M16x1.5	5-9	10	17	17	35
FMM20-L	M20x1.5	9-13	10	22	22	37.5
FMM25-L	M25x1.5	11-16	11	27	27	40.5
FMM32-L	M32x1.5	14-21	13	34	34	43
FMM40-L	M40x1.5	19-27	13	43	43	46
FMM50-L	M50x1.5	24-35	14	55	55	54.5
FMM63-L	M63x1.5	32-42	14	65	65	56.5

Fitting Specifications:

Dome nut	Brass CuZn39Pb3, nickel-plated
Clamping insert	Polyamide PA6 V-2
Sealing ring	Polychloroprene-Nitrile rubber CR/NBR
Gland body	Brass CuZn39Pb3, nickel-plated
Connecting thread	metric as per EN 60423
O-ring	Nitrile rubber NBR
Inner sealing ring	Evoprene TPE

FITTINGS REDUCED CLAMPING RANGE						
FMM12-R	M12x1.5	2-5	5	14	14	25
FMM16-R	M16x1.5	3-9	5	17	17	30
FMM20-R	M20x1.5	5-13	6	22	22	33.5
FMM25-R	M25x1.5	8-16	7	27	27	36.5
FMM32-R	M32x1.5	12-21	8	34	34	38
FMM40-R	M40x1.5	16-27	8	43	43	41
FMM50-R	M50x1.5	21-35	9	55	55	49.5
FMM63-R	M63x1.5	27-48	10	65	65	52.5

Locknut specifications:

- For secure tightening of cable glands and accessories
- Temperature range up to +200°C / +392 F
- Hexagonal locknut Brass CuZn39Pb3, nickel-plated

LOCKNUTS						
LMM12	M12x1.5			15		2.8
LMM16	M16x1.5			19		2.8
LMM20	M20x1.5			24		3
LMM25	M25x1.5			30		3.5
LMM32	M32x1.5			36		4
LMM40	M40x1.5			46		5
LMM50	M50x1.5			60		5
LMM63	M63x1.5			70		6

1-800-447-2371 – www.lutze.com



Lutze TOP-T Fittings Metric EMC●

Metal Metric EMC (Electro Magnetic Compatibility)



Part No.	Thread A	Clamping Range Ø C	L mm	SW1 mm	SW2 mm	H mm
EMC FITTING						
FMM12-C	M12x1.5	3-6	5	14	14	25
FMM16-C	M16x1.5	5-9	5	17	17	30
FMM20-C	M20x1.5	9-13	6	22	22	33,5
FMM25-C	M25x1.5	11-16	7	27	27	36,5
FMM32-C	M32x1.5	14-21	8	34	34	38
FMM40-C	M40x1.5	19-27	8	43	43	41
FMM50-C	M50x1.5	24-35	9	55	55	49,5

Characteristics:

- For shielded cable
- Integrated strain relief
- Anti-twist design
- Wide sealing and clamping range
- Easy to install
- Temperature range -20°C - +100°C / +14 - +212 F
- Protection Grade IP68 – 5 bar

EMC LOCKNUTS - CUTTING TEETH

LMM12-C	M12x1.5	4.5	15	5.5
LMM16-C	M16x1.5	4.5	19	5.5
LMM20-C	M20x1.5	4.5	24	5.5
LMM25-C	M25x1.5	4.5	30	5.5
LMM32-C	M32x1.5	4.5	36	5.5
LMM40-C	M40x1.5	5	46	6
LMM50-C	M50x1.5	5	60	6
LMM63-C	M63x1.5	6	70	7

Fitting Specifications:

Dome nut	Brass CuZn39Pb3, nickel-plated
Clamping insert	Polyamide PA6 V-2
Sealing ring	Polychloroprene-Nitrile rubber CR/NBR
Gland body	Brass CuZn39Pb3, nickel-plated
O-ring	Nitrile rubber NBR
Connecting thread	metric as per EN 60423

Locknut specifications:

- For secure tightening of EMC cable glands and accessories
- To cut through paint layers or powder coatings ensuring optimal contact
- Increased vibration resistance
- Temperature range up to +200°C / +392 F
- Hexagonal locknut Brass CuZn39Pb3, nickel-plated



1-800-447-2371 – www.lutze.com



Lutze TOP-T Fitting Accessories Pg ●

Metal Pg Reducer and Pg Enlarger



Reducer Characteristics:

- Reduction of threaded or clearance holes to smaller thread size
- Temperature range -30°C - +100°C / -22 - +212 F
- Reduction Brass CuZn39Pb3, nickel-plated
- O-ring Nitrile rubber NBR
- Internal/External thread Pg as per DIN 40430

Enlarger Characteristics:

- Enlarger of threaded or clearance holes to larger thread size
- Temperature range up to +200 °C / +392 F
- Enlarger Polyamide PA6 GF30
- Internal/External thread Pg as per DIN 40430

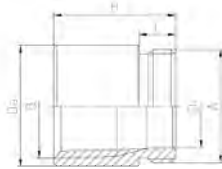
Part No.	Thread A	Thread B	L mm	SW1 mm	H mm	Di mm
REDUCER						
RMPG9-7	Pg 9	Pg 7	6	18	8.5	
RMPG11-7	Pg 11	Pg 7	6	20	8.5	
RMPG11-9	Pg 11	Pg 9	6	20	8.5	
RMPG13-9	Pg 13.5	Pg 9	6.5	24	9.5	
RMPG13-11	Pg 13.5	Pg 11	6.5	24	9.5	
RMPG16-9	Pg 16	Pg 9	6.5	24	9.5	
RMPG16-11	Pg 16	Pg 11	6.5	24	9.5	
RMPG16-13	Pg 16	Pg 13.5	6.5	24	9.5	
RMPG21-11	Pg 21	Pg 11	7	32	10	
RMPG21-13	Pg 21	Pg 13.5	7	32	10	
RMPG21-16	Pg 21	Pg 16	7	32	10	
RMPG29-16	Pg 29	Pg 16	8	41	11.5	
RMPG29-21	Pg 29	Pg 21	8	41	11.5	
RMPG36-21	Pg 36	Pg 21	9	50	12.5	
RMPG36-29	Pg 36	Pg 29	9	50	12.5	
RMPG42-36	Pg 42	Pg 36	10	60	14	
ENLARGER						
EMPG7-9	Pg 7	Pg 9	5	17	15	10
EMPG9-11	Pg 9	Pg 11	6	20	16.5	12
EMPG11-13	Pg 11	Pg 13.5	6	22	17.5	15
EMPG13-16	Pg 13.5	Pg 16	6.5	24	19	17
EMPG16-21	Pg 16	Pg 21	6.5	30	21	18.5
EMPG21-29	Pg 21	Pg 29	7	39	23	24
EMPG29-36	Pg 29	Pg 36	8	50	27.5	32
EMPG36-42	Pg 36	Pg 42	9	57	31	42

1-800-447-2371 – www.lutze.com



Lutze TOP-T Fitting Accessories ●

Metal Pg to NPT, Metric to Pg and Metric to NPT Adapters



Adapter Pg to NPT Characteristics:

- Adapter from Pg to NPT thread
- Temperature range up to +200°C/ +392 F
- Reduction Brass CuZn39Pb3, nickel-plated
- External thread Pg as per DIN 40430
- Internal thread NPT

Adapter METRIC to Pg Characteristics:

- Adapter from metric to Pg thread
- Temperature range up to +200°C/ +392 F
- Adapter Brass CuZn39Pb3, nickel-plated
- External thread Metric as per EN 60423
- Internal thread Pg as per DIN 40430

Adapter METRIC to NPT Characteristics:

- Adapter from metric to NPT thread
- Temperature range up to +200°C/ +392 F
- Adapter Brass CuZn39Pb3, nickel-plated
- External thread Metric as per EN 60423
- Internal thread NPT

Part No.	Thread A	Thread B	L mm	H mm	Da mm	Di mm
Pg TO NPT						
AMPG11-38	Pg 11	NPT 3/8"	6	20	20	13.5
AMPG11-12	Pg 11	NPT 1/2"	6.5	24.5	24	13
AMPG13-12	Pg 13.5	NPT 1/2"	6.5	24.5	24	17
AMPG16-12	Pg 16	NPT 1/2"	6.5	24.5	24	17
AMPG21-34	Pg 21	NPT 3/4"	7	25	30	22
AMPG29-10	Pg 29	NPT 1"	8	26	39	29

METRIC TO Pg			L mm	SW1 mm	H mm	Di mm
AMM12-PG9	M12x1.5	Pg 9	6	17	16.5	8.2
AMM16-PG11	M16x1.5	Pg 11	6	20	17	12
AMM20-PG11	M20x1.5	Pg 11	6.5	22	17.5	15
AMM20-PG13	M20x1.5	Pg13.5	6.5	22	19	16
AMM25-PG16	M25x1.5	Pg 16	7	27	20.5	18.5
AMM25-PG21	M25x1.5	Pg 21	7	30	22	21
AMM32-PG29	M32x1.5	Pg 29	8	40	24.5	27.5
AMM40-PG29	M40x1.5	Pg 29	8	43	24.5	32
AMM50-PG36	M50x1.5	Pg 36	9	55	28.5	42

METRIC TO NPT			L mm	H mm	Da mm	Di mm
AMM16-12	M16x1.5	NPT 1/2"	6.5	25	24	11
AMM20-12	M20x1.5	NPT 1/2"	6.5	25	24	15
AMM25-34	M25x1.5	NPT 3/4"	7	28	30	18
AMM32-34	M32x1.5	NPT 3/4"	8	26	37	23
AMM32-10	M32x1.5	NPT 1"	8	33	38	27

1-800-447-2371 – www.lutze.com



Lutze TOP-T Fitting Accessories Metric ●

Metal Metric Reducer and Metric Enlarger



Reducer Characteristics:

- Reduction of threaded or clearance holes to smaller thread size
- Temperature range -30°C - +100°C / -22 - +212 F
- Reduction Brass CuZn39Pb3, nickel-plated
- O-ring Nitrile rubber NBR
- Internal/External thread Metric as per EN 60423

Enlarger Characteristics:

- Enlarger of threaded or clearance holes to larger thread size
- Temperature range up to +200°C / +392 F
- Enlarger Brass CuZn39Pb3, nickel-plated
- Internal/External thread Metric as per EN 60423

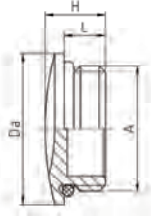
Part No.	Thread A	Thread B	L mm	SW1 mm	H mm	Di mm
REDUCER						
RMM16-12	M16x1.5	M12x1.5	5	17	8	
RMM20-12	M20x1.5	M12x1.5	6	22	9	
RMM20-16	M20x1.5	M16x1.5	6	22	9	
RMM25-16	M25x1.5	M16x1.5	7	27	10	
RMM25-20	M25x1.5	M20x1.5	7	27	10	
RMM32-20	M32x1.5	M20x1.5	8	34	11	
RMM32-25	M32x1.5	M25x1.5	8	34	11	
RMM40-25	M40x1.5	M25x1.5	8	43	12	
RMM40-32	M40x1.5	M32x1.5	8	43	12	
RMM50-32	M50x1.5	M32x1.5	9	55	13	
RMM50-40	M50x1.5	M40x1.5	9	55	13	
ENLARGER						
EMM12-16	M12x1.5	M16x1.5	5	18	16	8
EMM16-20	M16x1.5	M20x1.5	5	22	16.5	12
EMM20-25	M20x1.5	M25x1.5	6	27	18.5	15
EMM25-32	M25x1.5	M32x1.5	7	34	20.5	21
EMM32-40	M32x1.5	M40x1.5	8	42	23.5	26

1-800-447-2371 – www.lutze.com



Lutze Blanking Plug●

Metal Metric Blanking Plug with O-Ring



Characteristics:

- For secure sealing of unused threaded holes
- Integrated Nitrile Rubber (NBR) O-ring
- Easy to install
- Temperature range -30°C - +100°C / +14 - +212 F
- Protection Grade IP68 – 5 bar

Part No.	Thread	L mm	H mm	Da mm	Min Qty
600201	M12X1.5	5	8	16	100
600202	M16X1.5	6	9	20	100
600203	M20X1.5	6.5	9.5	24	100
600204	M25X1.5	7	11	28	100
600205	M32X1.5	8	12	35	50
600206	M40X1.5	8	12	45	50
600207	M50X1.5	9	15	55	25
600208	M63X1.5	10	16	68	10

Fitting Specifications:

Blanking plug	Brass CuZn39Pb3, nickel-plated
O-ring	Nitrile rubber NBR
Connecting thread	metric as per EN 60423

1-800-447-2371 – www.lutze.com



Lutze Fittings Cablefix ●

Cablefix



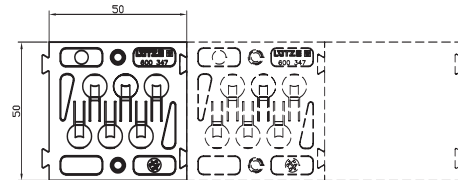
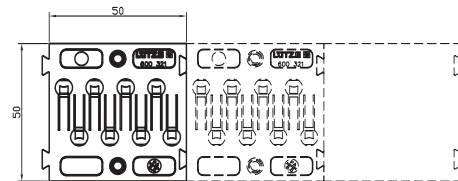
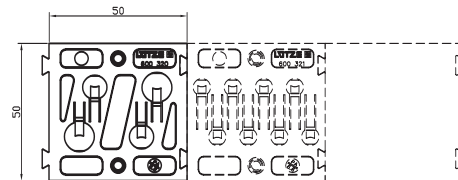
Characteristics:

- Integrated strain relief in one direction
- Easy to install: cable pushes easily into position, locks itself and it can no longer be pulled out unless the clamp is released
- An integrated seal protects up to IP55 air and water tight
- Individual cables can be easily loosened and replaced for troubleshooting, maintenance or retrofitting
- Various cablefix plates can be installed together to suit most applications
- Blanking plugs are supplied to seal unused holes

Fitting Specifications:

Temperature range	-30°C - +70°C / -22 - +212 F
Halogen-free	yes
Burning behavior	the PA part according to UL 94 V2
Silicone free	yes
Enclosure wall thickness	max 3 mm
Protection class	IP 55
Seal NBR60	Oil resistant

Part No.	Type	Dimensions (WxHxD)	Cut out W x H	Number of cables x cable Ø mm
		mm	mm	
600320	1xB/V	50.0 x 50.0 x 10.0	46 x 46	2 x 6.1-8.8 + 2 x 7.8-10.7
600321	1xS/A	50.0 x 50.0 x 10.0	46 x 46	8 x 3.8-6.3
600347	1xST	50.0 x 50.0 x 10.0	46 x 46	6 x 6.3-8.9



1-800-447-2371 – www.lutze.com



Lutze TOP-T Fittings Accessories ●

Multihole Insert TPE Pg, Metric, NPT



Characteristics:

- Multiple hole insert for two or more cables in one fitting
- Replaces the existing rubber insert to offer multiple hole installation
- Suitable for plastic and metal fittings
- Solid inserts can be drilled to suit any application
- Minimum quantity 100 pcs/package

Insert Specifications:

Material TPE

Part No.	Fits Size Pg	Fits Size Metric	Fits Size NPT	Outer- Ø mm	Number of Cables x Ø mm
600626	Pg 9			10	2 x 3.0
600627	Pg 9			10	4 x 3.0
600541	Pg 9			10	0 x 0.0
600628	Pg 11	M16	3/8"	13	2 x 4.0
600629	Pg 11	M16	3/8"	13	2 x 4.5
600635	Pg 11	M16	3/8"	13	3 x 4.0
600636	Pg 11	M16	3/8"	13	3 x 5.0
600542	Pg 11	M16	3/8"	13	0 x 0.0
600638	Pg 13.5	M20		15	2 x 4.5
600639	Pg 13.5	M20		15	2 x 5.0
600640	Pg 13.5	M20		15	2 x 6.0
600637	Pg 13.5	M20		15	3 x 4.0
600630	Pg 13.5	M20		15	3 x 5.0
600543	Pg 13.5	M20		15	0 x 0.0
600641	Pg 16	M25	1/2"	17	2 x 4.0
600644	Pg 16	M25	1/2"	17	2 x 6.0
600631	Pg 16	M25	1/2"	17	3 x 4.0
600643	Pg 16	M25	1/2"	17	3 x 5.0
600646	Pg 16	M25	1/2"	17	4 x 6.0
600633	Pg 16	M25	1/2"	17	5 x 4.0
600544	Pg 16	M25	1/2"	17	0 x 0.0
600645	Pg 16	M25	1/2"	17	3 x 6.0
600647	Pg 16	M25	1/2"	17	3 x 6.5
600642	Pg 16	M25	1/2"	17	4 x 4.0
600632	Pg 16	M25	1/2"	17	4 x 5.0
600648	Pg 21	M32	3/4"	22	2 x 7.0
600651	Pg 21	M32	3/4"	22	2 x 8.0
600653	Pg 21	M32	3/4"	22	2 x 9.0
600649	Pg 21	M32	3/4"	22	3 x 7.0
600652	Pg 21	M32	3/4"	22	3 x 8.0
600634	Pg 21	M32	3/4"	22	4 x 7.0
600545	Pg 21	M32	3/4"	22	0 x 0.0
600656	Pg 29		1"	29.5	5 x 8.5
600654	Pg 29		1"	29.5	6 x 5.0
600655	Pg 29		1"	29.5	8 x 5.0
600546	Pg 29		1"	29.5	0 x 0.0

1-800-447-2371 – www.lutze.com



Torque recommendations for Lutze Cable Fittings ●

Plastic and Metal Dome Nuts

Nominal Size	Recommended Torque in Nm Plastic	Recommended Torque in Nm Metal
NPT 3/8"	2.5	4.5
NPT 1/2"	3.0	5
NPT 3/4"	5.0	7.0
NPT 1"	5.0	7.0
PG7	2.5	6.25
PG9	3.75	6.25
PG11	3.75	6.25
PG13.5	3.75	6.25
PG16	5.0	7.5
PG21	7.5	10.0
PG29	7.5	10.0
PG36	7.5	10.0
PG42	7.5	10.0
PG48	7.5	10.0
M12x1.5	1.0	5
M16x1.5	2.5	5
M20x1.5	4.0	7.5
M25x1.5	6.0	10
M32x1.5	7.0	15
M40x1.5	7.5	18
M50x1.5	8.0	20
M63x1.5	9.0	20

The specified values are recommended for achieving the protection class IP68 at 5 bar. Please choose the suitable torque for the material and cable application. The actual crush resistance of each cable must be considered. The values shown are for reference only.

Key to descriptive Lutze Fitting part numbers ●

KEY to Lutze part numbers: For example: **F P NPT 38 B- R**

<u>DESCRIPTION</u>	<u>MATERIAL</u>	<u>THREAD</u>	<u>SIZE</u>	<u>COLOR -</u>	<u>TYPE</u>
F=fitting	P=plastic	NPT=npt		B=black	R=reduced clamping range
L=locknut	M=metal	PG=Pg		G=gray	C=EMC
R=reducer		M=metric		L=light gray	KP=kink protection
E=enlarger					E=elbow
A=adapter					L=long

1-800-447-2371 – www.lutze.com



Lutze Inc. Product Overview



Control and Robotic Cables

Flexible and highly flexible cables for machine control and power distribution applications. A large variety of cables in stock in the USA.

Power Supplies

A comprehensive line of DIN rail mountable single and three phase power supplies for control applications ranging from 40 mA to 40 A.

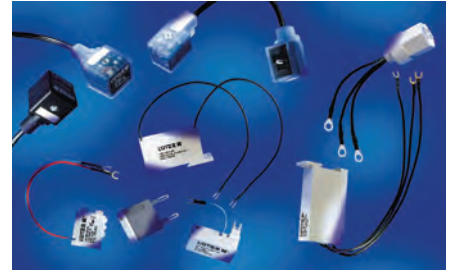


Lutze LSC Wiring System

The Ultimate Solution for your control cabinet: saves space, time and cost. LSC is an aluminum frame that replaces the traditional back panel and wire duct for mounting and wiring of electrical components in a control enclosure.

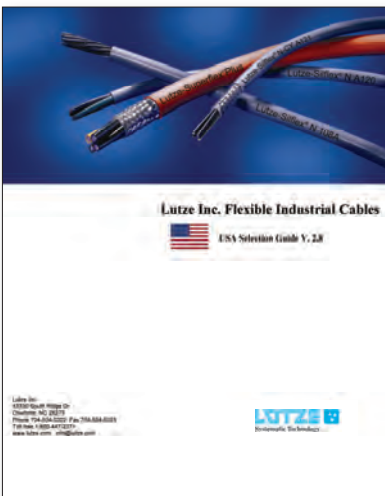
Surge Suppression Modules

Surge suppression for contactors, 3-phase motors and solenoid valves. All suppressors are designed to be installed close to power source.



Interface Technology

Relay modules, signal conditioning devices and DIN rail mountable interface modules.



Your Ultimate Partner in Cable is now your Ultimate Partner in Fittings and flexible Conduits as well.

Ask us about our brand new Conduit line!

To learn more about Lutze Industrial Cable, please refer to our Flexible Industrial Cable USA Selection Guide.



1-800-447-2371 – www.lutze.com

