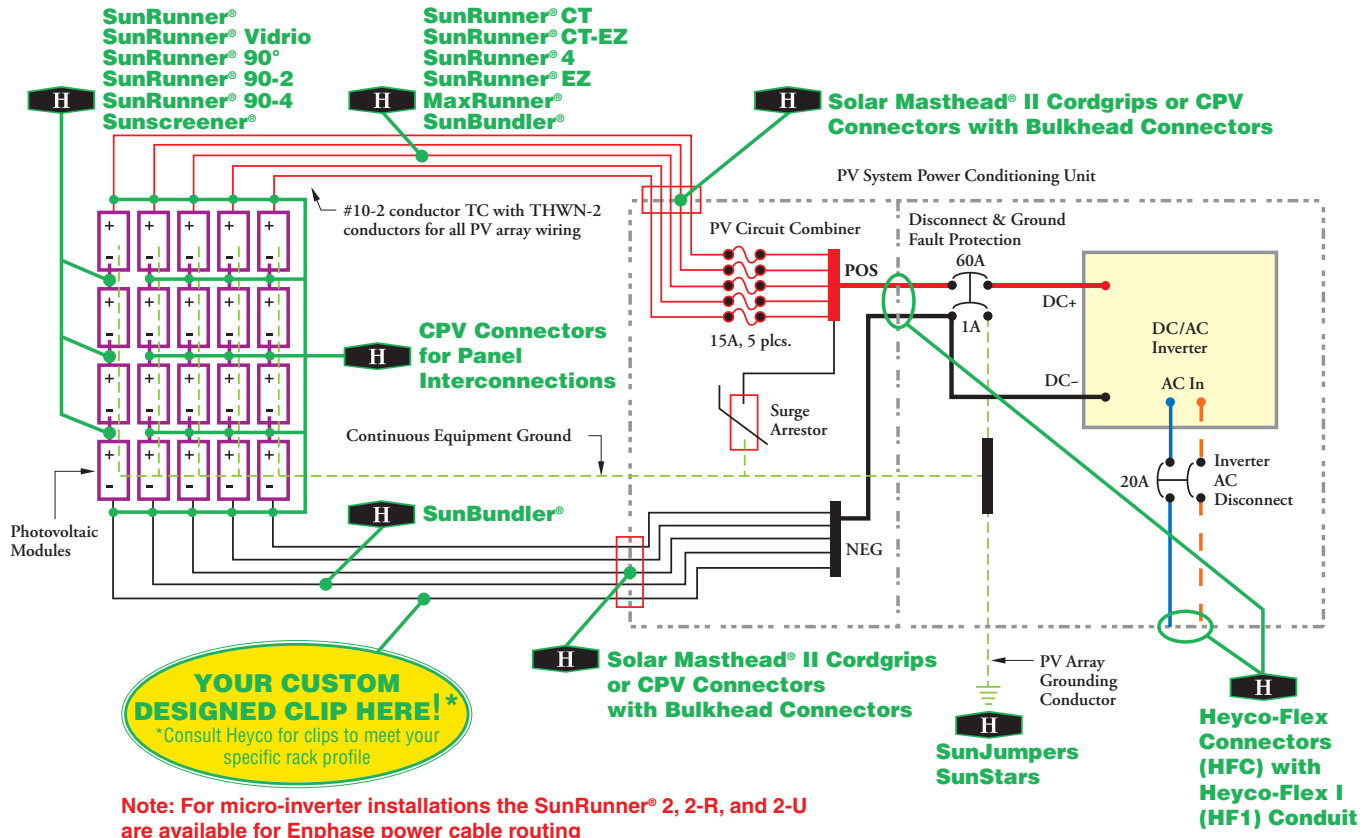


Contents:

- 1 Wire Management, Grounding and Screening Solutions, pages 1-0 thru 1-31
- 2 Enclosures and Module Components, pages 2-0 thru 2-39
- 3 Electrical Accessories, pages 3-0 thru 3-20

Heyco® Solar Power Components Used in Typical Grid-Tied PV System



Heyco Solar Products Warranty – Applies to all products in Section 1 (except NTMP, page 1-13 and pages 1-15 through 1-24) and products found on pages 2-33 through 2-38 only.

Heyco manufactures and sells products of the highest quality and stands behind them. In light of those facts, Heyco sells its products with the understanding and on the condition that the purchaser will test them in actual use and make his own determination as to their suitability and acceptability for his intended use, and the purchaser agrees to such condition. Use of Heyco products other than for the applications or environments illustrated herein constitutes a misuse for which the purchaser bears all responsibility.

Heyco warrants to the original purchaser that for a period of twenty (20) years from date of purchase the Heyco solar products shall be free from defects in material and workmanship. Except as set forth in the prior sentence, Heyco makes no other warranty, express or implied, and all other warranties are expressly disclaimed by Heyco. Heyco's obligation under this warranty and that of the seller is limited to the replacement of the defective product or the provision of new components at no charge. Under no circumstances are Heyco or the seller liable for any consequential, special, indirect, incidental, punitive or exemplary losses, damages or expenses, or for lost profits, lost business, or for lost opportunities, arising out of the use and/or inability to use the Heyco solar products, regardless of whether Heyco has been advised of the possibility of such damages.

In order to qualify for this warranty, the original purchaser must have installed the Heyco solar products in accordance with the appropriate Heyco installation instructions and all commercial building wiring standards and must not have subjected the Heyco solar products to abuse or mishandling.

Force Majeure—Heyco shall not be responsible or liable in any way to the purchaser for any failure or delay in performance under this warranty due to any cause beyond its control such as war, riots, strikes, natural disaster, acts of God, acts of terrorism, flood, fire, accident, delay in transportation, intervention by governmental entities, change in laws or regulations or any other unforeseen event beyond its control.