

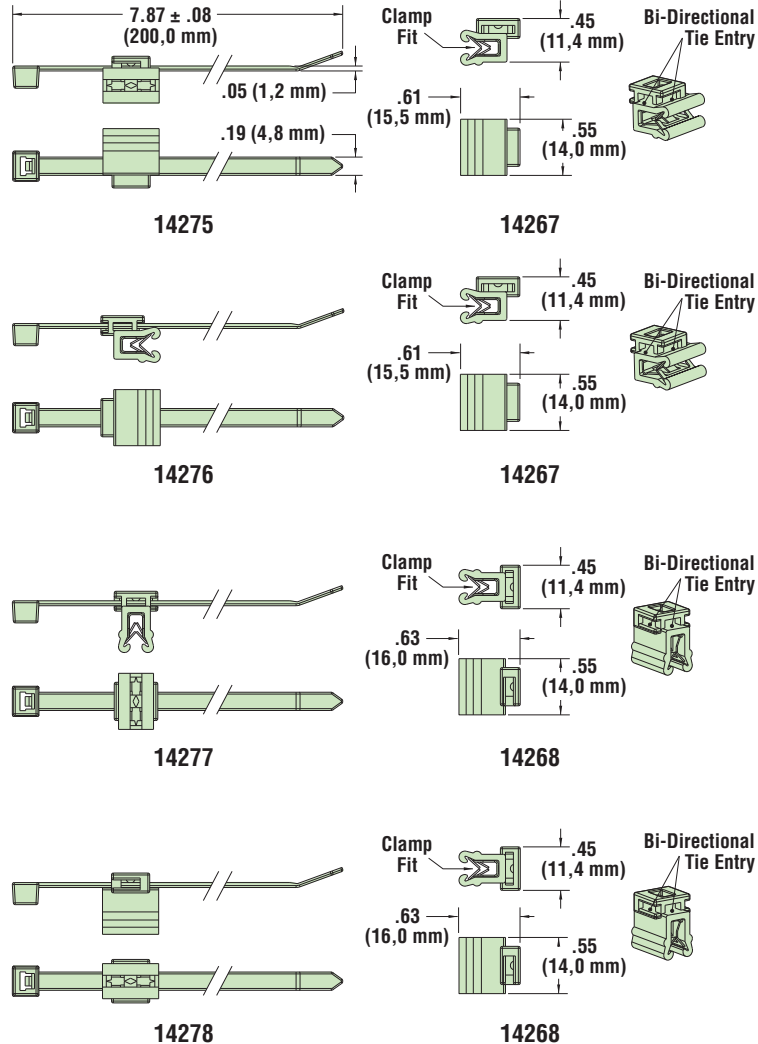
Heyco® Edge Clips

Edge Clips Unassembled or Assembled with 8" Cable Tie

- Ideal for use where holes cannot be used or where adhesives are unacceptable due to temperature issues.
- Applies easily to plastic and metal without the need for a mounting hole.
- Ideal for assembly usage. Clip provides low insertion force and high extraction.
- Two piece assembly allows the clip to slide along the strap ensuring proper orientation.

UNASSEMBLED EDGE CLIP			EDGE CLIP ASSEMBLED WITH CABLE TIE			ASSEMBLED NYTYE CABLE TIE					
Fixing	Part No. Black	Desc.	Cable Tie Orientation	Part No. Black	Description	Tensile Strength		Max. Bundle Diameter		Overall Length	
						Lbs.	N	in.	mm.	in.	mm.
For Panels from .04" (1,0 mm) to .12" (3,0 mm) Thick											
Top	14267	NTEC1-TB	Parallel	14275	NTEC1-TL-50-078	50	222	1.77	45.0	7.87	200
			Perpendicular	14276	NTEC1-TP-50-078						
Side	14268	NTEC1-SB	Perpendicular	14277	NTEC1-SP-50-078						
			Parallel	14278	NTEC1-SL-50-078						

Standard color black.



Quick Specs

Material	Clip: Nylon 6/6 high impact modified, heat and UV stabilized Cable Tie: Nylon 6/6 high impact modified, heat and UV stabilized or Nylon 12
Flammability Rating	94V-2
Temperature Range	-40°F (-40°C) to 221°F (105°C)