

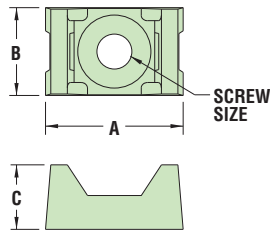


Heyco® Nytye® Mounting Platforms

Saddle Platforms – Screw Mount

MAX. TENSILE STRENGTH		SCREW SIZE		INSERT POINTS	PART NO.	DESCRIPTION	PART DIMENSIONS					
Lbs.	N	in.	mm.				A		B		C	
18	80	#4	3,0	2	4269	MP S-4	.51	13,0	.33	8,3	.24	6,1
50	222	#8	4,0	2	3759	MP S-8	.60	15,2	.38	9,7	.28	7,0
120	534	#10	5,0	2	3753	MP S-10	.87	22,2	.62	15,7	.39	9,9

Standard color natural.



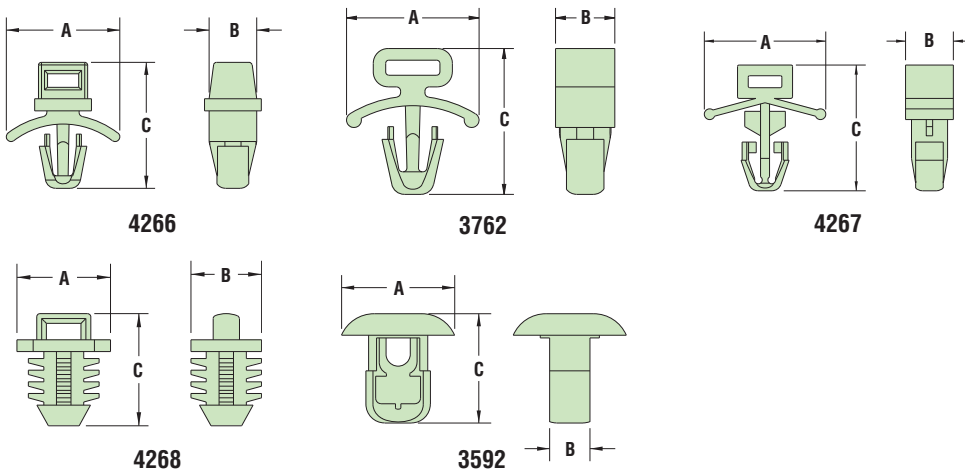
Saddle Platforms

- Multiple sizes, strengths, and mounting options anchor Nytyes® securely.
- Five Types:
 - 1) Flat - Adhesive-Back and Screw Mounts
 - 2) Saddle - Screw Mount only
 - 3) Push Mount - Arrowhead and Blind Mounts
 - 4) Snap Over Bolt
 - 5) Stainless Steel Clip
- Rubber based adhesive effective up to 126°F (52°C).
- Apply Adhesive-Backed parts to a clean, dry surface.

Push Mount Platforms

MAX. TENSILE STRENGTH		MOUNTING HOLE DIA.		MAX. PANEL THICKNESS*		INSERT POINTS	PART NO.	DESCRIPTION	PART DIMENSIONS					
Lbs.	N	in.	mm.	in.	mm.				A		B		C	
Arrowhead Mount														
50	222	.19	4,8	.08	2,0	2	4266	MP PM-19	.56	14,3	.24	6,1	.63	15,9
		.25	6,4	.11	2,8	2	3762	MP PM-25	.63	15,9	.28	7,1	.69	17,5
		.26	6,7	.35	9,0	2	4267	MP PM-26	.80	20,2	.31	7,9	.82	20,9
Blind Head Mount*														
40	178	.31	7,9	.25	6,4	2	4268	MP PMB-31	.43	11,0	.33	8,3	.52	13,1
Reverse Button Mount														
50	222	.25	6,4	.13	3,2	2	3592	MP R-2	.42	10,7	.15	3,8	.41	10,3

*Minimum Panel Thickness for Blind Mount Platforms



Material	Nylon 6/6
Flammability Rating	94V-2
Temperature Range	32°F (0°C) to 185°F (85°C)

Quick Specs