

“Stay Connected” with



Solar Power Components

a PennEngineering® Company

## Heyco® -Tite Snap-In-2® Liquid Tight Cordgrrips

### Pigtail™, Snap-In Hubs

For Panels from .062" (1,6 mm) to .125" (3,2 mm) Thick

The Ultimate in Liquid Tight Strain Relief Protection

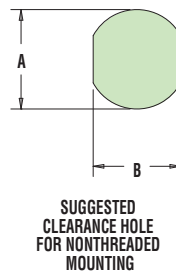
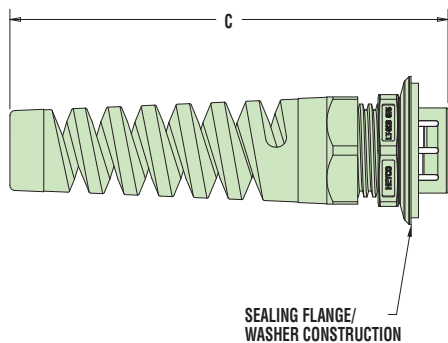
**NO LOCKNUT  
REQUIRED!**



CABLE DIA. RANGE				PART NO.	DESCRIPTION	UL or RU	PANEL DIMENSIONS					
Minimum		Maximum					Black	A Mounting Hole Dia.		B To Prevent Rotation		C Max. O.A. Length
in.	mm.	in.	mm.			in.		mm.	in.	mm.	in.	mm.
.065	1,7	.210	5,3	<b>M3862</b>	Flex LTRSCG 500	RU	.500	12,7	.450	11,4	2.50	63,5
.115	2,9	.250	6,4	<b>M3860</b>	Flex LTSCG 500							
.065	1,7	.230	5,8	<b>M3868</b>	Flex LTRSCG 625	RU	.625	15,9	.550	14,0	2.83	71,9
.105	2,7	.315	8,0	<b>M3866</b>	Flex LTSCG 625							
.069	1,8	.250	6,4	<b>M3874</b>	Flex LTRSCG 750	RU	.750	19,1	.660	16,8	3.46	87,9
.230	5,8	.395	10,0	<b>M3872</b>	Flex LTSCG 750							
.095	2,4	.260	6,6	<b>M3880</b>	Flex LTRSCG 875	RU	.875	22,2	.770	19,6	3.86	98,0
.170	4,3	.450	11,4	<b>M3878</b>	Flex LTSCG 875							
.180	4,6	.440	11,2	<b>M3886</b>	Flex LTRSCG 1000	RU	1.000	25,4	.875	22,2	4.32	109,7
.260	6,6	.546	13,9	<b>M3884</b>	Flex LTSCG 1000							
.485	12,3	.709	18,0	<b>M3896</b>	Flex LTSCG 1125	RU	1.125	28,6	1.000	25,4	4.90	124,5

Standard color black.

- Integral nylon spring eases the cable into a lazy bend; prevents kinking and assures longest cable and product life.
- Easy installation—unique fingers securely snap into a range of panel thicknesses – up to .125" (3,2 mm) – with no tools or locknuts required.
- Sealing flange prevents sealing washer displacement due to water velocity to ensure a liquid tight IP 65 seal.
- Eliminate need for locknut or threaded hole to achieve liquid tight seal at panel; perfect for low clearance installation where locking nut access is limited.
- Ratchet design of sealing nut assembly provides superior anti-vibration and ensures a firm grip on the cable.
- Foam washer included.
- Rotation prevented when used in Double D mounting holes.
- For Double D Mounting Hole Punches, see page 4-30 in Heyco Catalog 117.
- Available in multiple sizes for flexible cord diameters ranging from .065" (1,7 mm) to .709" (18,0 mm).
- We recommend using the fitting with the smallest maximum diameter that will fit your application.
- Consult Heyco for cordgrrips molded in other colors.



Material  
Certifications

Nylon 6/6 w/Buna N or TPE Sealing Gland  
 Recognized under Components Program of Underwriters' Laboratories File E51579

Flammability Rating  
Temperature Range

Certified by Canadian Standard Association File 93876C  
94V-2

IP Rating

Static -40°F (-40°C) to 239°F (115°C)  
Dynamic -4°F (-20°C) to 212°F (100°C)  
IP 65

Quick  
Specs