



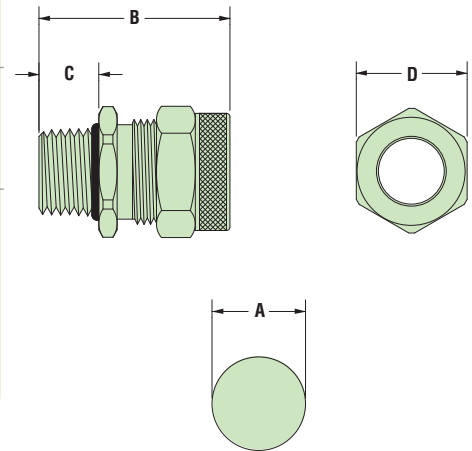
## Heyco® -Tite Aluminum Liquid Tight Cordgrips

### Straight-Thru, NPT Hubs

The Ultimate in Liquid Tight Strain Relief Protection

CABLE DIA. RANGE				PART NO.	THREAD SIZE	UL	PART DIMENSIONS									
Minimum		Maximum					Machined Aluminum	A		B		C		D		
in.	mm.	in.	mm.		Clearance Hole Dia.	in.		mm.	Max. O.A. Length	in.	mm.	Thread Length	in.	mm.	Wrenching Flat Size	in.
.125	3,2	.188	4,8	<b>M5029</b>	NPT 3/4	UL	1.09	27,7	1.62	41,1	.56	14,2	1.13	28,7		
.188	4,8	.250	6,4	<b>M5030</b>												
.250	6,4	.312	7,9	<b>M5031</b>												
.312	7,9	.375	9,5	<b>M5032</b>												
.375	9,5	.438	11,1	<b>M5033</b>												
.438	11,1	.500	12,7	<b>M5034</b>												
.500	12,7	.562	14,3	<b>M5035</b>	NPT 3/4	UL	1.09	27,7	1.82	46,2	.56	14,2	1.37	34,8		
.562	14,3	.625	15,9	<b>M5036</b>												
.438	11,1	.500	12,7	<b>M5037</b>												
.500	12,7	.562	14,3	<b>M5038</b>												
.562	14,3	.625	15,9	<b>M5039</b>												
.562	14,3	.688	17,5	<b>M5040</b>												
.625	15,9	.750	19,1	<b>M5041</b>	NPT 1	UL	1.38	35,1	2.03	51,6	.62	15,7	1.56	39,6		
.688	17,5	.812	20,6	<b>M5042</b>												
.438	11,1	.562	14,3	<b>M5050</b>												
.562	14,3	.625	15,9	<b>M5051</b>												
.562	14,3	.688	17,5	<b>M5052</b>												
.625	15,9	.750	19,1	<b>M5053</b>												
.688	17,5	.812	20,6	<b>M5054</b>	NPT 1	UL	1.38	35,1	2.50	63,5	.69	17,5	2.25	57,2		
.750	19,1	.875	22,2	<b>M5055</b>												
.812	20,6	.938	23,8	<b>M5056</b>												
.875	22,2	1.000	25,4	<b>M5057*</b>												
.875	22,2	1.000	25,4	<b>M5058</b>												
1.000	25,4	1.125	28,6	<b>M5059</b>												
1.125	28,6	1.250	31,8	<b>M5060</b>	NPT 1-1/4	UL	1.72	43,7	2.50	63,5	.69	17,5	2.25	57,2		
1.250	31,8	1.375	34,9	<b>M5061</b>												
.562	14,3	.688	17,5	<b>M5062</b>												
.688	17,5	.812	20,6	<b>M5063</b>												
.750	19,1	.875	22,2	<b>M5064</b>												
.875	22,2	1.000	25,4	<b>M5065</b>												
1.000	25,4	1.125	28,6	<b>M5066</b>	NPT 1-1/4	UL	1.72	43,7	2.50	63,5	.69	17,5	2.25	57,2		
1.125	28,6	1.250	31,8	<b>M5067</b>												
1.250	31,8	1.375	34,9	<b>M5068</b>												

- **Aluminum construction** provides excellent durability and performance for most **industrial applications**.
- For use in both indoor and outdoor applications to prevent cable pull-out, control arc of bend, and to provide a tight seal against environmental elements such as dirt, moisture, and coolants.
- IP 67 rated.
- Protect cable from damage and pull-out and are used in conduit hubs or knock-outs at the point where the electrical cable is to be terminated.
- Unique design with a combination tightening surface that includes both a hex area and a knurled surface.
- Anti-friction washer allows for easier compression.
- DFARS Compliant



SUGGESTED CLEARANCE HOLE FOR NONTHEADED MOUNTING

Assembled O-ring **INCLUDED**. \*Not UL Listed or CSA Certified.  
Locknut not included - See page 3-17 for Metal Locknuts.

Material	Aluminum with Neoprene Sealing Gland and Viton® O-Ring
Certifications	<ul style="list-style-type: none"> <li>UL Listed under Underwriters' Laboratories File E51579</li> <li>CSA Certified by Canadian Standard Association File 258093</li> </ul>
Flammability Rating	94V-2
Temperature Range	-40°F (-40°C) to 250°F (121°C)
IP Rating	IP 67