

**NO O-RING  
REQUIRED!**

## Heyco® -Tite Nylon Liquid Tight Romex® and Other Oval Hole Connectors

### Straight-Thru, NPT Hubs with Integral Sealing Ring

For Romex® NM-B and UF-B Cables. For use in clearance or threaded holes, electrical conduit couplings and adapters.

*The Ultimate in Liquid Tight Strain Relief Protection*

- **Multiple gland sizes for 12/2 through 14/3 Romex® NM-B and UF-B cable.** Consult Heyco for additional cable sizes.
- Hub sizes for 1/2 NPT and 3/4 NPT electrical knock-outs or threaded couplings. Consult Heyco for PG and Metric threaded hubs.
- Ratchet design of sealing nut assembly provides superior anti-vibration protection and ensures a firm grip on this cable.
- Integral Sealing Ring ensures a superior seal at mounting locations every time.
- All nylon construction with TPE sealing gland resists salt water, weak acids, gasoline, alcohol, oil, grease, and common solvents. (This feature is not assessed by UL.)
- **Assembled Metal Locknuts INCLUDED.**

WILL FIT THESE CABLES			PART NO.	DESCRIPTION	UL	PART DIMENSIONS									
Romex® Type	AWG/ Conds.	Approximate Size in. mm.				Black	A Clearance Hole Dia. in. mm.	B Max. O.A. Length in. mm.	C Thread Length in. mm.	D Wrenching Nut Thickness in. mm.		E Flat Size in. mm.			

**Romex® Connectors – assembled steel locknuts included**

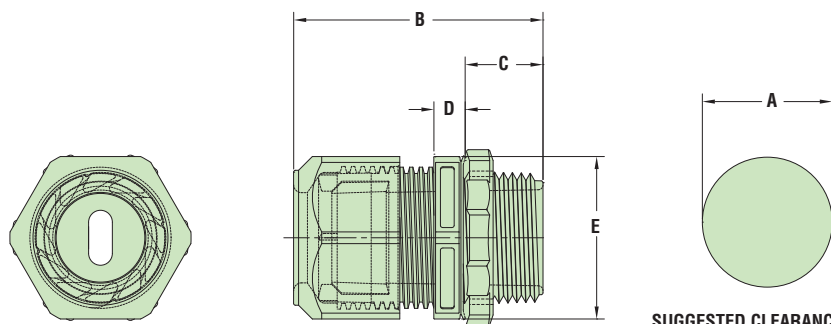
NM-B	14/2	.19 x .39	4,9 x 9,9	M3231GZA*	LTCG 1/2	UL	.875	22,2	1.70	43,2	.61	15,5	.21	5,3	.98	24,9
				M3234GZA	LTCG 3/4	-	1.040	26,4	2.00	50,8	.62	15,7	.25	6,4	1.30	33,0
NM-B	12/2	.21 x .42	5,3 x 10,7	M3231GZB*	LTCG 1/2	UL	.875	22,2	1.70	43,2	.61	15,5	.21	5,3	.98	24,9
				M3234GZB	LTCG 3/4	UL	1.040	26,4	2.00	50,8	.62	15,7	.25	6,4	1.30	33,0
UF-B	14/2	.18 x .35	4,5 x 8,9	M3234GZE	LTCG 3/4	-										
	12/2	.19 x .42	4,8 x 10,7	M3234GZF	LTCG 3/4	UL	1.040	26,4	2.00	50,8	.62	15,7	.25	6,4	1.30	33,0
		14/3	.19 x .63	4,8 x 16,1												

**Other Oval Hole LTCGs – locknuts not included**

n/a	n/a	.45 x .21	11,4 x 5,3	M3234GZK	LTCG 3/4	-	1.040	26,4	2.00	50,8	.62	15,7	.25	6,4	1.30	33,0
		.31 x .19	7,9 x 4,8	M3234GZM	LTCG 3/4											
		.69 x .19	17,5 x 4,8	M8437GZH	LTCG 1	-	1.326	33,7	2.41	61,2	.76	19,3	.30	7,6	1.73	43,9


Standard color black.

\*  Certified by Canadian Standard Association for NMD-90 wire-File 93876.



**SUGGESTED CLEARANCE HOLE FOR NON - THREADED MOUNTING**

*Quick  
Specs*

Material	Nylon 6/6 with TPE Sealing Gland
Certifications	 Listed under Underwriters' Laboratories File E103540
Flammability Rating	94V-2
Temperature Range	Static -40°F (-40°C) to 239°F (115°C) Dynamic -4°F (-20°C) to 212°F (100°C)
IP Rating	IP 68