

“Stay Connected” with



Solar Power Components

a PennEngineering® Company

HEYClip™ SunRunner® 90° Cable Clips

Double-Compression, Right Angle Design

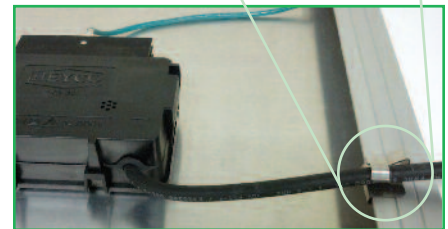
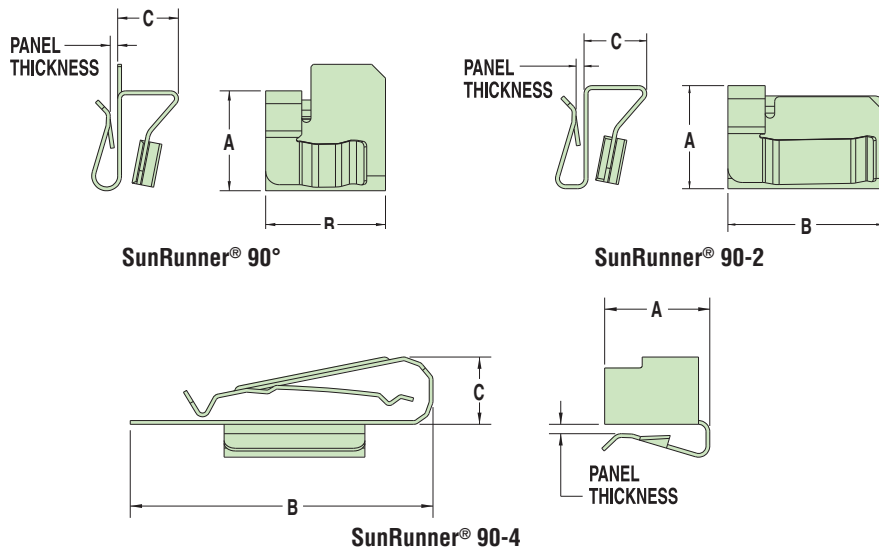
PANEL THICKNESS CLAMPING RANGE				WIRE DIAMETER RANGE Maximum	PART NO.	DESCRIPTION	FOOTPRINT		OVERALL HEIGHT	
Minimum		Maximum					A x B		C	
in.	mm.	in.	mm.				in.	mm.	in.	mm.
Single Wire Clip - for panels up to .125" (3,2 mm) thick										
.06	1,4	.13	3,2	.20" (5,1 mm)- .33" (8,3 mm) each cable	S6406	SunRunner® 90° Clip 100 Pack	.82 x .78	20,8 x 19,8	.39	9,9
					S6446	SunRunner 90° Clip Bulk				
Double Wire Clip - for panels up to .125" (3,2 mm) thick										
.06	1,4	.13	3,2	.20" (5,1 mm)- .33" (8,3 mm) each cable	S6436	SunRunner® 90°-2 Clip 100 Pack	.65 x .98	16,5 x 24,9	.39	9,9
					S6476	SunRunner® 90°-2 Clip Bulk				
Double Wire SunRunner Vidrio™ 90-2 Clip - for GLASS panels up to .090" (2,3 mm) thick										
.13	3,2	.25	6,4	.20" (5,1 mm)- .33" (8,3 mm) each cable	S6430	SunRunner® Vidrio 90° Clip 100 Pack	.99 x .52	25,1 x 13,2	.45	11,4
					S6470	SunRunner® Vidrio 90° Clip Bulk				
Four Wire Clip - for panels up to .125" (3,2 mm) thick										
.06	1,4	.13	3,2	.20" (5,1 mm)- .30" (7,6 mm) each cable*	S6439**	SunRunner® 90°-4 Clip 100 Pack	.56 x 1.63	14,2 x 41,4	.36	9,1
					S6479**	SunRunner® 90°-4 Clip Bulk				

*Can accommodate up to three .33" (8,3 mm) diameter cables.

**SunRunner 90-4 parts are not cULus



- SunRunner 90° Cable Clips are designed to mount at a 90° angle to the original SunRunner®.
- The SunRunner 90° will accommodate a single cable from .20" (5,1 mm) to .30" (7,6 mm); SunRunner 90°-2 will accommodate (2) of these cables; SunRunner 90°-4 will accommodate (4) of these cables.
- SunRunner 90° Series is designed for use with PV modules mounted in the “landscape” mode. PV modules with shorter than normal junction box cables cannot be dressed out to the sides of the module. The SunRunner 90° Series will also allow the junction box cables to be run to the adjacent modules across the short side of the PV module frame.
- Not for use in a marine salt water environment. Contact Heyco for alternative materials.
- DFARS Compliant.



Material .025" thick 304 stainless steel (SunRunner 90° and SunRunner 90-2)
.020" thick heat treated 410 stainless steel (SunRunner 90-4)

Certifications Certified by UL for Compliance with both Canadian and US Requirements under File E54523