

“Stay Connected” with



Solar Power Components

a PennEngineering® Company

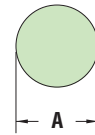
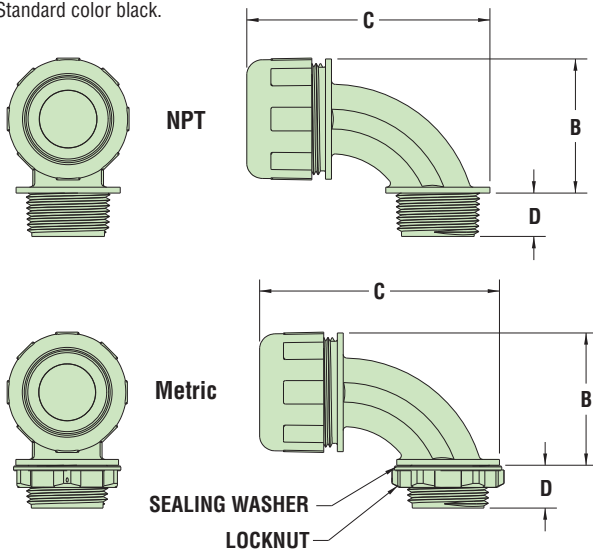


Heyco® Nylon Conduit Fittings - 90° Sweep Fittings

For Flexible, Corrugated Nylon Conduit/Tubing

FITS CONDUIT SIZE	PART NO.		DESCRIPTION	THREAD SIZE	PART DIMENSIONS - BODY AND SEALING NUT							
	Black	V-0 Black			A Clearance Hole in. mm.		B Max O.A. Height in. mm.		C Max O.A. Length in. mm.		D Thread Length in. mm.	
NPT Hubs												
10 mm	H8601	H8601F	HPASC 1/4 NPT-90-10mm	1/4 NPT	.540	13,7	1.22	31,0	2.17	55,0	.45	11,4
13 mm	H8603	H8603F	HPASC 3/8 NPT-90-13mm	3/8 NPT	.680	17,3	1.38	35,0	2.44	62,0	.49	12,5
16 mm	H8604	H8604F	HPASC 3/8 NPT-90-16mm	3/8 NPT	.680	17,3	1.66	42,2	2.56	65,0	.50	12,7
	H8606	H8606F	HPASC 1/2 NPT-90-16mm	1/2 NPT	.875	22,2	1.66	42,2	2.64	67,0	.62	15,8
21 mm	H8610	H8610F	HPASC 1/2 NPT-90-21mm	1/2 NPT	.875	22,2	1.75	44,5	2.64	67,0	.62	15,8
28 mm	H8616	H8616F	HPASC 3/4 NPT-90-28mm	3/4 NPT	1.109	28,1	2.05	52,0	2.99	76,0	.63	16,0
34 mm	H8620	H8620F	HPASC 1 NPT-90-34mm	1 NPT	1.375	34,9	2.30	58,5	3.58	91,0	.77	19,6
42 mm	H8622	H8622F	HPASC 1-1/4 NPT-90-42mm	1-1/4 NPT	1.734	44,0	3.21	81,5	4.53	115,0	.79	20,1
	H8624	H8624F	HPASC 1-1/2 NPT-90-42mm	1-1/2 NPT	1.984	50,4	3.21	81,5	4.72	120,0	.79	20,1
54 mm	H8628	H8628F	HPASC 2 NPT-90-54mm	2 NPT	2.469	62,7	3.43	87,1	4.92	125,0	.80	20,3
Metric Hubs												
10 mm	H8670	H8670F	HPASC M12-90-10mm	M12	.473	12,0	1.22	31,0	2.17	55,0	.45	11,4
13 mm	H8672	H8672F	HPASC M16-90-13mm	M16	.630	16,0	1.38	35,0	2.44	62,0	.49	12,5
16 mm	H8674	H8674F	HPASC M16-90-16mm	M16	.630	16,0	1.65	42,0	2.56	65,0	.50	12,5
	H8676	H8676F	HPASC M20-90-16mm	M20	.787	20,0	1.65	42,0	2.64	67,0	.61	15,5
21 mm	H8680	H8680F	HPASC M20-90-21mm	M20	.787	20,0	1.73	44,0	2.64	67,0	.61	15,5
28 mm	H8686	H8686F	HPASC M25-90-28mm	M25	.984	25,0	2.05	52,0	2.99	76,0	.63	16,0
34 mm	H8690	H8690F	HPASC M32-90-34mm	M32	1.260	32,0	2.31	58,7	3.58	91,0	.77	19,6
42 mm	H8692	H8692F	HPASC M40-90-42mm	M40	1.575	40,0	3.20	81,3	4.53	115,0	.76	19,3
	H8694	H8694F	HPASC M50-90-42mm	M50	1.969	50,0	3.20	81,3	4.72	120,0	.63	16,0
54 mm	H8698	H8698F	HPASC M63-90-54mm	M63	2.480	63,0	3.42	86,9	4.92	125,0	.63	16,0

Standard color black.



SUGGESTED CLEARANCE HOLE FOR NON-THREADED MOUNTING

- No disassembly required. Instead the installer simply pushes the conduit or tubing into the fitting, then tightens the domed sealing nut.
- Silicone sealing gland ensures liquid-tight seal.
- No threading of the conduit or tubing is required to install. This eliminates the possibility of cutting the conduit and creating leak paths.
- Multiple sizes available for use with Heyco-Flex Conduit and Tubing. See page 3-3.

Material	Nylon 6/6 with Silicone Rubber Glands
Certifications	Recognized under the Component Program of Underwriters' Laboratories File E121095 to both U.S. and Canadian requirements
Flammability Rating	94V-2, 94V-0
Temperature Range	-22°F (-30°C) to 221°F (105°C)
IP Rating	IP 66

Quick Specs