

“Stay Connected” with



Solar Power Components

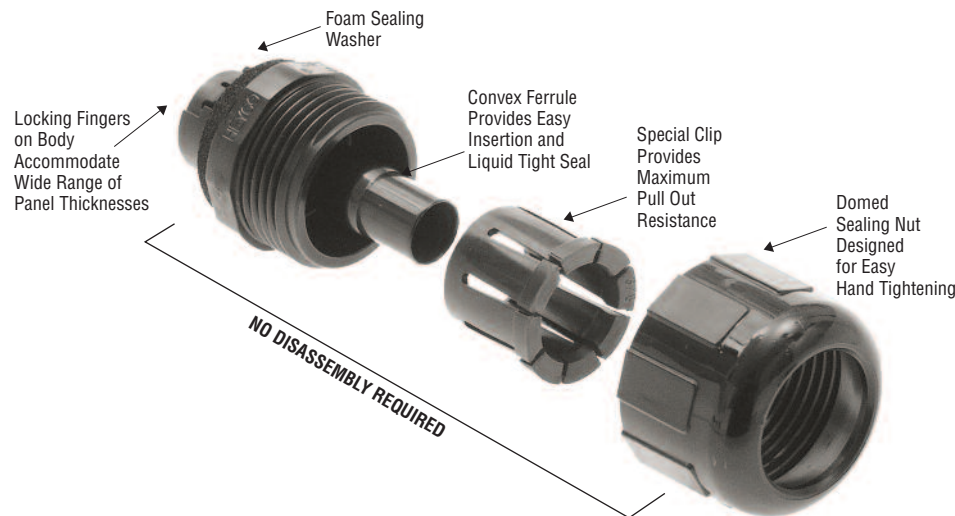
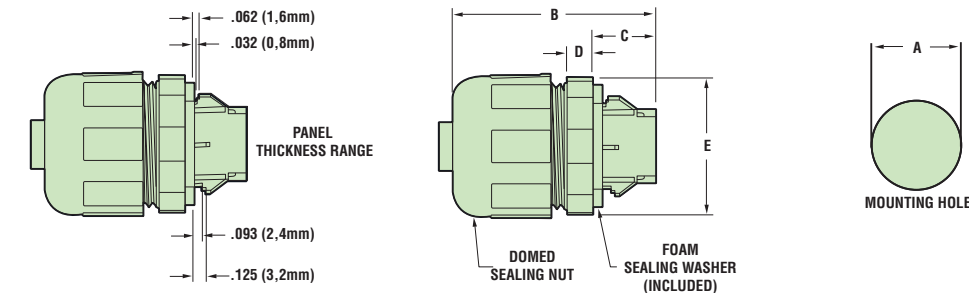
a PennEngineering® Company

Heyco-Flex™ Liquid Tight Conduit Fittings

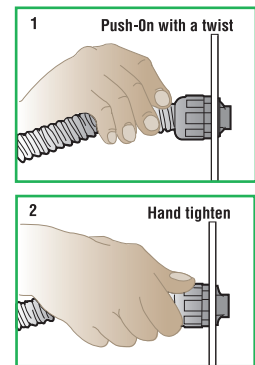
For Flexible, Nonmetallic Liquid Tight Heyco-Flex™ I Conduit and Heyco-Flex™ II Tubing
Straight-Thru, Snap-In Hubs

| FITS CONDUIT/ TUBING TRADE SIZE | PART NO. | DESCRIPTION | PART DIMENSIONS | | | | | | | | | |
|---|----------|-------------|-----------------------|------|--------------------|------|----------------|------|-----------------------|-----|-----------|------|
| | | | A | | B | | C | | D | | E | |
| | | | Mounting Hole Dia. | | Max O.A. Length | | Body Length | | Wrenching Nut Thk. | | Flat Size | |
| | | | in. | mm. | in. | mm. | in. | mm. | in. | mm. | in. | mm. |
| 1/4 | 8382 | HFC 1/4-S | .500 | 12,7 | 1.50 | 38,1 | .45 | 11,3 | .22 | 5,6 | .88 | 22,2 |
| 3/8 | 8384 | HFC 3/8-S | .875 | 22,2 | 2.00 | 50,8 | .63 | 15,9 | .25 | 6,3 | 1.33 | 33,7 |
| 1/2 | 8386 | HFC 1/2-S | | | | | | | | | | |
| 3/4 | 8388 | HFC 3/4-S | 1.090 | 27,7 | 2.03 | 51,6 | .63 | 15,9 | .25 | 6,3 | 1.56 | 39,7 |
| 1 | 8390 | HFC 1-S | 1.375 | 34,9 | 2.25 | 57,1 | .78 | 19,8 | .25 | 6,3 | 1.81 | 46,0 |

Standard color black.



- Assembly friendly! The installer simply pushes the conduit or tubing onto the ferrule, then tightens the domed sealing nut. This completed assembly can then be snapped into the panel with fingertip pressure.
- Convex ferrule ensures liquid tight seal.
- No threading of the conduit or tubing required to install. This eliminates the possibility of cutting the conduit and creating leak paths.
- Complete conduit/fitting system is reusable. Conduit will not wind tight onto the connector during assembly and can be easily removed by pulling while turning in a clockwise direction.
- Multiple sizes for use with Heyco-Flex Conduit and Tubing. See pages 3-7 and 3-8.
- Suitable for indoor/outdoor use; for original equipment manufacturers or field installers.
- Resist salt water, weak acids, gasoline, alcohol, oil, grease, and common solvents. (This feature is not assessed by UL certification or testing.)
- Foam sealing washer **included**.



Material
Certifications

Nylon 6/6

UL Listed under Underwriters' Laboratories File E28430

CS Certified by Canadian Standards Association File 84579 and 81067

Flammability Rating

94V-2

Temperature Range

-22°F (-30°C) to 221°F (105°C)

IP Rating

IP 68 up to 70 psi (5 bar) water pressure

Quick
Specs