



## Heyco-Flex™ Quick Twist Conduit Fittings

For use with Heyco-Flex™ II Tubing  
Straight-Thru, Snap-In and NPT Hubs

- One-piece solution with smooth internal surfaces provides for easier wire routing, protection, and installation.
- Easy, permanent assembly: the installer twists the tubing over the connector ferrule.
- Unique locking fingers accommodate various panel thicknesses.
- All nylon construction is resistant to salt water, weak acids, gasoline, alcohol, oil, grease, and common solvents. (This feature is not assessed by UL certification and testing.)
- Suitable for a wide array of electrical applications:
  - Commercial and Industrial HVAC Systems
  - Motorized Equipment
  - Enclosed Power Sources
  - Garage Door Openers
  - Major Appliances
- Finishing collars available to neaten rough cut tubing ends.
- Assembly Tool available for assembling Quick Twist Fittings into HF1 and HF2 Conduit and Tubing (see page 3-14)

### Snap-In Hubs

- Snap-in Fittings are UL recognized for use with Heyco-Flex II Tubing.
- Suitable for dry location only.

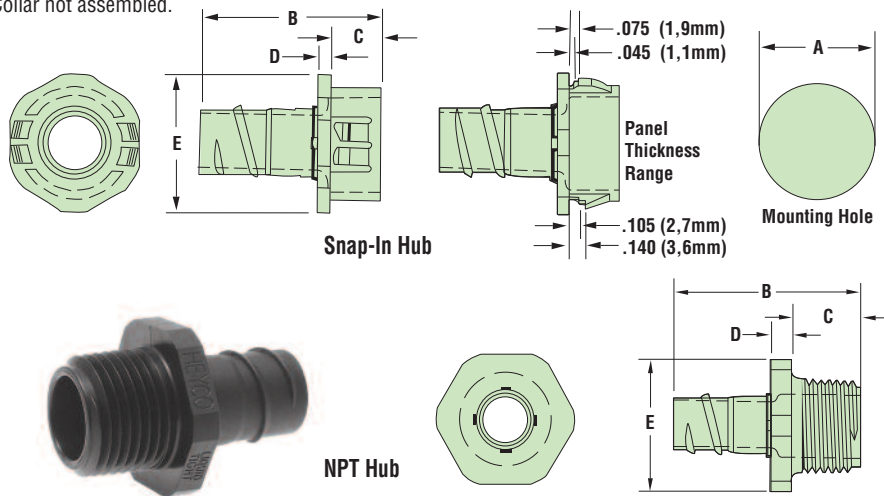
### NPT Hubs

- NPT threaded fittings are UL approved for use with Heyco-Flex I & II Conduit and Tubing.
- If using a tapped hole, Teflon® tape is needed on the threads of the connector, for all other applications an O-ring and Locknut are needed to attain liquid tight.
- **Locknuts not included.** To order nylon or metal locknuts separately, see pages 3-17 and 3-18.
- See page 3-20 for O-Rings.

| FITS TUBING TRADE SIZE                                          | PART NO. |                            |      | DESCRIPTION     | PART DIMENSIONS      |      |                  |      |               |      |                           |     |                           |      |
|-----------------------------------------------------------------|----------|----------------------------|------|-----------------|----------------------|------|------------------|------|---------------|------|---------------------------|-----|---------------------------|------|
|                                                                 | Black    | Black w/ Finishing Collar* | Gray |                 | A Mounting Hole Dia. |      | B Overall Length |      | C Body Length |      | D Wrenching Nut Thickness |     | E Wrenching Nut Flat Size |      |
|                                                                 |          |                            |      |                 | in.                  | mm.  | in.              | mm.  | in.           | mm.  | in.                       | mm. | in.                       | mm.  |
| Snap-In Hubs - For use with Heyco-Flex™ II Tubing               |          |                            |      |                 |                      |      |                  |      |               |      |                           |     |                           |      |
| 1/4                                                             | 8515     | –                          | 8516 | HFC 1/4-S-Twist | .540                 | 13,7 | 1.33             | 33,8 | .34           | 8,7  | .09                       | 2,3 | .75                       | 19,1 |
| 3/8                                                             | 8485     | 8485FC                     | 8486 | HFC 3/8-S-Twist | .875                 | 22,2 | 1.38             | 35,0 | .39           | 9,9  | .09                       | 2,3 | 1.00                      | 25,4 |
| 1/2                                                             | 8490     | 8490FC                     | 8491 | HFC 1/2-S-Twist |                      |      |                  |      |               |      |                           |     |                           |      |
| 3/4                                                             | 8495     | 8495FC                     | 8496 | HFC 3/4-S-Twist | 1.109                | 28,2 | 1.50             | 38,0 | .39           | 9,9  | .09                       | 2,3 | 1.25                      | 31,8 |
| NPT Hubs - For use with Heyco-Flex™ I and II Conduit and Tubing |          |                            |      |                 |                      |      |                  |      |               |      |                           |     |                           |      |
| 1/4                                                             | 8517     | –                          | 8518 | HFC 1/4-Twist   | .540                 | 13,7 | 1.56             | 39,6 | .47           | 11,8 | .20                       | 5,1 | .75                       | 19,1 |
| 3/8                                                             | 8487     | 8487FC                     | 8488 | HFC 3/8-Twist   | .875                 | 22,2 | 1.72             | 43,7 | .63           | 15,9 | .20                       | 5,1 | 1.18                      | 30,0 |
| 1/2                                                             | 8493     | 8493FC                     | 8494 | HFC 1/2-Twist   |                      |      |                  |      |               |      |                           |     |                           |      |
| 3/4                                                             | 8497     | 8497FC                     | 8498 | HFC 3/4-Twist   | 1.109                | 27,8 | 1.84             | 46,7 | .63           | 15,9 | .20                       | 5,1 | 1.37                      | 34,8 |

Standard colors black and gray.

\*Collar not assembled.



## Heyco-Flex™ Quick Twist Finishing Collars

For use with Heyco-Flex™ I and II Conduit



| FITS CONDUIT/ TRADE SIZE | PART NO. |      | DESCRIPTION          |
|--------------------------|----------|------|----------------------|
|                          | Black    | Gray |                      |
| 3/8                      | 8474     | 8482 | HFC TWIST 3/8 COLLAR |
| 1/2                      | 8475     | 8483 | HFC TWIST 1/2 COLLAR |
| 3/4                      | 8476     | 8484 | HFC TWIST 3/4 COLLAR |

Standard colors black and gray. Consult Heyco for other colors. (Not available in 1/4”).

|                     |                                                                                                  |
|---------------------|--------------------------------------------------------------------------------------------------|
| Material            | Nylon 6/6                                                                                        |
| Certifications      | Recognized under the Component Program of Underwriters' Laboratories File E121095 (Snap-in Hubs) |
|                     | UL Listed under Underwriters' Laboratories File E28430 (NPT Hubs)                                |
| Flammability Rating | 94V-2                                                                                            |
| Temperature Range   | -22°F (-30°C) to 221°F (105°C)                                                                   |