

Sealed Fittings

90° Elbows

Our 90° compression-type fittings incorporate fixed or swivel male threads to provide connection to knockouts and threaded entries.

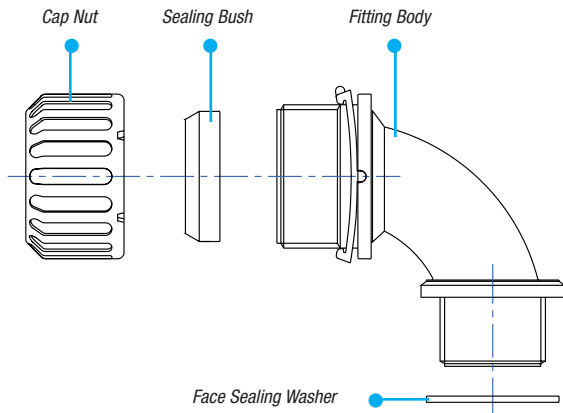
These fittings are designed for use with all types of slit and unslit conduit, thus maintaining maximum conduit bore.

See **page 42** for details on reducing options that enable each straight fitting to accommodate a variety of conduit sizes.

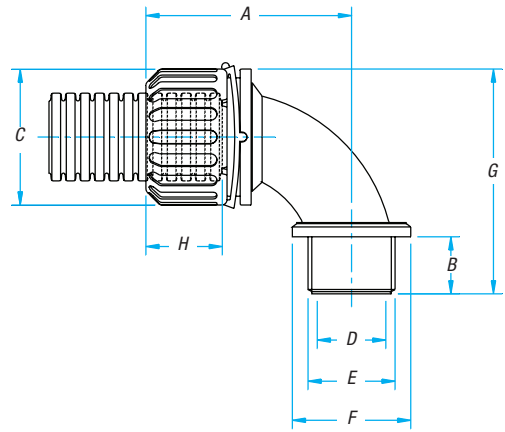
Order elbow bodies, cap nuts and sealing bushes separately.



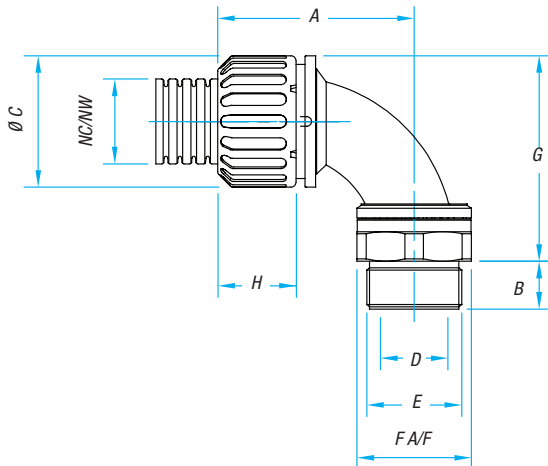
90° Elbow Configurations



90° Fitting Dimensions



90° Swivel Fitting Dimensions



Sealed Fittings

90° Elbows

CAT. NO. ELBOW BODY	CAP NUT	SEALING BUSHING	FACE SEALING WASHER	CONDUIT SIZES		THREAD SIZE	DIMENSIONS (MM)			MIN. BORE D	THREAD			
				(NW)	(NC)		A	B	C		E	F	G	H
Metric Versions														
AB12-M16-90	CN07	SRN07	SWM16	10	8.5	M16x1.5	46	12	23	11	M16x1.5	19	46	17
AB12-M16-90	CN09	SRN09	SWM16	12	10	M16x1.5	46	12	23	11	M16x1.5	19	46	17
AB12-M20-90	CN09	SRN09	SWM20	12	10	M20x1.5	46	12	23	11	M20x1.5	19	46	17
AB16-M16-90	CN11	SRN11	SWM16	16	13	M16x1.5	46	12	26	15	M16x1.5	22	48	17
AB16-M20-90	CN11	SRN11	SWM20	16	13	M20x1.5	46	13	26	15	M20x1.5	27	49	17
AB20-M20-90	CN16	SRN16	SWM20	20	17	M20x1.5	47	13	31	15	M20x1.5	27	51	20
AB25-M25-90	CN21	SRN21	SWM25	25	22	M25x1.5	56	15	39	20	M25x1.5	33	62	21
AB25-M25-90	CN28	SRN28	SWM25	25	23	M25x1.5	56	15	39	20	M25x1.5	33	62	21
AB32-M32-90	CN32	SRN29	SWM32	32	29	M32x1.5	66	16	46	26	M32x1.5	40	76	27
AB40-M40-90	CN36	SRN36	SWM40	40	37	M40x1.5	77	16	59	34	M40x1.5	48	93	35
AB50-M50-90	CN48	SRN48	SWM50	50	50	M50x1.5	94	16	72	40	M50x1.5	59	114	35

Note: Order fitting bodies, cap nuts and sealing bushings separately.

Note: Dimensions are in mm and refer to an overall assembly.

PG Versions

AB12-PG09-90	CN07	SRN07	SWPG09	10	8.5	PG09	46	10	23	11	PG09	22	44	17
AB12-PG09-90	CN09	SRN09	SWPG09	12	10	PG09	46	10	23	11	PG09	22	44	17
AB16-PG11-90	CN11	SRN11	SWPG11	16	13	PG11	46	10	26	14	PG11	25	46	17
AB16-PG13-90	CN11	SRN13	SWPG13	16	13	PG13.5	46	10	26	14	PG13.5	25	46	17
AB20-PG16-90	CN16	SRN16	SWPG16	20	17	PG16	46	12	31	15	PG16	28	50	20
AB25-PG21-90	CN21	SRN21	SWPG21	25	22	PG21	56	12	39	22	PG21	36	59	21
AB25-PG21-90	CN28	SRN21	SWPG21	28	23	PG21	56	12	39	22	PG21	36	59	21
AB32-PG29-90	CN32	SRN29	SWPG29	32	29	PG29	66	12	46	29	PG29	44	72	27
AB40-PG36-90	CN36	SRN36	SWPG36	40	37	PG36	79	12	58	39	PG36	54	89	35
AB50-PG48-90	CN48	SRN48	SWPG48	50	50	PG48	94	12	72	51	PG48	68	110	35

Note: Order fitting bodies, cap nuts and sealing bushings separately.

Note: Dimensions are in mm and refer to an overall assembly.

Swivel Metric Versions

ABS12-M16-90	CN07	SRN07	SWM16	10	8.5	M16x1.5	45	12	23	12	M16x1.5	24	45	17
ABS16-M16-90	CN11	SRN11	SWM16	16	13	M16x1.5	46	12	26	12	M16x1.5	24	46	17
ABS20-M20-90	CN16	SRN16	SWM20	20	17	M20x1.5	48	11	31	16	M20x1.5	27	48	20
ABS25-M25-90	CN21	SRN21	SWM25	25	22	M25x1.5	56	12	39	19	M25x1.5	34	59	21
ABS32-M32-90	CN32	SRN29	SWM32	32	29	M32x1.5	66	17	46	26	M32x1.5	42	71	27
ABS40-M40-90	CN36	SRN36	SWM40	40	37	M40x1.5	76	18	59	35	M40x1.5	54	90	35
ABS50-M50-90	CN48	SRN48	SWM50	50	50	M50x1.5	92	16	72	45	M50x1.5	70	112	35

Note: Order fitting bodies, cap nuts and sealing bushings separately.

Note: Dimensions are in mm and refer to an overall assembly.

Other thread options available, including PF, PG, NPT and UNEF — contact Thomas & Betts Technical Support for further information.