

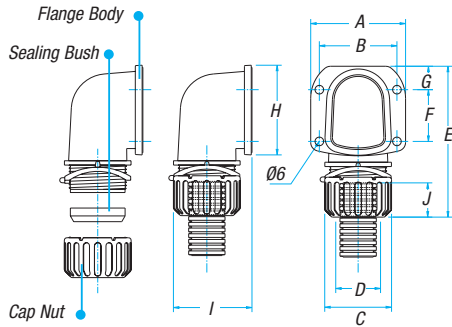
Sealed Fittings

90° Flanges

90° elbow compression type-fittings provide a four-hole panel mounting facility. These fittings are designed for use with all types of slit and unslit conduit, thus maintaining maximum conduit bore.

See **page 42** for details on reducing options that enable each straight fitting to accommodate a variety of conduit sizes.

Note: For extending the capability of sealed fittings, contact Technical Support regarding clamping rings, end sleeves/end caps, grommet seals, locknuts, face sealing washers and thread reducers/enlargers.



CAT. NO. FLANGE BODY	CAP NUT	SEAL BUSHING	CONDUIT SIZE	
			(NC)	(NW)
AB32-F90	CN32	SRN29	32	29
AB40-F90	CN36	SRN36	40	37
AB50-F90	CN48	SRN48	50	50

Nominal Dimensions (mm)

CAT. NO. FLANGE BODY	A	B	C	MIN. BORE D	E	F	G	H	I	J
AB40-F90	86	73	63	46	115	30	27	77	64	35
AB50-F90	86	73	73	59	125	30	30	86	77	35

Note: Dimensions refer to an overall assembly.

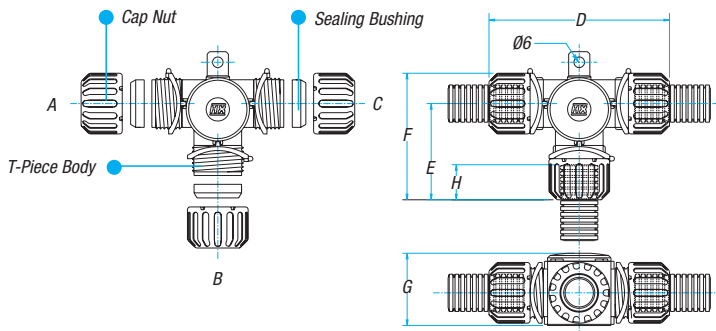
T-Pieces

Symmetrical, three-junction compression-type fittings provide a variety of conduit size configurations.

These fittings are designed for use with all types of slit and unslit conduit, thus maintaining maximum conduit bore. See **page 42** for details on reducing options that enable each straight fitting to accommodate a variety of conduit sizes.

Accessories

For extending the capability of sealed fittings, contact Technical Support regarding clamping rings, end sleeves/end caps, grommet seals, locknuts, face sealing washers and thread reducers/enlargers. Order T-piece bodies, cap nuts and sealing bushings separately.



CAT. NO. T-PIECE (WITH BRACKET)	CAT. NO. T-PIECE (NO BRACKET)	CAP NUT	SEAL BUSHING	CONDUIT SIZE					
				(NC)			(NW)		
				A	B	C	A	B	
—	TP12	CN07	SRN07	10	10	10	8.5	8.5	
—	TP12	CN09	SRN09	12	12	12	10	10	
—	TP16	CN11	SRN11	16	16	16	13	13	
TPB20	TP20	CN16	SRN16	20	20	20	17	17	
TPB28	TP28	CN21	SRN21	25	25	25	22	22	
TPB28	TP28	CN28	SRN28	228	28	28	23	23	
TPB32	TP32	CN32	SRN29	32	32	32	29	29	

Note: Order T-piece bodies, cap nuts and sealing bushings separately.

Nominal Dimensions (mm)

CAT. NO. T-PIECE (WITH BRACKET)	CAT. NO. T-PIECE (NO BRACKET)	MIN. BORE D	E	F	G
—	TP12	68	50	39	27
—	TP16	69	51	38	31
TPB20	TP20	80	58	43	35
TPB28	TP28	95	71	52	43
TPB32	TP32	109	84	61	51

Note: Dimensions refer to an overall assembly.