

Sealed Fittings

Straight Fittings

Our straight compression-type fittings incorporate fixed or swivel male threads to provide connection to knockouts and threaded entries.

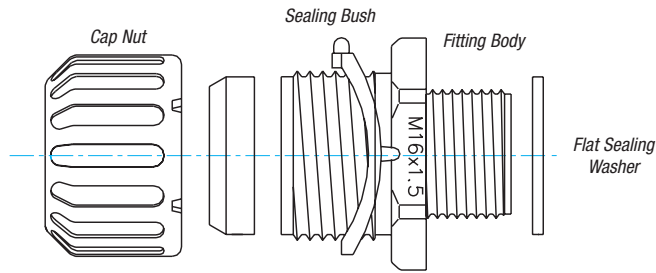
These fittings are designed for use with all types of slit and unslit conduit, thus maintaining maximum conduit bore.

See **page 42** for details on reducing options that enable each straight fitting to accommodate a variety of conduit sizes.

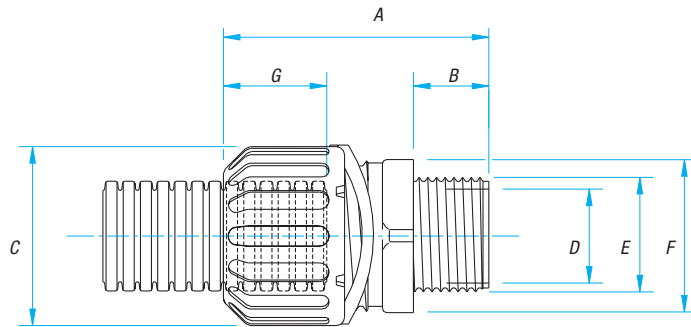
Order fitting bodies, cap nuts and sealing bushing separately.



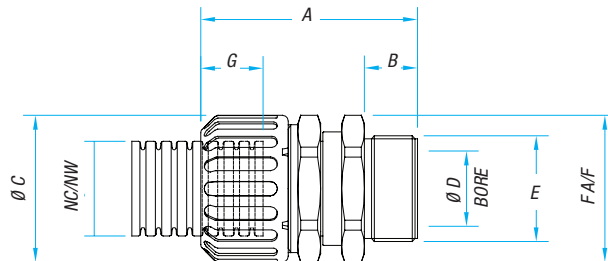
Straight Fitting Configurations



Straight Fitting



Straight Swivel Fitting



Sealed Fittings

Straight Fittings

| CAT. NO. FITTING BODY | CAP NUT | SEALING BUSHING | CONDUIT SIZES | | | DIMENSIONS (MM) | | | MIN. BORE | THREAD | A/F SIZE | |
|-----------------------------|---------|--------------------|---------------|------|-------------|-----------------|----|----|-----------|---------|----------|----|
| | | | (NW) | (NC) | THREAD SIZE | A | B | C | | | D | E |
| Metric Versions | | | | | | | | | | | | |
| AB12-M16 | CN07 | SRN07 | 10 | 8.5 | M16x1.5 | 34 | 12 | 23 | 11 | M16x1.5 | 22 | 17 |
| AB12-M20 | CN07 | SRN07 | 10 | 8.5 | M20x1.5 | 37 | 14 | 23 | 15 | M20x1.5 | 27 | 17 |
| AB12-M16 | CN09 | SRN09 | 12 | 10 | M16x1.5 | 34 | 12 | 26 | 11 | M16x1.5 | 22 | 17 |
| AB12-M20 | CN09 | SRN09 | 12 | 10 | M20x1.5 | 37 | 14 | 26 | 15 | M20x1.5 | 27 | 17 |
| AB16-M16 | CN11 | SRN11 | 16 | 13 | M16x1.5 | 35 | 12 | 26 | 11 | M16x1.5 | 27 | 17 |
| AB16-M20 | CN11 | SRN11 | 16 | 13 | M20x1.5 | 37 | 14 | 26 | 15 | M20x1.5 | 27 | 11 |
| AB20-M20 | CN16 | SRN16 | 20 | 17 | M20x1.5 | 39 | 14 | 31 | 15 | M20x1.5 | 30 | 20 |
| AB25-M25 | CN21 | SRN21 | 25 | 22 | M25x1.5 | 43 | 15 | 39 | 19 | M25x1.5 | 38 | 21 |
| AB25-M25 | CN28 | SRN28 | 28 | 23 | M25x1.5 | 43 | 15 | 39 | 19 | M25x1.5 | 38 | 21 |
| AB32-M32 | CN32 | SRN29 | 32 | 29 | M32x1.5 | 49 | 16 | 46 | 26 | M32x1.5 | 46 | 27 |
| AB40-M40 | CN36 | SRN36 | 40 | 36 | M40x1.5 | 59 | 16 | 58 | 31 | M40x1.5 | 59 | 35 |
| AB50-M50 | CN48 | SRN48 | 50 | 48 | M50x1.5 | 59 | 16 | 72 | 41 | M50x1.5 | 73 | 35 |

Note: Order fitting bodies, cap nuts and sealing bushings separately.

Note: Dimensions are in mm and refer to an overall assembly.

PG Versions

| | | | | | | | | | | | | |
|-----------|------|-------|----|-----|--------|----|----|----|----|--------|----|----|
| AB12-PG09 | CN07 | SRN07 | 10 | 8.5 | PG09 | 32 | 10 | 23 | 10 | PG09 | 22 | 17 |
| AB12-PG11 | CN07 | SRN07 | 10 | 8.5 | PG11 | 32 | 10 | 23 | 14 | PG11 | 22 | 17 |
| AB12-PG13 | CN07 | SRN07 | 10 | 8.5 | PG13.5 | 32 | 10 | 23 | 16 | PG13.5 | 22 | 17 |
| AB12-PG09 | CN09 | SRN09 | 12 | 10 | PG09 | 32 | 10 | 23 | 10 | PG09 | 22 | 17 |
| AB12-PG11 | CN09 | SRN09 | 12 | 10 | PG11 | 32 | 10 | 23 | 14 | PG11 | 22 | 17 |
| AB12-PG13 | CN09 | SRN09 | 12 | 10 | PG13.5 | 32 | 10 | 26 | 16 | PG13.5 | 27 | 17 |
| AB16-PG09 | CN11 | SRN11 | 16 | 13 | PG09 | 32 | 10 | 26 | 10 | PG09 | 27 | 17 |
| AB16-PG11 | CN11 | SRN11 | 16 | 13 | PG11 | 32 | 10 | 26 | 14 | PG11 | 27 | 17 |
| AB16-PG13 | CN11 | SRN11 | 16 | 13 | PG13.5 | 32 | 10 | 26 | 16 | PG13.5 | 27 | 17 |
| AB20-PG16 | CN16 | SRN16 | 20 | 17 | PG16 | 35 | 11 | 31 | 18 | PG16 | 30 | 20 |
| AB25-PG21 | CN21 | SRN21 | 25 | 22 | PG21 | 40 | 12 | 39 | 23 | PG21 | 38 | 21 |
| AB25-PG21 | CN28 | SRN28 | 28 | 23 | PG21 | 40 | 12 | 39 | 23 | PG21 | 38 | 21 |
| AB32-PG29 | CN32 | SRN32 | 32 | 29 | PG29 | 45 | 12 | 46 | 31 | PG29 | 46 | 27 |
| AB40-PG36 | CN36 | SRN36 | 40 | 36 | PG36 | 55 | 12 | 58 | 38 | PG36 | 59 | 35 |
| AB50-PG48 | CN48 | SRN48 | 50 | 48 | PG48 | 55 | 12 | 72 | 50 | PG48 | 73 | 35 |

Note: Order fitting bodies, cap nuts and sealing bushings separately.

Note: Dimensions are in mm and refer to an overall assembly.

Part numbers for NPT and PF threads available on request.

Swivel Metric Versions

| | | | | | | | | | | | | |
|-----------|------|-------|----|-----|---------|------|----|------|------|---------|------|------|
| ABS12-M16 | CN07 | SRN07 | 10 | 8.5 | M16x1.5 | 44.5 | 11 | 23 | 12 | M16x1.5 | 24 | 17 |
| ABS12-M20 | CN07 | SRN07 | 10 | 8.5 | M20x1.5 | 44.5 | 11 | 23 | 12 | M20x1.5 | 24 | 17 |
| ABS12-M16 | CN09 | SRN09 | 12 | 10 | M16x1.5 | 44.5 | 11 | 23 | 12 | M16x1.5 | 24 | 17 |
| ABS12-M20 | CN09 | SRN09 | 12 | 10 | M20x1.5 | 44.5 | 11 | 23 | 12 | M20x1.5 | 24 | 17 |
| ABS16-M16 | CN11 | SRN11 | 16 | 13 | M16x1.5 | 46.5 | 12 | 26 | 12 | M16x1.5 | 30 | 20 |
| ABS16-M20 | CN11 | SRN11 | 16 | 13 | M20x1.5 | 44.5 | 11 | 26 | 12 | M20x1.5 | 30 | 20 |
| ABS20-M20 | CN16 | SRN16 | 20 | 17 | M20x1.5 | 47 | 11 | 31 | 16 | M20x1.5 | 33 | 22.5 |
| ABS25-M25 | CN21 | SRN21 | 25 | 22 | M25x1.5 | 52 | 12 | 39 | 19 | M25x1.5 | 42.5 | 22.5 |
| ABS25-M25 | CN28 | SRN28 | 28 | 23 | M25x1.5 | 52 | 12 | 39 | 19 | M25x1.5 | 42.5 | 22.5 |
| ABS32-M32 | CN32 | SRN29 | 32 | 29 | M32x1.5 | 58.5 | 17 | 46.5 | 26.5 | M32x1.5 | 51 | 26 |

Note: Order fitting bodies, cap nuts and sealing bushings separately.

Note: Dimensions are in mm and refer to an overall assembly.

Other thread options available, including PF, PG, NPT and UNEF — contact Thomas & Betts Technical Support for further information.