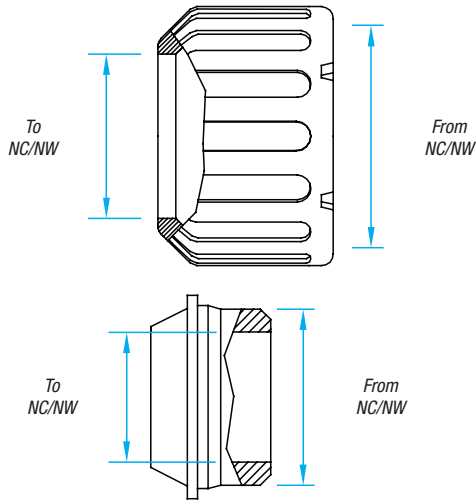


Sealed Fittings

Cap Nuts and Reducing Bushings



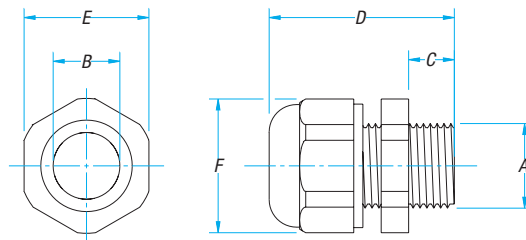
CAT. NO. CAP NUT	CAT. NO. REDUCING SEALING BUSHING	FROM CONDUIT SIZE		TO CONDUIT SIZE	
		(NC)	(NW)	(NC)	(NW)
CN09-08	RSB12-08	12	10	08	7.5
CN11-08	RSB16-08	16	13	08	7.5
CN11-12	RSB16-12	16	13	12	10
CN16-08	RSB20-08	20	17	08	7.5
CN16-12	RSB20-12	20	17	12	10
CN16-16	RSB20-16	20	17	16	13
CN21-12	RSB25-12	25	22	12	10
CN21-16	RSB25-16	25	22	16	13
CN21-20	RSB25-20	25	22	20	17
CN21-12	RSB28-12	28	23	12	10
CN21-16	RSB28-16	28	23	16	13
CN21-20	RSB28-20	28	23	20	17
CN32-20	RSB32-20	32	29	20	17
CN32-25	RSB32-25	32	29	25	22
CN32-28	RSB32-28	32	29	28	23

Cable Glands

Straight compression-type IP68 5bar cable glands incorporate fixed male threads to provide secure cable connections through knockouts and threaded entries.

Accessories

For extending the capability of Harnessflex® cable glands, see **page 43** for locknuts, face sealing washers and blanking plugs for unused entries.



Metric Versions

CAT. NO.	THREAD	CABLE OD RANGE	A/F SIZE			
			C	D	E	F
CGS-M16	M16x1.5	4.0–10.0	9	34.5	21	23.5
CGS-M20	M20x1.5	6.0–12.0	10	37	24	27
CGS-M25	M25x1.5	13.0–18.0	11	40	30	33
CGS-M32	M32x1.5	17.0–25.0	12	49	41	45.5
CGS-M40	M40x1.5	24.0–32.0	13	55	50	55.5
CGS-M50	M50x1.5	24.0–38.5	12	65	60	68
CGS-M63	M63x1.5	35.0–44.0	12	67	70	79

PG Versions

CAT. NO.	THREAD	CABLE OD RANGE	A/F SIZE			
			C	D	E	F
CGS-PG07	PG7	2.0–6.5	8	31	17	19
CGS-PG09	PG9	4.0–10.0	8	33.5	21	23.5
CGS-PG11	PG11	6.0–12.0	8	35	24	27
CGS-PG13	PG13.5	6.0–12.0	9	36	24	27
CGS-PG16	PG16	10.0–14.0	10	38.5	27	30
CGS-PG21	PG21	13.0–18.0	11	40	30	33
CGS-PG29	PG29	17.0–25.0	11	48	41	45.5
CGS-PG36	PG36	24.0–32.0	13	55	50	55.5

Notes: Dimensions are in mm. OD = outside diameter.