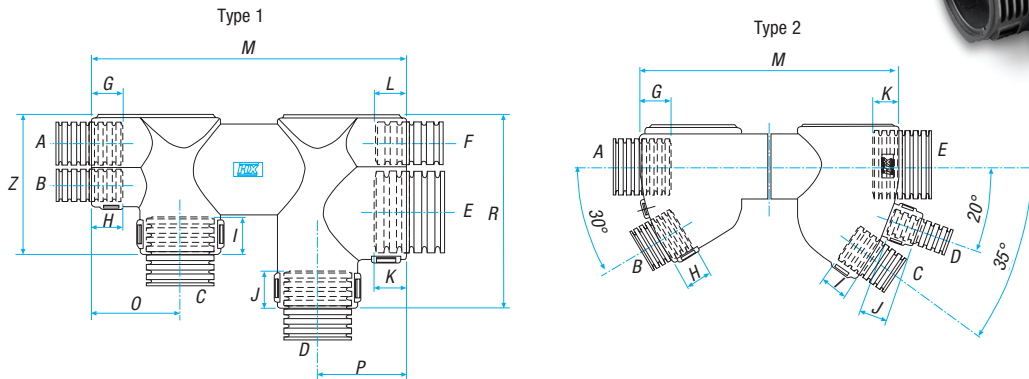


Hinged Connectors

Custom Hinged Manifolds

One-piece hinged fittings designed to suit specific project or application requirements.

For Blanking Caps, see **page 31**.



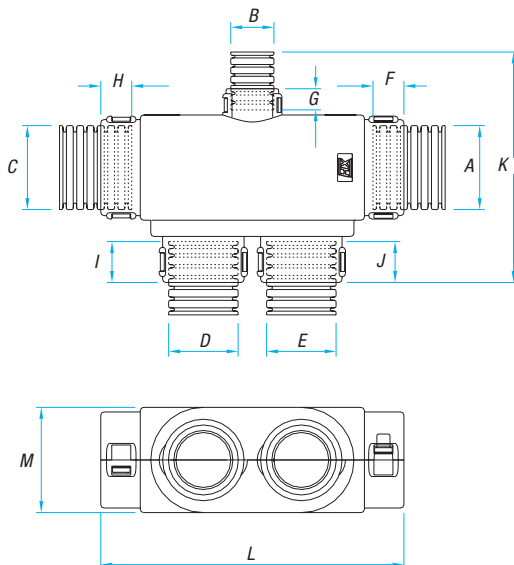
CAT. NO.	TYPE	CONDUIT SIZE (NC)						CONDUIT ENGAGEMENT (MM)						OVERALL DIMENSIONS (MM)						WEIGHT (G)
		A	B	C	D	E	F	G	H	I	J	K	L	M	N	O	P	R		
MPS100	1	12	08	20	20	25	12	10	10	12	12	13	12	98	43	28	28	59	22	
MPS101	2	20	16	16	08	25	—	12	10	10	10	13	—	97	—	—	—	—	23	
MPS102	2	16	08	16	08	25	—	10	10	10	10	13	—	97	—	—	—	—	23	
MPS103	2	16	16	16	08	25	—	10	10	10	10	13	—	97	—	—	—	—	23	

Split Manifolds

Two identical half shells snap together to create a five-way conduit manifold.

This fitting works with different types of slit and unslit conduit, including NC, CPTA, modified PP and deep section PP.

Additional configurations are possible (dependent on volume). Contact Thomas & Betts Technical Support for details.



CAT. NO.	CONDUIT SIZE (NC)						OVERALL DIMENSIONS (MM)						
	A	B	C	D	E	F	G	H	I	J	K	L	M
MPS121212-2020	12	12	12	20	20	10	7	10	10	10	59	92	32
MPS122812-2020	12	28	12	20	20	10	12	10	10	10	67	92	32
MPS201220-2020	20	12	20	20	20	12	7	12	10	10	59	92	32
MPS202820-2020	20	28	20	20	20	12	12	12	10	10	67	92	32
MPS251225-2020	25	12	25	20	20	11	7	11	10	10	59	92	32
MPS252825-2020	25	28	25	20	20	11	12	11	10	10	67	92	32