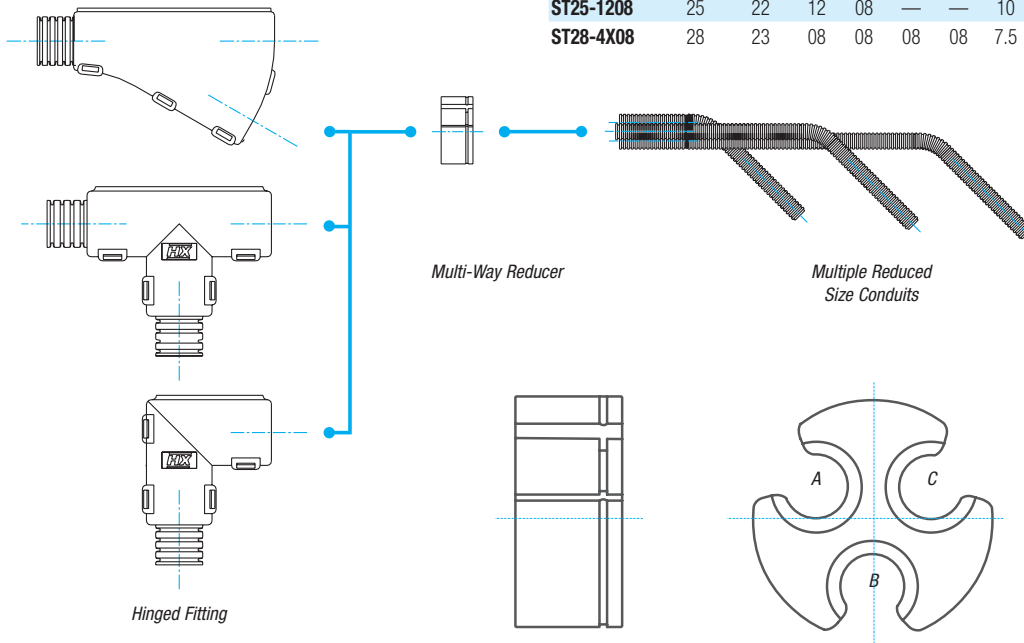


Interfaces

Multi-Way Reducers

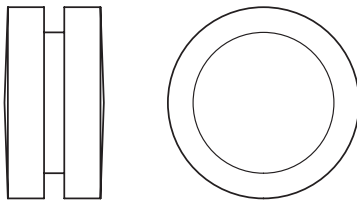
One-piece, multi-way breakout inserts provide reducing options to a variety of conduit sizes from a single hinged fitting junction.

These reducers can accommodate all types of slit and unslit conduit and may be used with all Harnessflex® hinged fittings.



CAT. NO.	FROM CONDUIT SIZE		TO CONDUIT SIZES (NC)				TO CONDUIT SIZES (NW)			
	(NC)	(NW)	A	B	C	D	A	B	C	D
ST20-2X08	20	17	08	08	—	—	7.5	7.5	—	—
ST20-12	20	17	12	—	—	—	10	—	—	—
STN25-3X08	25	22	08	08	08	—	7.5	7.5	7.5	—
ST25-12	25	22	12	08	—	—	10	—	—	—
ST25-1208	25	22	12	08	—	—	10	7.5	—	—
ST28-4X08	28	23	08	08	08	08	7.5	7.5	7.5	7.5

Blanking Caps



CAT. NO.	CONDUIT SIZE	
	(NC)	(NW)
BPST08	08	7.5