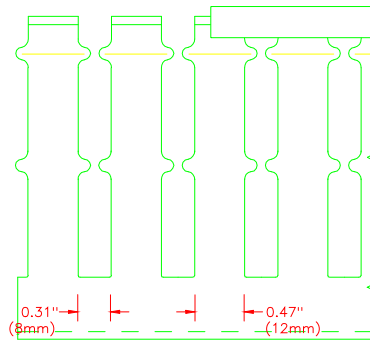
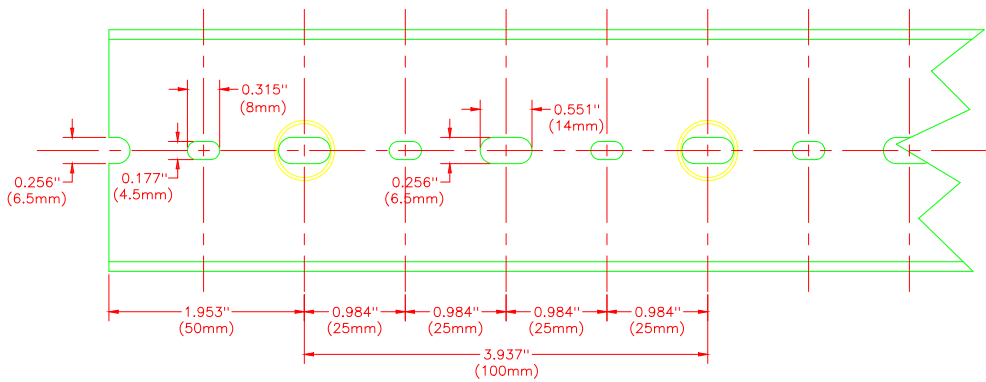


FRONT SECTION



SIDE VIEW



BASE PERFORATION