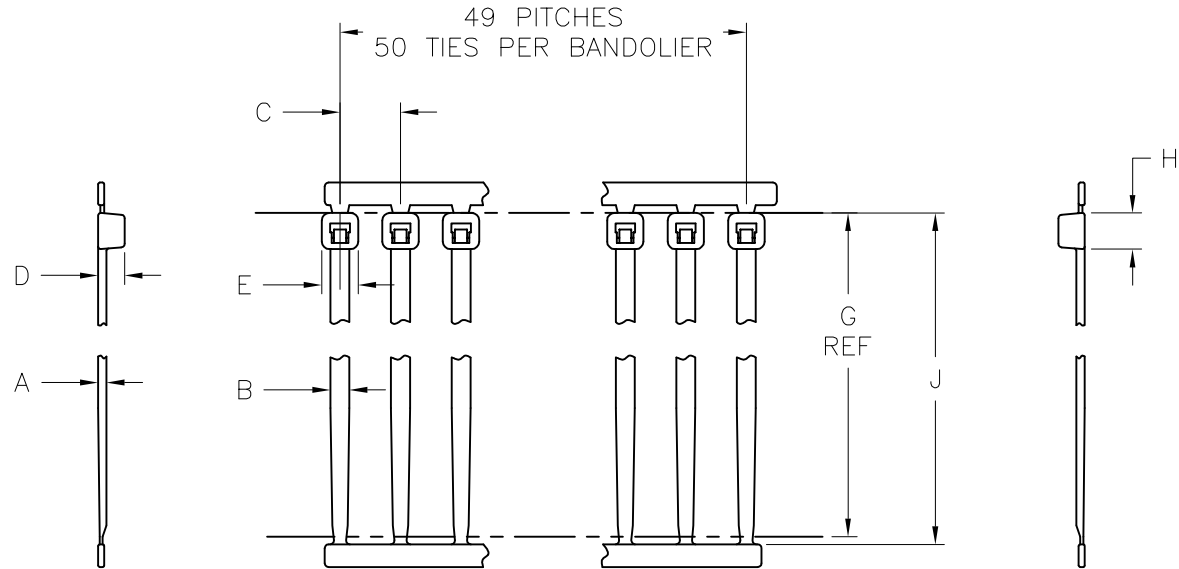


Revision level		Revision Record	Changed	Date	Approved	Date
part	drawing					
-	04	See ECN 011298	K.A.C.	04/23/09	K.A.C.	04/23/09



Type	Cable Range (mm)	Material	No of Ties Per Bandolier	A	B	C	D	E	G (REF)	H	J	Min Loop Tensile Strength (newtons)
T18RA50	0.7 to 20	PA66 (NAT)	50	1.1±0.1	2.5±0.1	8.0 ±0.2	3.5 ±0.2	4.8 ±0.2	100.0	4.8 ±0.5	102.0 ±1.0	80
		PA66VO (NAT)	50									
		PA66HSW (BLK)	50									
		PA66UV (BLK)	50									
		PA46 (NAT & BLK)	50									

SEE BOM

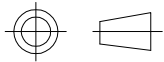
Material

Dimension tolerances unless otherwise specified  
 .XXXX = ± .0130  
 .XXX = ± .130  
 .XX = ± .30  
 .X = ± .8  
 ∠ = ± 0.5 °

Dimension Units mm

PERFORMANCE SPECIFICATION

ACAD MECH  
2008



ALL PROPRIETARY RIGHTS IN THE SUBJECT MATTER SHOWN ON THIS DRAWING ARE EXCLUSIVE PROPERTY OF HELLERMANNNTYTON

Drawn

A.A.C

05/09/03

Approved

K.A.C

02/29/08

**HellermannTyton**

7930 N. Faulkner Rd.  
 Milwaukee, WI 53224  
 Ph: (414) 355-1130  
 Fx: (414) 362-8338

Scale

2:1

Computer File Number  
CT\CST\2093002\_04

Title

**T18RA50  
 BANDOLIER TIES  
 FOR AT2000 AUTO TOOL**

Drawing-No

**CT2093002CST**

Format

AH

Sheet 1 of 1