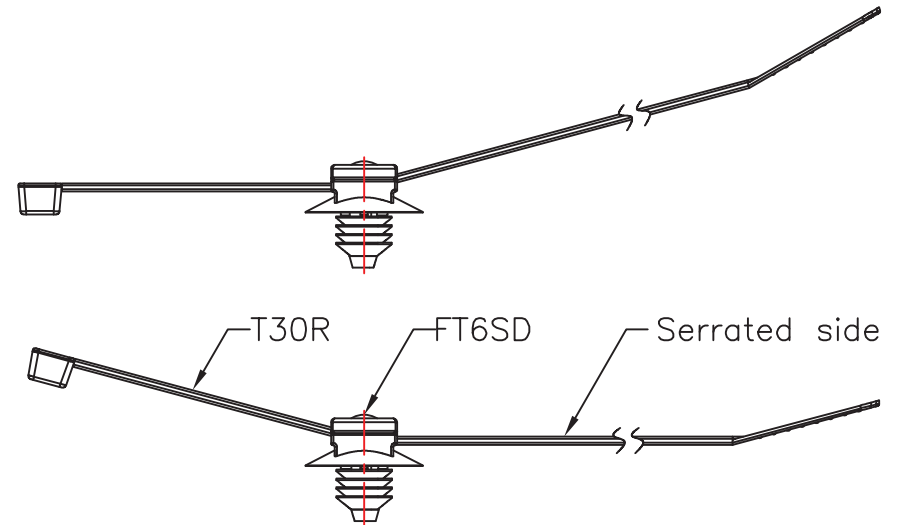
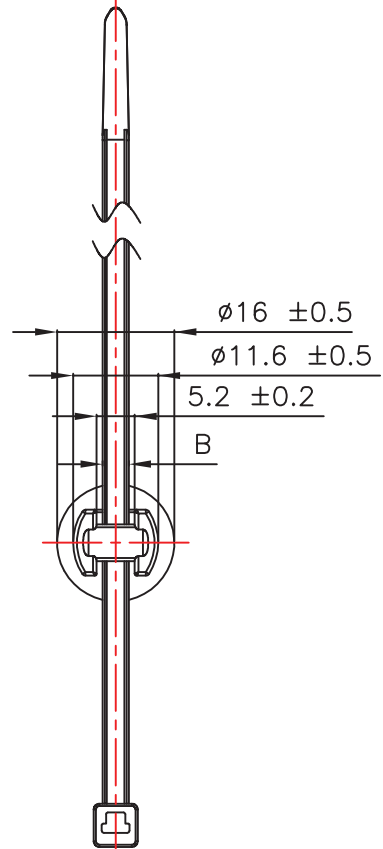
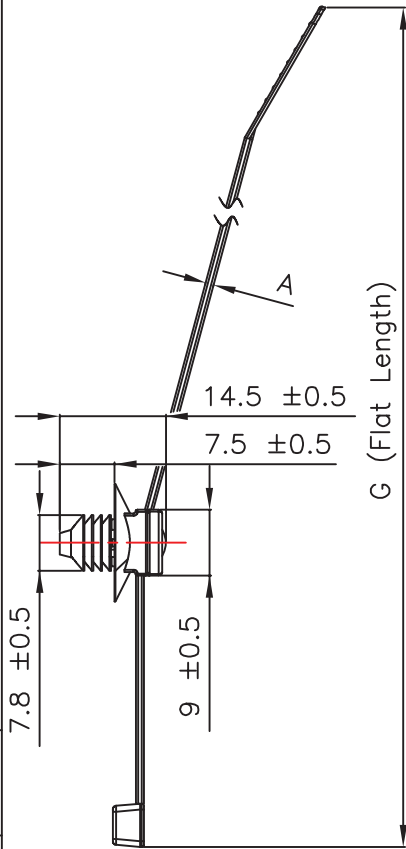


Revision Level		Revision Record	Changed	Date	Approval	Date
Part	Drawing					
	①	Remove bundle diameter.	MANDY ONG	28-Jan-09	Edward Tan	28-Jan-09
	②	Added HT Global project Number.	SIMON NG	11-May-18	Edward Tan	11-May-18
	③	Added cable tie dimension.	SIMON NG	11-May-18	Edward Tan	11-May-18
	④	Updated pictogram.	SIMON NG	11-May-18	Edward Tan	11-May-18
	⑤	Added Fir tree diameter dimension and tolerance.	SIMON NG	11-May-18	Edward Tan	11-May-18



Delivery Conditions

A	B	G
1.1 ± 0.2	3.5 ± 0.2	150.0 ± 5.0

<p>△</p> <p>Hole Size :  <math>\phi 6.4 \sim 7.1\text{mm}</math></p>
<p>Panel Thickness :  <math>0.75 \sim 3.0\text{mm}</math></p>
<p>Material  P.A. 66</p>
<p>Tolerances  PERFORMANCE SPECIFICATION</p>

<p>ACAD</p>	<p>Drawn WENDY TAN 14 May 2008</p> <p>Approved. EDWARD TAN 14 May 2008</p>	<p>Scale: 1 : 1</p> <p>Reference: 14.1426</p>
<p>The copyright of this drawing is reserved by HELLERMANN TYTON. It is issued on condition that it is not reproduced, copied or disclosed to a third party, either wholly or in part, without the consent of HELLERMANN TYTON.</p>	<p><b>HellermannTyton</b></p> <p>545, Yishun Industrial Park A  Yishun Avenue 7  Singapore 768741  Tel: (+65) 6852 8585  Fax: (+65) 6756 6798</p>	<p>Title T30RFT6SD</p> <p>Drawing-No [SG08015-02]</p> <p>98-0526-001-CSH △</p>
		<p>Format A4</p> <p>Sheet 1 of 1</p>

Uncontrolled Document