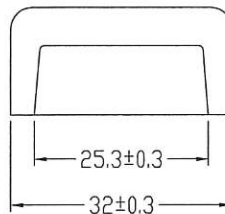
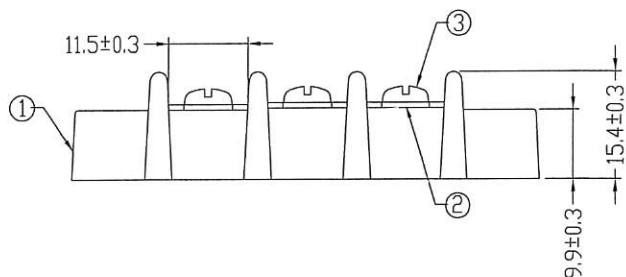
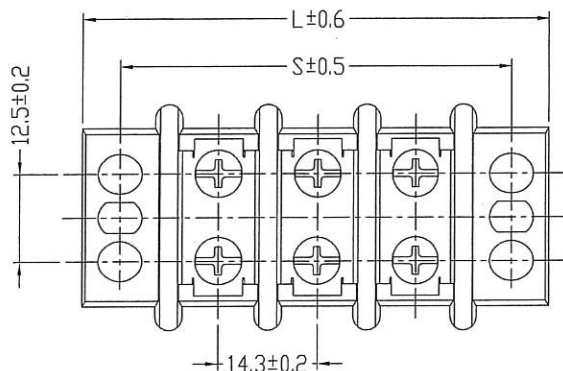


T68-T□□

□□ : Poles
 T : Screw without washer
 T68 : Type



All materials are lead free according to EU.

PITCH: 14.3 mm (0.563 inch)					
Poles	L(mm)	S(mm)	Poles	L(mm)	S(mm)
2	54.1	43.0	17	268.6	257.5
3	68.4	57.3	18	282.9	271.8
4	82.7	71.6	19		
5	97.0	85.9	20		
6	111.3	100.2	21		
7	125.6	114.5	22		
8	139.9	128.8	23		
9	154.2	143.1	24		
10	168.5	157.4	25		
11	182.8	171.7	26		
12	197.1	186.0	27		
13	211.4	200.3	28		
14	255.7	214.6			
15	240.0	228.9			
16	254.3	243.2			

文件管制
 95. 3. 15
 文管中心

Current rating : 30Amp AC300V
 Insulation withstands volt : AC2000V min
 Insulation resistance : >2000MΩ DC500V
 Operation temperature : -40°C to +120°C
 Wire range : 10~22 AWG
 Screw torque : 14 lb-inch

CONFIRMED & ACCEPTED BY

	Material	Plating/Finish	Remark
1	Insulating body PBT(UL94V-0)		Black
2	Terminal Brass	Tin plated	
3	Screw Steel #8-32UNC	Zinc+Cr ⁺³	

DECA
 SwitchLab

Switchlab INC.

PART NO.	T68-T□□	VERSION	D	CONFIRMED BY	Wisdom
SHEET OF	2/2	METRIC	MM	DRAWN BY	Smy
		DATE	2006/03/15	GENERAL MANAGER	Jill