
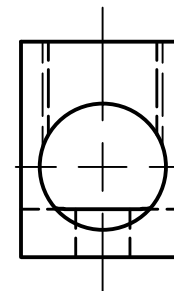
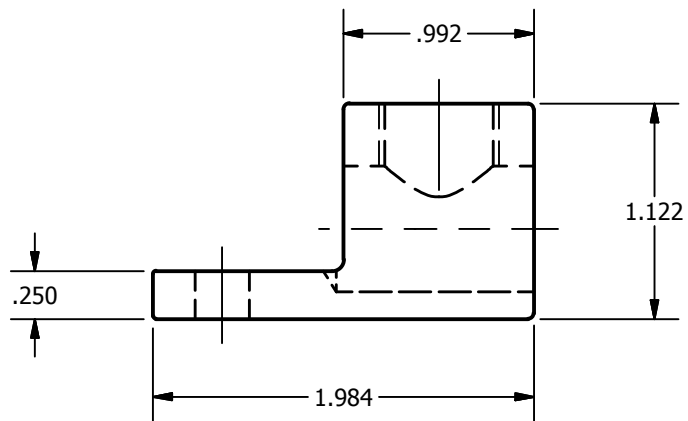
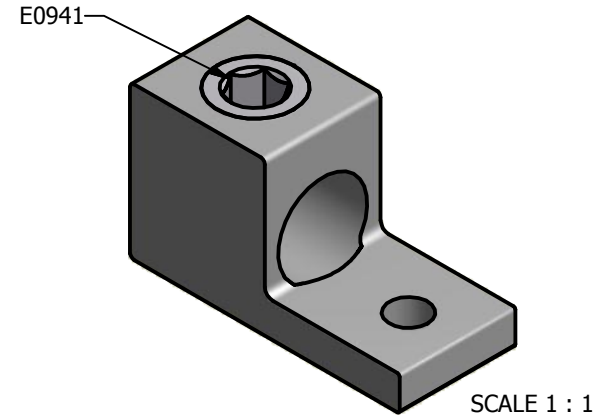
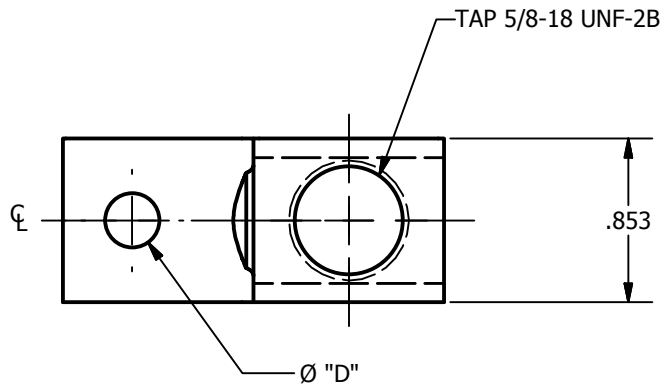




SCREW: E0941	MATERIAL: ALUMINUM	REV: E		
CAT. NO.: TA-300	PLATING: EL-TIN	DRAWN BY: NN	SCALE: 1:1	800-776-9775 www.ilsco.com
INFORMATION SHEET: FORM 1	MARKING: SEE CHART	DATE: 12/10/2007	SIZE: A	DWG. NO. <b>D1321</b>
				SHEET: 1 OF 1



MOUNTING HOLE "D"	MARKING
.328	BKB, ADR30, 300-6, AL9CU 
.281	ILSCO, D1321, 300kcmil-6, AL9CU 
.343	ILSCO, D1321, 300kcmil-6, AL9CU 