


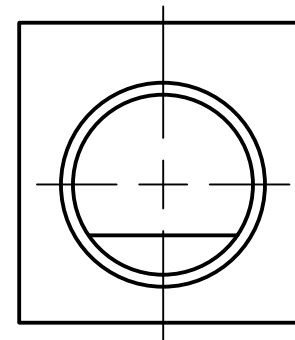
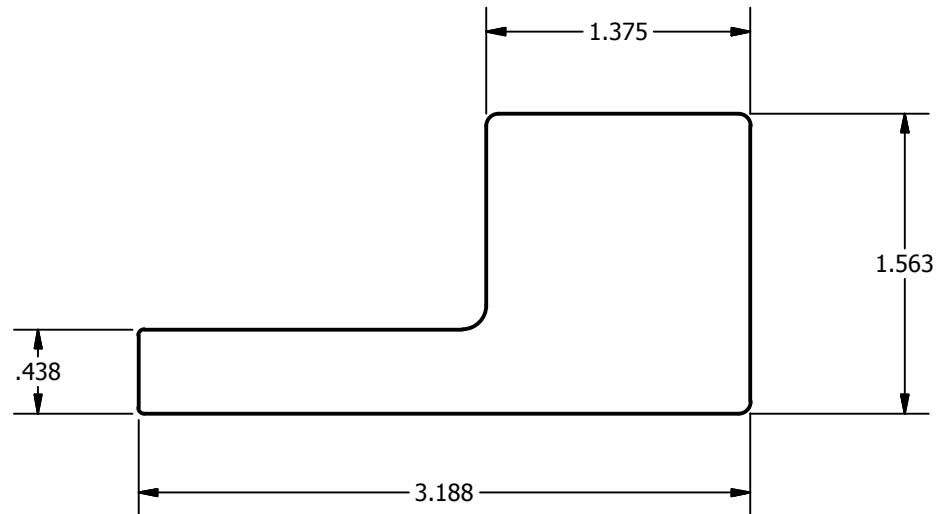
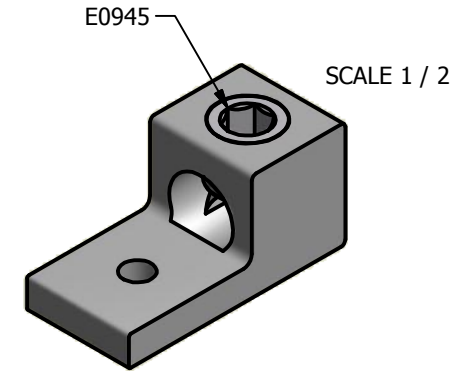
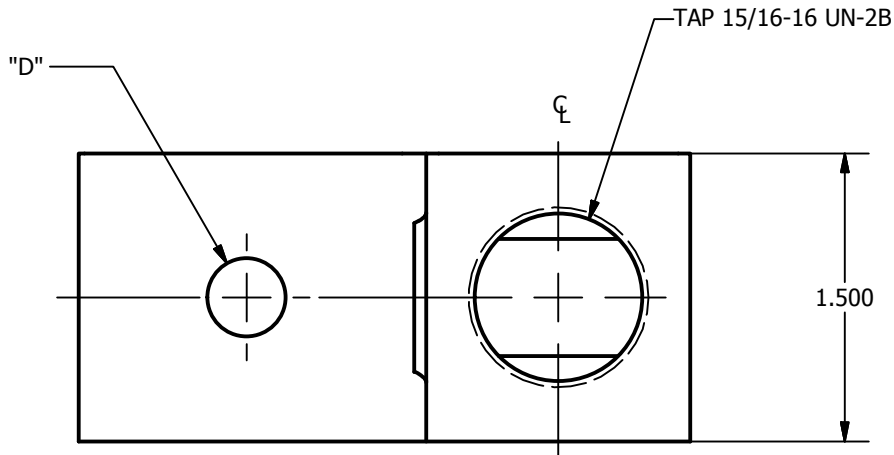


SCREW: E0945	MATERIAL: ALUMINUM	REV: X	 800-776-9775 www.ilsco.com
CAT. NO.: TA-600	PLATING: EL-TIN	DRAWN BY: NN SCALE:1:1	
INFORMATION SHEET: FORM 1	MARKING:  , D1027, TA-600, 600kcmil-2, AL-9CU,	DATE:12/12/2007 SIZE: A	
			
			DWG. NO. D1027 SHEET: 1 OF 1



"D"
.406
.531
.531