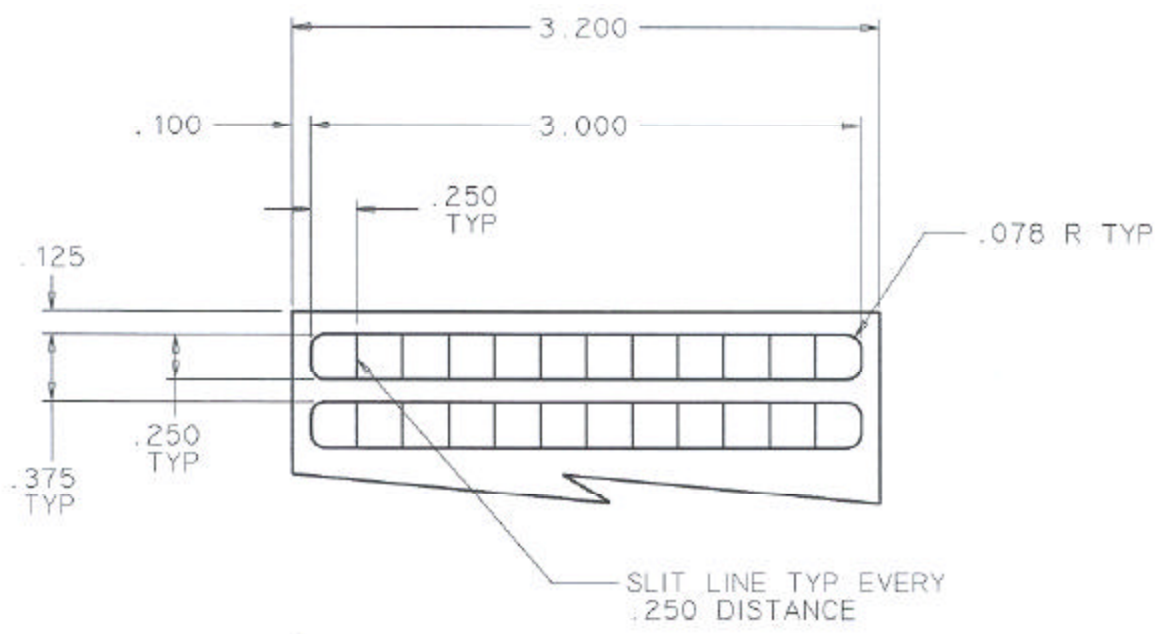


A	001-A			
DWG REV	DASH-REV PART NO.	CHANGED DATE	RELEASED DATE	BY

DESIGN TEAM	INVENTOR(S)/DATE
-------------	------------------

ALL PROPRIETARY RIGHTS
IN THE SUBJECT MATTER
SHOWN ON THIS DRAWING
ARE EXCLUSIVE PROPERTY
OF TYTON CORPORATION

CORPORATION



10,000 WHITE LABELS PER ROLL
12 ACROSS

HellermannTyton
A SPIRENT Company

TAG-70T12-822	LA3002-001-A
CATALOG NUMBER	ENG PART NUMBER - REV

DIMENSIONS	VERIFIED	UNITS	TOLERANCES unless otherwise specified		NAME	PART NAME	TAG-70T12-822 THERMAL TRANSFER BLANK LABEL
	name	<input checked="" type="checkbox"/> in <input type="checkbox"/> mm <input type="checkbox"/> mm in	.XXX= .XX=	.X= <=	DATE		
MATERIAL	date	822 POLYESTER or engineering approved equivalent	drawn	checked	approved	plot date	drive S sheet 1 of 1
			K. A. C.	Fries		4/25/94	scale FULL
						4/25/94	PRODUCTION DRAWING NUMBER
						FORMAT AY VERSION E	LA\PRD\3002001A
						DRAWING NO. WAS	