



3 of 4

529 Thomas Drive, Bensenville, IL 60106 | TF: 888.518.6066 | FX: 630.800.8844 | www.lakecable.com

Specification Sheet

Lake Cable Part #: SVC143ST/X

Description: 14 AWG 3 conductor 7 strand tinned copper with PVC insulation, an aluminum/mylar shield with a stranded tinned copper drain wire and an overall CPE jacket 600V control tray cable, approved for use in SUN RES DIR BUR OIL RES I & II 90°C applications.

1. Conductor

- 1.1. AWG Size & Stranding: 14 AWG 7 Strands Class B
- 1.2. Material: Annealed Tinned Copper
- 1.3. Conductor Count: 3 Conductors

2. Insulation

- 2.1. Material: Polyvinylchloride
- 2.2. Wall Thickness: 0.040"
- 2.3. Color Code: Black, White, Green

3. Assembly

- 3.1. Lay Length: Per UL Standard 1277
- 3.2. Fillers: Non-Hygroscopic Polypropylene - As required for a circular cross-section
- 3.3. Binder: Clear Mylar
- 3.4. Shield: Aluminum/Mylar Tape - 100% coverage
- 3.5. Drain Wire: 18 AWG, 7 Strand Tinned Copper

4. Jacket

- 4.1. Material: Chlorinated Polyethylene
- 4.2. Wall Thickness: 0.045"
- 4.3. Diameter: 0.423"
- 4.4. Color: Black
- 4.5. Ripcord: Yes
- 4.6. Cold Bend Rating: -25°C
- 4.7. Weight: 111 lbs./Mft.

5. Markings

- 5.1. Type: Cable shall be permanently identified via surface inkjet print
- 5.2. Legend: LAKE CABLE E208309 14AWG 3C SHIELDED (UL) TC-ER PVC 600V 90°C DRY/WET CPE JACKET SUN RES DIR BUR OIL RES I & II FT4 "ITL P/N CBL-TC14-03S" "ROHS"
- 5.3. Footage Markers: Yes

6. Standards

- 6.1. Refer to NEC (NFPA 70) article 1277 for installation guidelines
- 6.2. Cable is suitable for use in Class I Division II hazardous locations
- 6.3. UL listed as Type TC-ER per UL Standard 1277 for tray cables
- 6.4. UL approved for Direct Burial, Sunlight and Oil I & II Resistant applications
- 6.5. Cable meets UL 1581 & 1202 (FT-4) 70,000 BTU/HR & ICEA T-29-520 210,000 BTU/HR requirements
- 6.6. Meets ICEA S-73-532, where applicable
- 6.7. All materials used in the manufacture of this cable are RoHS compliant
- 6.8. Made in the USA

ALL SPECIFIED PARAMETERS ARE NOMINAL AND SUBJECT TO VERIFICATION

Your signature constitutes that you have read and agreed to this specification sheet and upon confirmation of your order; this item may be non-cancelable and non-returnable.

Ashley R. [Signature]

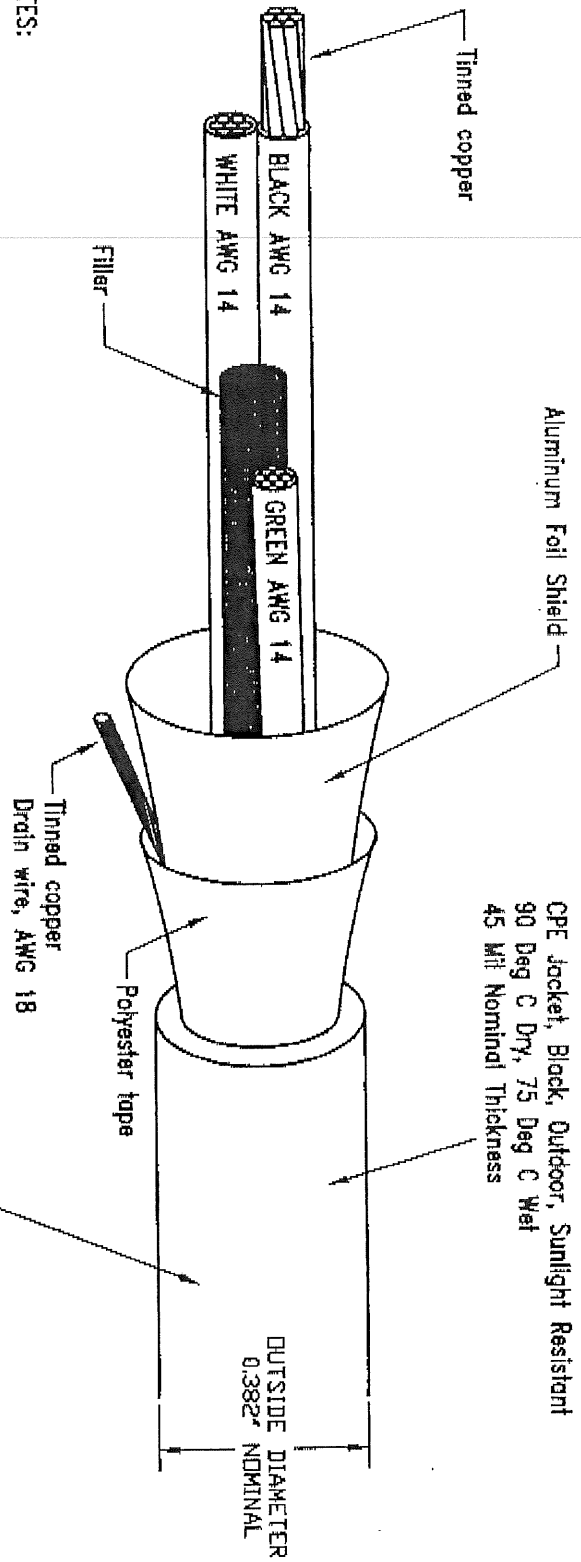
Signature

ITL, LLC

Company

4 of 4

- NOTES:
- 1) UL Type TC-ER rated.
 - 2) Wire color arrangement around filler must be maintained.
 - 3) All conductors are 600V, AC, PVC insulation.
 - 4) AWG 14 Conductors are 7 strand.
 - 4) AWG 18 Drain Wire.



Cable shall be marked with UL & CSA numbers as well as ITL part number as indicated below.
ITL P/N CBL-TC14-03S

CONFIDENTIAL
NO PORTION OF THIS DOCUMENT MAY BE REPRODUCED WITHOUT THE WRITTEN CONSENT OF ITL, LLC

- 1) All dimensions in inches unless otherwise noted.
- 2) All tolerances +/- .015 (1/16)
- 3) Break all sharp edges.

NOTICE
The drawing, information, and subject matter herein are the exclusive, sole, and confidential property of International Tower Lighting, LLC and may not be copied, reproduced, or used in any manner for any purpose whatsoever without written consent in advance from International Tower Lighting, LLC.

REV	DATE	DESCRIPTION	BY	CHK
1	4/13/2012	Original issue of final design and order for UL type TEST		
0	4/10/2012	ISSUED		

F.O. BOX #10305 Nashville, TN 37204, USA TEL: +1 615 256-6600 FAX: +1 615 256-6612 WWW.ITL.COM			
3 CONDUCTOR, 14 AWG, TRAY CABLE TYPE TC-ER	PART NO. CBL-TC14-03S		
SIZE	B	REV	1