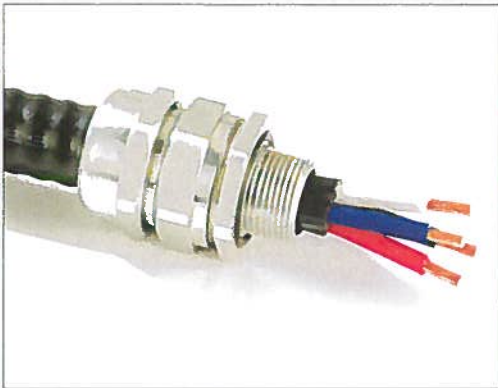




TMC CABLE CONNECTOR



CMP Type TMC Cable Connector suitable for use with Corrugated Interlocked & Continuously Welded Metal Clad (Type MC or MC-HL) or TECK armored and armored & jacketed cables in ordinary, wet & hazardous locations including Class II Division 1 & 2 installations. The cable connector provides mechanical retention and electrical continuity via the armor termination and an environmental seal on the cable outer jacket. In addition this UL listed cable connector also offers Class I Zone 1, AEx e II certification. The re-usable compression spring feature providing both grounding and gripping functions to the cable armor, allows the cable to be easily disconnected from the equipment, for maintenance and change out etc.

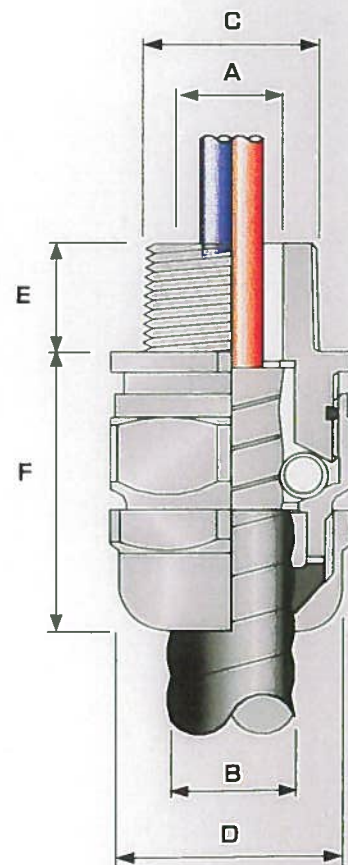
The TMC cable connector offers Nema 4X and IP66 ingress protection and is supplied in Copper Free Aluminum, Stainless Steel, or Electroless Nickel Plated Brass. The TMC is available in NPT (standard) and Metric thread forms, and is ATEX and IEC Ex Certified Ex e II, offering a single solution that can be employed in accordance with both NEC and IEC codes of installation.

Features and Benefits

- > CMP renowned displacement seal provides NEMA 4X and IP66 levels of ingress protection.
- > Additional integral Deluge Proof seal for extra protection in extremely harsh offshore and onshore environments
- > Integral equipment interface 'O' ring seal as standard**
- > Independent sealing and armor clamping
- > True 360° grounding
- > Superior pull out prevention
- > Compact slim profile
- > Reduced installation time - (no disassembly required)
- > Widest cable acceptance range
- > Re-usable design
- > Only 13 connector sizes required
- > Metric option available

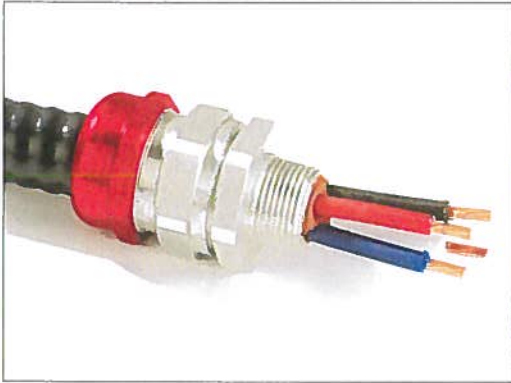
TECHNICAL DATA

Type	TMC
Design Specification	UL 514B, UL 886
CSA Approval Certificate Number	1129339
Code of Protection Category	Class II Div 1 & 2 Groups EFG, Class III Div 1 & 2, Class I Zone 1 Ex e II, Enclosure Type 3, 4 and 4X
Compliance Standards	CAN/CSA-C22.2 No.18-92; CSA Std C22.2 No 25-1966; CSA Std C22.2 No.174-M1984; CAN/CSA-C22.2 No.94-M91; CAN/CSA-E60079-0-2001; IEC 60079-0 1998 (3rd Edition); IEC 60079-1-2004
UL Listing File Number	PJOX.E163112, CYMJ.E256366
Code of Protection Category	Class I, Zone 1 & 2, AEx e II, Ordinary & Wet Conditions
Compliance Standards	UL 514B, UL 886, UL 60079-0, UL 60079-7
ATEX Certification	SIRA 07ATEX1122X
Code Of Protection Category	ATEX II 2 GD Ex e II, Ex ID A21 IP66
Compliance Standards	EN 60079-0:2006, EN 60079-1:2004, EN 60079-7:2003, EN IEC 61241-0:2004, EN IEC 61241-1:2004
IECEX Approval Number	IECEX SIR 07.0083X
Code of Protection Category	Ex e II, Ex ID A21 IP66
Compliance Standards	IEC 60079-0:2004, IEC 60079-1:2003, IEC 60079-7:2006-07, IEC 61241-0:2004, IEC 61241-1:2004
GDST R Certificate Number	POCC GB. ГБ05.Б01912
Code of Protection Category	Ex e II X
Compliance Standards	ГОСТ 51330-0-99; ГОСТ 52350-0-2005; ГОСТ 52350.1-2005; ГОСТ 51330-8-99; ГОСТ 52350.7-2005
GGTN Permit Number	PPC 00-27484
GOST K Certificate Number	KZ7500052.05.01.00063
RoK Permit for Use Number	08-06/7693
Lloyds Approval Number	01/00172
DNV Approval Number	E-8119
ABS Approval Number	01-LD234401A/1-PDA
Continuous Operating Temperature	-60°C to +130°C
Ingress Protection Rating	IP66
NEMA Rating	NEMA 4X
Standard Cable Connector Material	Copper Free Aluminum (<0.4%)
Alternative Cable Connector Material	Electroless Nickel Plated Brass, Stainless Steel
Seal Material	CMP SOLO LSF Thermoplastic Elastomer
Cable Type	Corrugated & Interlocked Metal Clad Armor (MC) or TECK, Continuously Welded Metal Clad Armor (MCHL)
Armor Clamping	Earth Continuity in Contact With Metal Clad Armor
Sealing Technique	CMP Displacement Seal
Sealing Area(s)	Cable Outer Jacket
Optional Accessories	Locknut, Shroud, Entry Thread Seal, Serrated Washer, Earth Tag, Adaptor/Reducer





TMCX CABLE CONNECTOR



CMP Type TMCX Cable Connector suitable for use with Corrugated Interlocked & Continuously Welded Metal Clad (Type MC or MC-HL) or TECK armored and armored & jacketed cables in ordinary, wet & hazardous locations including Class I Division 1 & 2 installations. The cable connector provides a Compound Barrier Seal around the conductors, mechanical retention and electrical continuity via the armor termination and an environmental seal on the cable outer jacket. In addition this UL listed cable connector also offers Class I Zone 1, AEx d IIC certification. The re-usable compression spring feature providing both grounding and gripping functions to the cable armor, allows the cable to be easily disconnected from the equipment, for maintenance and change out etc.

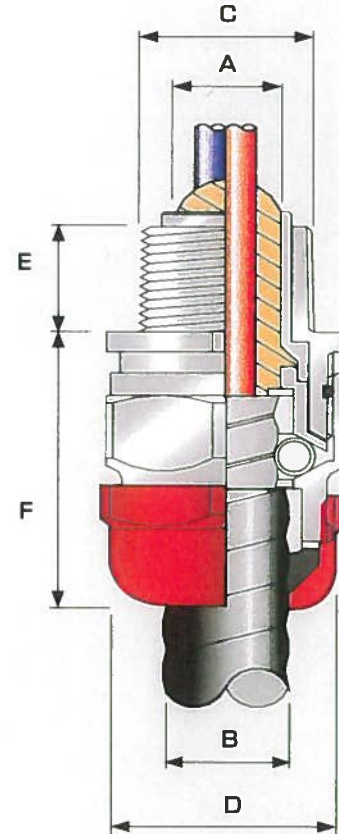
The TMCX cable connector offers Nema 4X and IP66 ingress protection and is supplied in Copper Free Aluminum, Stainless Steel, or Electroless Nickel Plated Brass. The TMCX is available in NPT (standard) and Metric thread forms, and is ATEX and IEC Ex Certified Ex d IIC & Ex e II, offering a single solution that can be employed in accordance with both NEC and IEC codes of installation.

Features and Benefits

- > CMP renowned displacement seal provides NEMA 4X and IP66 levels of ingress protection
- > Additional integral Deluge Proof seal for extra protection in extremely harsh offshore and onshore environments
- > Independent sealing and armor clamping
- > True 360° grounding
- > Superior pull out prevention
- > Compact slim profile
- > Reduced installation time
- > Widest cable acceptance range
- > Supplied complete with epoxy sealing compound
- > Disconnectable design
- > Metric option available

TECHNICAL DATA

Type	TMCX
Design Specification	UL 514B, UL 886, UL 2225, UL 2279
CSA Approval Certificate Number	1129339
Code of Protection Category	Class I, Div 1 & 2, Groups A,B,C,D, Class II, Div 1 & 2, Groups E,F,G, Class III, Div 1 & 2, Class I, Zone 1, Exd IIC/Exe II, Enclosure Types 3,4 and 4X
Compliance Standards	CAN/CSA-C22.2 No.18-92; CSA Std C22.2 No 25-1966; CSA Std C22.2 No.174-M1984; CAN/CSA-C22.2 No.94-M91; CAN/CSA-E60079-0-2001; IEC 60079-0 1998 (3rd Edition); IEC 60079-1-2004
UL Listing File Number	CYMX7 E161256, CYMJ E256366
Code of Protection Category	Class I, Zone 1 & 2, AEx d IIC; Class I, Groups ABCD; Class II, Groups EFG, Ordinary & Wet Conditions
Compliance Standards	UL 514B, UL 886, UL 2225, UL 2227, UL 60079-0, UL 60079-1
ATEX Certification	SIRA 07ATEX1122X
Code Of Protection Category	ATEX II 2 GD Ex d IIC, Ex e II, Ex tD A21 IP66
Compliance Standards	EN 60079-0:2006, EN 60079-1:2004, EN 60079-7:2003, EN IEC 61241-0:2004, EN IEC 61241-1:2004
IECEx Approval Number	IECEx SIR 07.0083X
Code of Protection Category	Ex d IIC, Ex e II, Ex tD A21 IP66
Compliance Standards	IEC 60079-0:2004, IEC 60079-1:2003, IEC 60079-7:2006-07, IEC 61241-0:2004, IEC 61241-1:2004
GOST R Certificate Number	POCC GB ГБ05.В01912
Code of Protection Category	Ex d IIC X / Ex e II X
Compliance Standards	ГОСТ 51330.0-99, ГОСТ 52350.0-2005, ГОСТ 52350.1-2005, ГОСТ 51330.8-99, ГОСТ 52350.7-2005
GGTN Permit Number	PPC 00-27484
GOST K Certificate Number	KZ7500052.05.01.00063
RoK Permit for Use Number	08-06/7693
Lloyds Approval Number	01/00172
DNV Approval Number	E-8119
ABS Approval Number	01-LD234401A/1-PDA
Continuous Operating Temperature	-60°C to +130°C
Ingress Protection Rating	IP66
NEMA Rating	NEMA 4X
Standard Cable Connector Material	Copper Free Aluminum (<0.4%)
Alternative Cable Connector Material	Electroless Nickel Plated Brass, Stainless Steel
Seal Material	CMP SOLD LSF Thermoplastic Elastomer / Epoxy Resin Barrier Compound
Cable Type	Corrugated & Interlocked Metal Clad Armor (MC) or TECK, Continuously Welded Metal Clad Armor (MCHL)
Armor Clamping	Earth Continuity in Contact With Metal Clad Armor
Sealing Technique	CMP Displacement Seal
Sealing Area(s)	Inner Compound Barrier & Cable Outer Jacket
Optional Accessories	Locknut, Shroud, Entry Thread Seal, Serrated Washer, Earth Tag, Adaptor/Reducer



TMC Cable Connector Selection Table

Order Reference			Entry Thread 'C'	Min Thread Length 'E'	Cable Armor Diameter 'A'				Cable Jacket Diameter 'B'		Nominal Assembly Length 'F'	Envelope Diameter 'D'		Shroud Reference*
Aluminum	Electroless Nickel Plated Brass	Stainless Steel			End Stop In		End Stop Out		Min	Max		Across Flats	Across Corners	
					Min	Max	Min	Max						
TMC050SA	TMC050SNB	TMC050SSS	1/2"	0.59	-	-	0.342	0.503	0.354	0.550	2.20	1.18	1.31	PVC06
TMC050A	TMC050NB	TMC050SS	1/2"	0.59	-	-	0.437	0.669	0.510	0.787	2.20	1.42	1.57	PVC09
TMC075A	TMC075NB	TMC075SS	3/4"	0.59	0.591	0.756	0.756	0.917	0.669	1.035	2.20	1.61	1.79	PVC10
TMC100A	TMC100NB	TMC100SS	1"	0.63	0.775	0.969	0.969	1.150	0.910	1.268	2.24	1.96	2.18	PVC13
TMC125A	TMC125NB	TMC125SS	1-1/4"	0.63	1.083	1.228	1.228	1.386	1.161	1.504	2.24	2.16	2.40	PVC16
TMC150A	TMC150NB	TMC150SS	1-1/2"	0.63	1.320	1.461	1.461	1.618	1.402	1.736	2.37	2.36	2.62	PVC18
TMC200SA	TMC200SNB	TMC200SSS	2"	0.63	1.508	1.677	1.677	1.854	1.579	2.008	2.58	2.78	3.06	PVC21
TMC200A	TMC200NB	TMC200SS	2"	0.63	1.772	1.933	1.933	2.087	1.858	2.205	2.49	2.96	3.28	PVC24
TMC250SA	TMC250SNB	TMC250SSS	2-1/2"	0.90	2.052	2.161	2.161	2.320	2.079	2.441	2.50	3.14	3.49	PVC25
TMC250A	TMC250NB	TMC250SS	2-1/2"	0.90	2.247	2.406	2.406	2.545	2.327	2.677	2.52	3.35	3.71	PVC27
TMC300A	TMC300NB	TMC300SS	3"	0.98	2.543	2.776	2.776	2.965	2.622	3.126	3.57	4.33	4.80	PVC32
TMC350A	TMC350NB	TMC350SS	3-1/2"	1.437	2.913	3.291	3.291	3.485	2.992	3.830	4.61	5.25	5.82	-
TMC400A	TMC400NB	TMC400SS	4"	1.437	-	-	3.500	4.020	3.700	4.220	7.66	5.28	5.84	-

All dimensions in inches

Note: *LSF Shrouds also available on request. Marine approvals including Lloyds, DNV & ABS are also available from CMP Products

Please note the following installation requirements :-

- 1) Where explosion proof enclosures are being used the TMC must be installed in conjunction with an approved pouring or compound sealing fitting. In Division 2 locations the TMC can be fitted directly to an enclosure which has no source of ignition in accordance with NEC / CEC requirements
- 2) Connectors with NPT entry threads are suitable for both Divisions and Zones
- 3) Connectors with Metric entry threads are suitable for ZONES only unless fitted with an approved NPT male adaptor in accordance with CEC requirements
- 4) **Integral equipment interface 'O' Ring seal supplied as standard only with aluminum versions.

TMCX Cable Connector Selection Table

Order Reference			Entry Thread 'C'		Min Thread Length 'E'	Cable Armor Diameter 'A'				Cable Jacket Diameter 'B'		Nominal Assembly Length 'F'	Envelope Diameter 'D'		Compound Weight in ounces	Shroud Reference*
Aluminum	Electroless Nickel Plated Brass	Stainless Steel	NPT	Metric		End Stop In		End Stop Out		Min	Max		Across Flats	Across Corners		
						Min	Max	Min	Max							
TMCX050SA	TMCX050SNB	TMCX050SSS	1/2"	M20	0.59	-	-	0.342	0.503	0.354	0.550	2.20	1.18	1.31	1/2	PVC06
TMCX050A	TMCX050NB	TMCX050SS	1/2"	M20	0.59	-	-	0.437	0.669	0.550	0.787	2.20	1.42	1.57	1/2	PVC09
TMCX075A	TMCX075NB	TMCX075SS	3/4"	M25	0.59	0.591	0.756	0.756	0.917	0.669	1.035	2.20	1.61	1.79	1/2	PVC10
TMCX100A	TMCX100NB	TMCX100SS	1"	M32	0.63	0.775	0.969	0.969	1.150	0.910	1.268	2.24	1.96	2.18	1-1/4	PVC13
TMCX125A	TMCX125NB	TMCX125SS	1-1/4"	M40	0.63	1.083	1.228	1.228	1.386	1.161	1.504	2.24	2.16	2.40	1-1/4	PVC16
TMCX150A	TMCX150NB	TMCX150SS	1-1/2"	M50	0.63	1.320	1.461	1.461	1.618	1.402	1.736	2.37	2.36	2.62	2	PVC18
TMCX200SA	TMCX200SNB	TMCX200SSS	2"	M50	0.63	1.508	1.677	1.677	1.854	1.579	2.008	2.60	2.78	3.06	3	PVC21
TMCX200A	TMCX200NB	TMCX200SS	2"	M63	0.63	1.772	1.933	1.933	2.087	1.858	2.205	2.81	2.96	3.28	4-3/4	PVC24
TMCX250SA	TMCX250SNB	TMCX250SSS	2-1/2"	M63	0.90	2.052	2.161	2.161	2.320	2.079	2.441	2.88	3.14	3.49	9-1/2	PVC25
TMCX250A	TMCX250NB	TMCX250SS	2-1/2"	M75	0.90	2.247	2.406	2.406	2.545	2.327	2.677	2.88	3.35	3.71	9-1/2	PVC27
TMCX300A	TMCX300NB	TMCX300SS	3"	M90	0.98	2.543	2.776	2.776	2.965	2.622	3.126	3.92	4.33	4.80	12-1/2	PVC32
TMCX350A	TMCX350NB	TMCX350SS	3-1/2"	M100	1.437	2.913	3.291	3.291	3.485	2.992	3.830	4.61	5.25	5.82	19	-
TMCX400A	TMCX400NB	TMCX400SS	4"	M110	1.437	-	-	3.500	4.020	3.700	4.220	7.66	5.25	5.84	19	-

All dimensions in inches

Note: *LSF Shrouds also available on request. Marine approvals including Lloyds, DNV & ABS are also available from CMP Products

Please note the following installation requirements :-

- 1) Connectors with NPT entry threads are suitable for both Divisions and Zones
- 2) Connectors with Metric entry threads are suitable for ZONES only unless fitted with an approved NPT male adaptor in accordance with CEC requirements.

TPC 166 - Issue 1 - 01/08



Γ605

