

Interfaces

External Hinged Connector Interfaces — Delphi Series

Single-junction, straight and 90° elbow fittings provide high-integrity connections between various Delphi series connectors and Harnessflex® conduit systems.

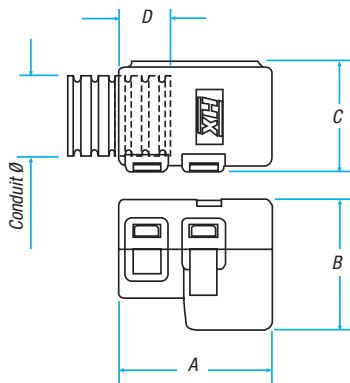
These fittings are designed to snap together over all types of slit and unslit conduit, thus maintaining maximum conduit bore.

In addition, 90° elbow versions allow the conduit to swivel 360° around the connector housing, sufficient to avoid the problems associated with one-piece interfaces of overflexing due to movement or vibration.

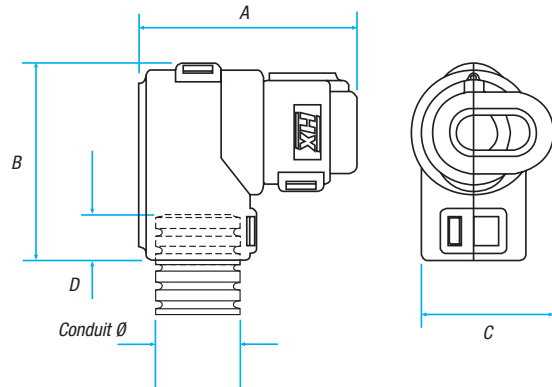
For connector part number reference table, see **page 50**.

NEW

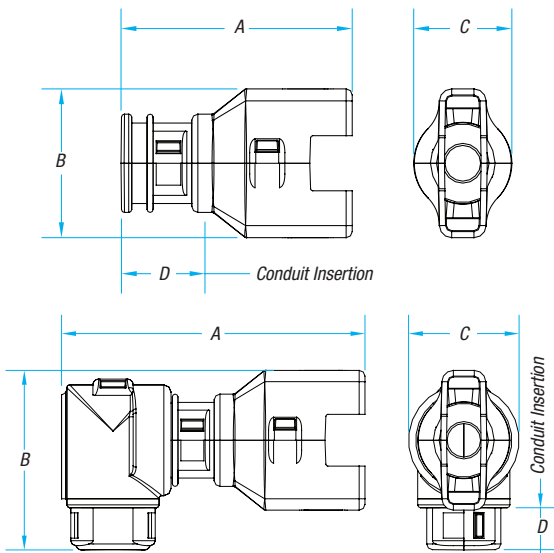
Swivel elbows for NC16 (NW13) are now available for all connector interfaces. Contact Thomas & Betts Technical Support for full details.



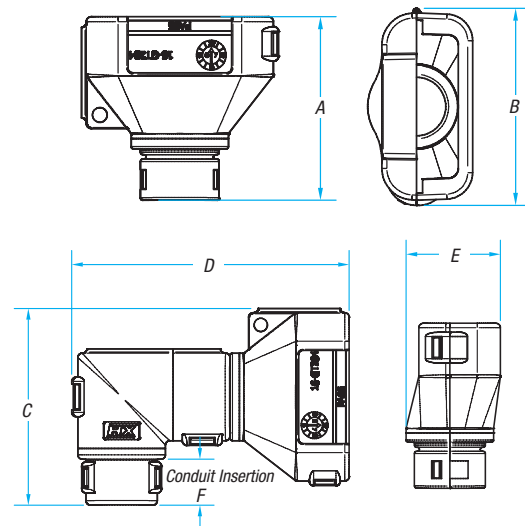
External Straight Connector Interface



External 90° Elbow Connector Interface



GT153 Connector Interface



GT284 Connector Interface

Interfaces

External Hinged Connector Interfaces — Delphi Series (continued)



Configurations

CAT. NO. STRAIGHT INTERFACE	CAT. NO. 90° ELBOW SWIVEL INTERFACE	CONDUIT SIZE		CONNECTOR TYPE
		(NC)	(NW)	
CI08-DE001	CI08-90-DE001	08	7.5	2-Way
CI08-MP2	CI08-90-MP2	08	7.5	2-Way
CI08-MP3	CI08-90-MP3	08	7.5	3-Way
CI08-MMP2	C108-90-MMP2	08	7.5	2-Way
—	CI12-90-MP2	12	10	2-Way
—	CI12-90-MP3	12	10	3-Way
—	CI12-90-MMP3	12	10	2-Way
CI08-WP2	CI08-90-WP2	08	7.5	2-Way
—	CI12-90-WP2	12	10	2-Way
CI08-PTD2	CI08-90-PTD2	08	7.5	2-Way
—	CI12-90-PTD2	12	10	2-Way
CI08-GT153	CI08-90-GT153	08	7.5	—
—	CI12-90-GT153	12	10	—
12-GT284	CI12-90-GT284	12	10	—
16-GT284	CI16-90-GT284	16	13	—

Nominal Dimensions

CAT. NO. STRAIGHT INTERFACE	DIMENSIONS (MM)				CAT. NO. 90° ELBOW SWIVEL INTERFACE	DIMENSIONS (MM)			
	A	B	C	D		A	B	C	D
CI08-DE001	18	17	17	6	CI08-90-DE001	32	30	17.5	7.3
CI08-MP2	20	16	28.9	12.3	CI08-90-MP2	35	42	29.5	7.3
CI08-MP3	43	20	28	10	CI08-90-MP3	56.9	30	20	10
CI08-MMP2	30	17	18	10	CI08-90-MMP2	45	30	19	7.3
—	—	—	—	—	CI12-90-MP2	20	42	30.5	7.3
—	—	—	—	—	CI12-90-MP3	56.9	31	20	10
—	—	—	—	—	CI12-90-MMP2	—	—	—	—
CI08-WP2	31.3	16.1	28.3	10	CI08-90-WP2	45.2	33.3	19.5	10
—	—	—	—	—	CI12-90-WP2	45.2	34.3	19.5	10
CI08-GT153	38	24	16	10	CI08-90-GT153	53	31	19	7
—	—	—	—	—	CI12-90-GT153	53	32	19	10
CI08-PTD2	20.2	20.5	18	14.7	CI08-90-PTD2	33.8	30	22	10
—	—	—	—	—	CI12-90-PTD2	33.8	21	22	10
12-GT284	37.3	21.3	40	29.5	CI12-90-GT284	62.6	44.4	—	10
16-GT284	37.3	21.3	40	29.5	CI16-90-GT284	62.6	44.4	—	—

Catalog Numbering System Reference

REF.	CONNECTOR SYSTEM
MP <i>To suit Metripack</i>	Delphi Metri-Pack
MMP <i>To suit Metripack</i>	Delphi Metri-Pack
WP <i>To suit Weatherpack</i>	Delphi Weatherpack
PTD	Power Timer
GT	Delphi Metri-Pack Series 150 and 180